

[54] PREGNANCY DIAGNOSTIC APPARATUS

[75] Inventor: David S. Byrne, Atlantic Highlands, N.J.

[73] Assignee: Warner-Lambert Company, Morris Plains, N.J.

[**] Term: 14 Years

[21] Appl. No.: 524,257

[22] Filed: Aug. 18, 1983

[52] U.S. Cl. D24/8; D9/341

[58] Field of Search 206/569, 45.34; 128/738; D9/418, 341, 455; D24/17, 99

D. 259,922 7/1981 Seki D9/418

3,579,306 5/1971 Crane 206/569 X

4,122,947 10/1978 Falla 206/569

4,151,833 5/1979 Polishuk 206/569 X

4,246,907 1/1981 Bullock 128/738

Primary Examiner—Bernard Ansher
 Attorney, Agent, or Firm—Gary M. Nath; Daniel A. Scola, Jr.

[57] CLAIM

The ornamental design for a pregnancy diagnostic apparatus, as shown and described.

DESCRIPTION

FIG. 1 is a front perspective view of a pregnancy diagnostic apparatus showing my new design;

FIG. 2 is a front view;

FIG. 3 is a right side view;

FIG. 4 is a top view;

FIG. 5 is a bottom plan view with enclosure; and

FIG. 6 is a bottom plan view without the enclosure.

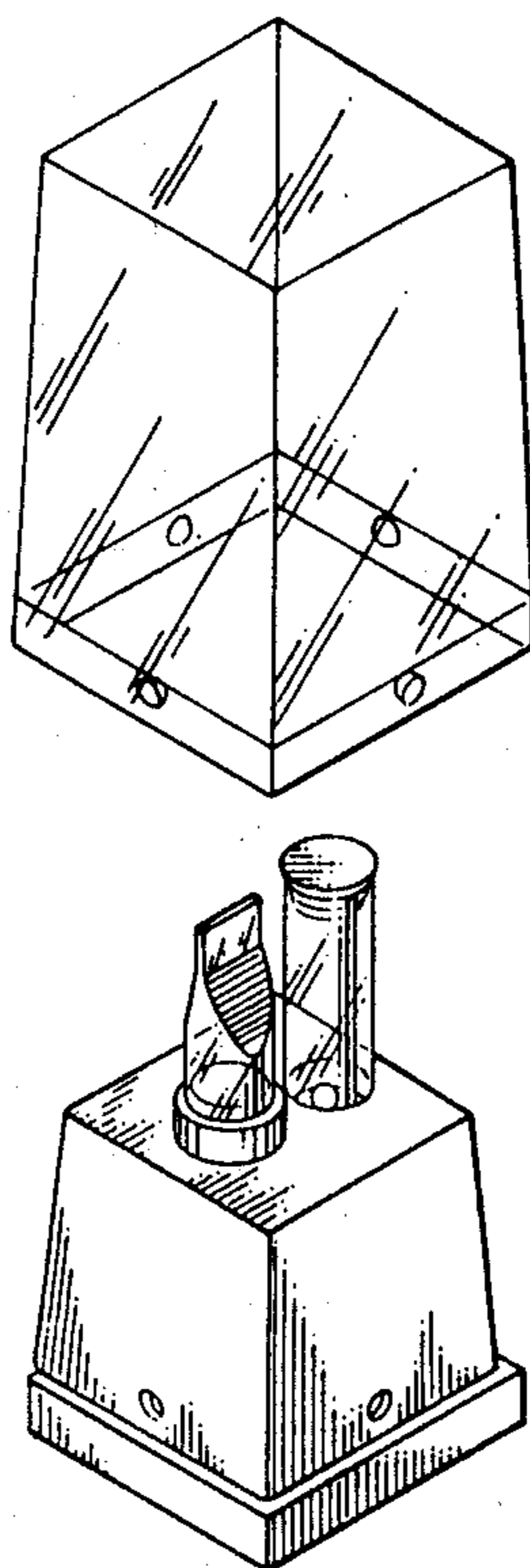
[56] References Cited

U.S. PATENT DOCUMENTS

D. 185,388 6/1959 Peters D24/17 X

D. 241,173 8/1976 Corneille D24/17

D. 241,174 8/1976 Corneille D24/17



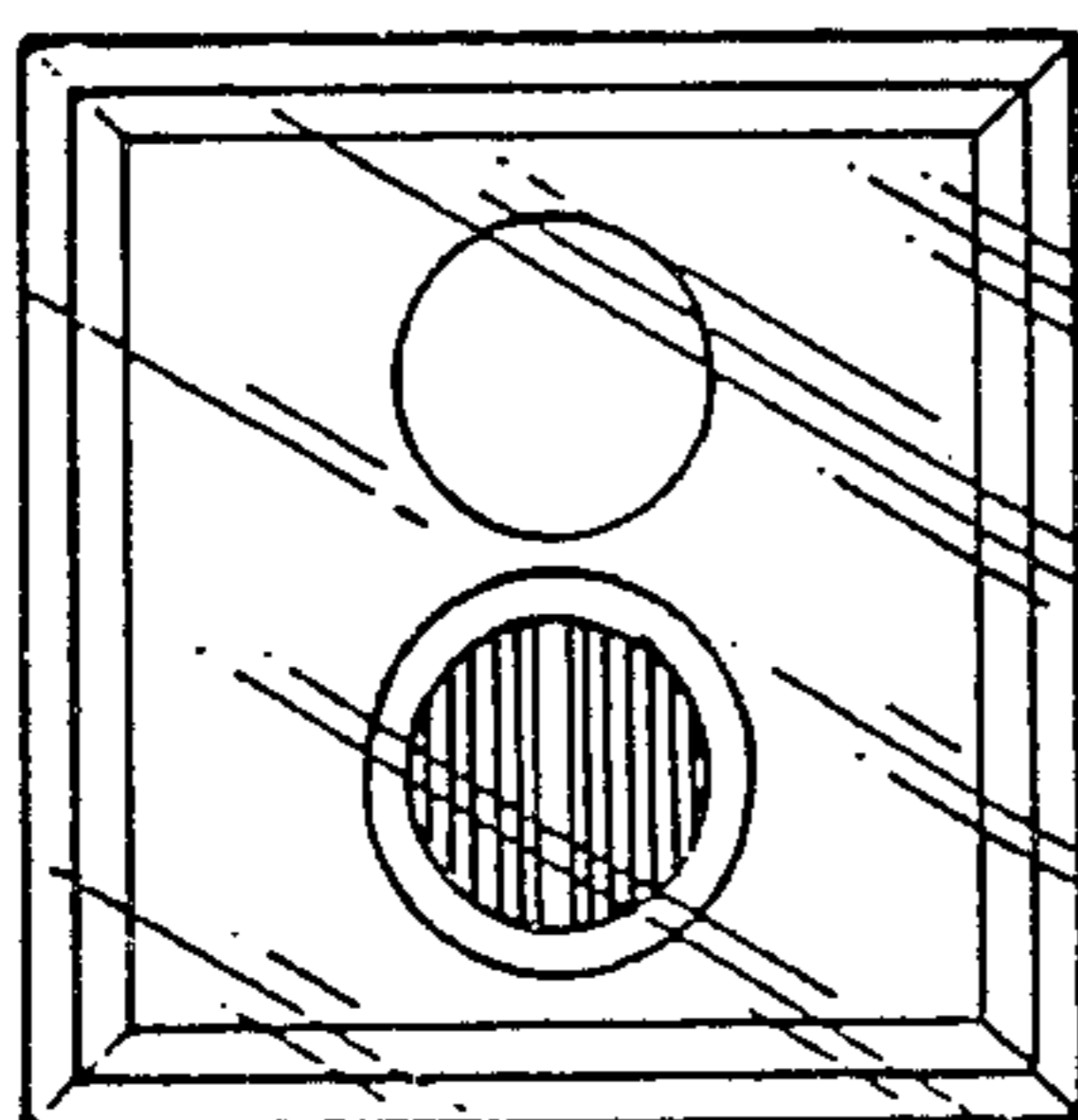
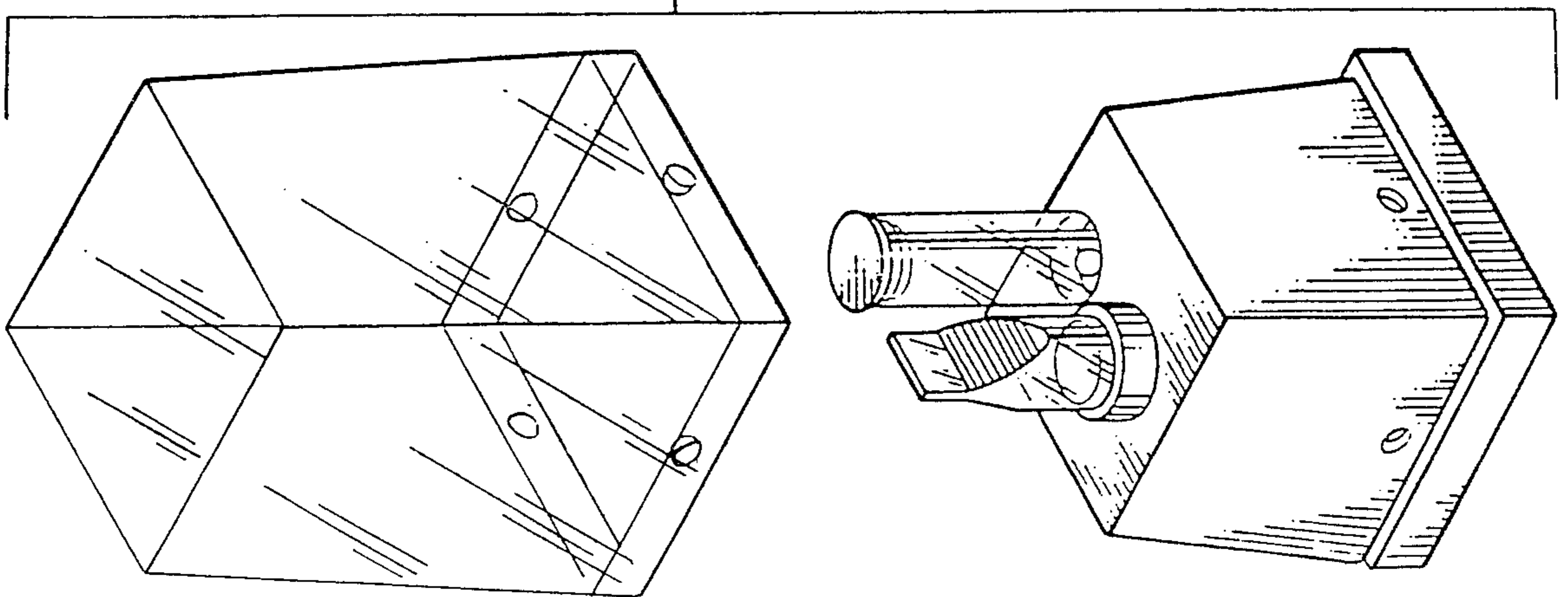


Fig. 4

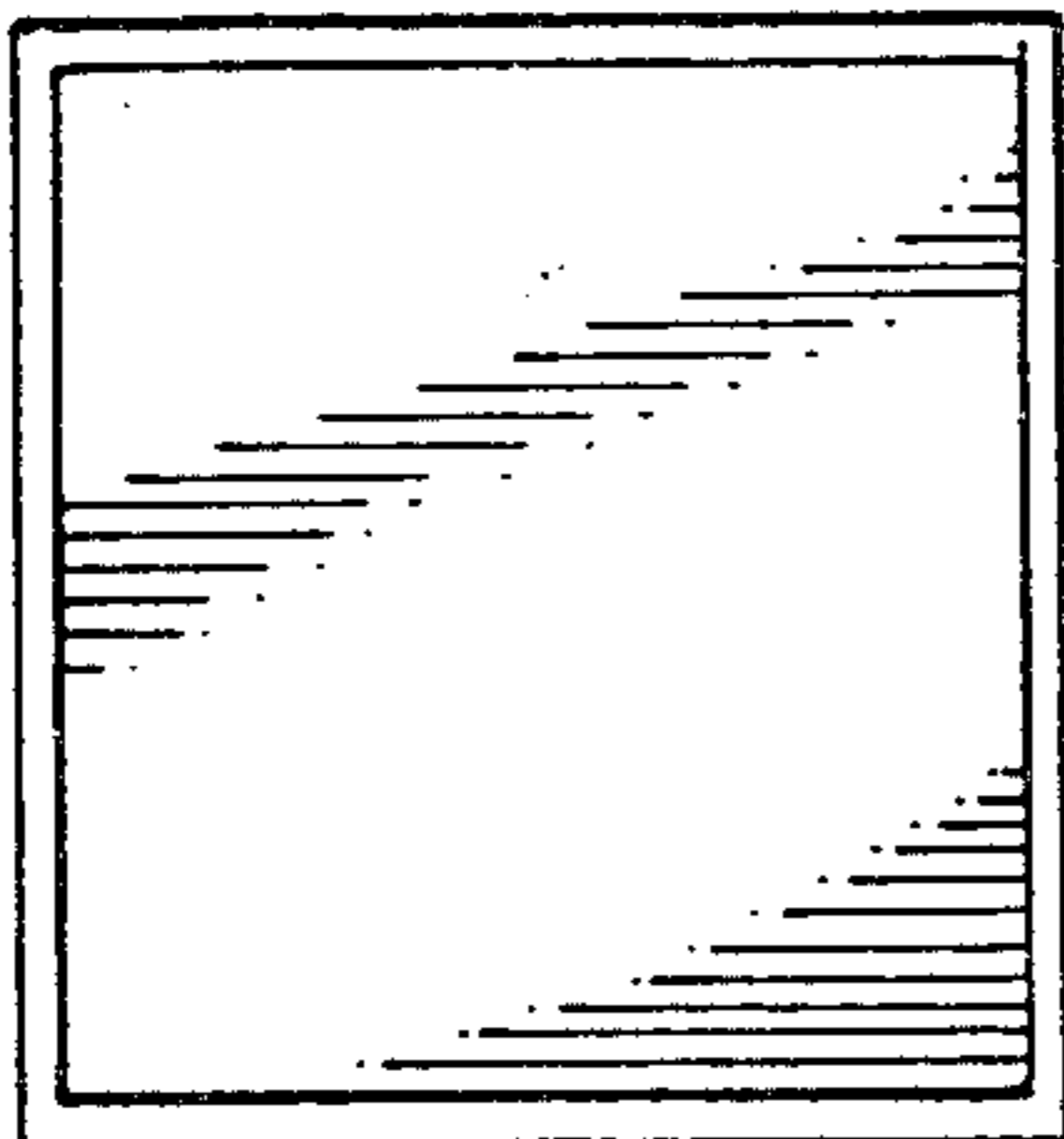


Fig. 5

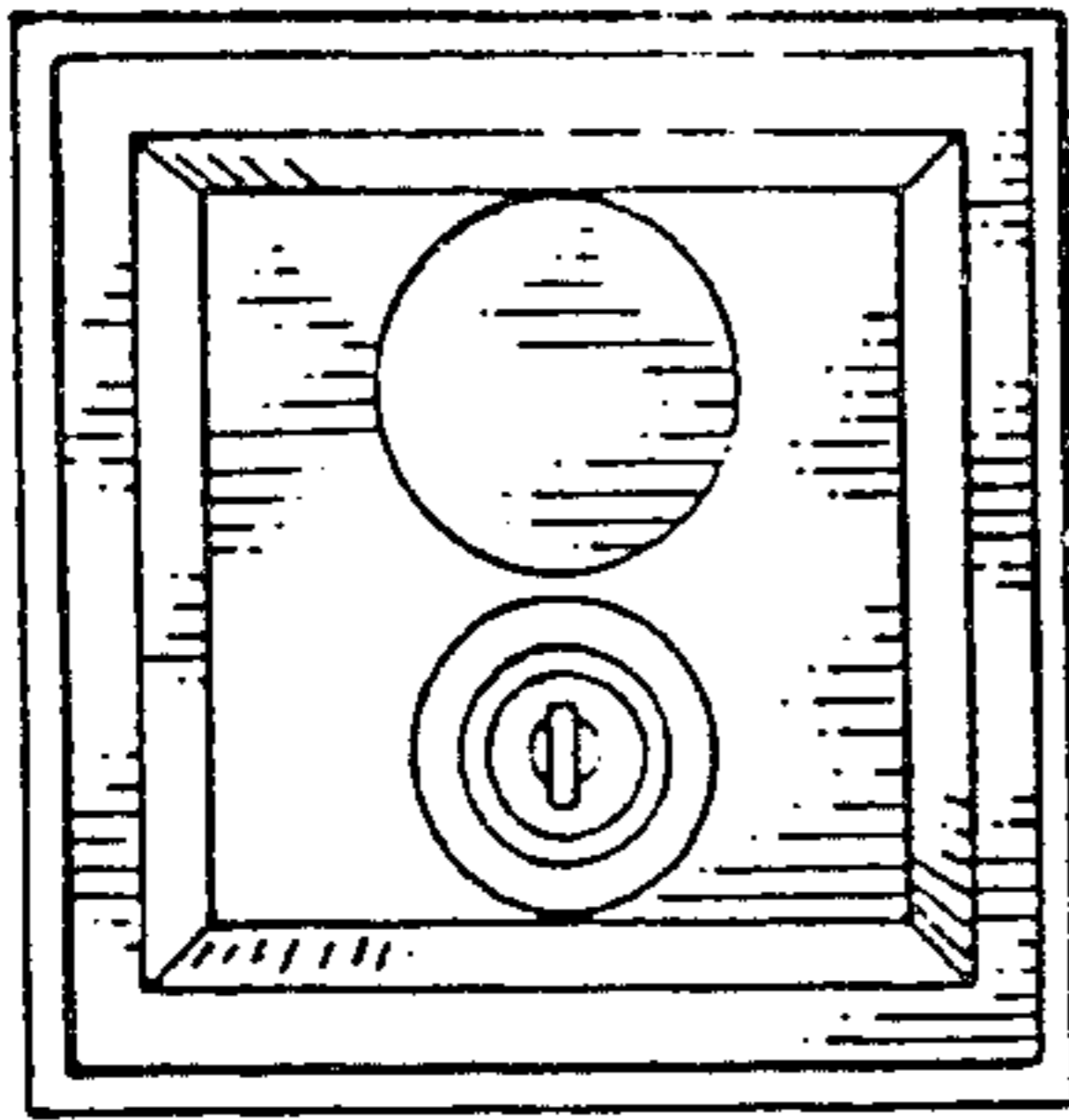


Fig. 6

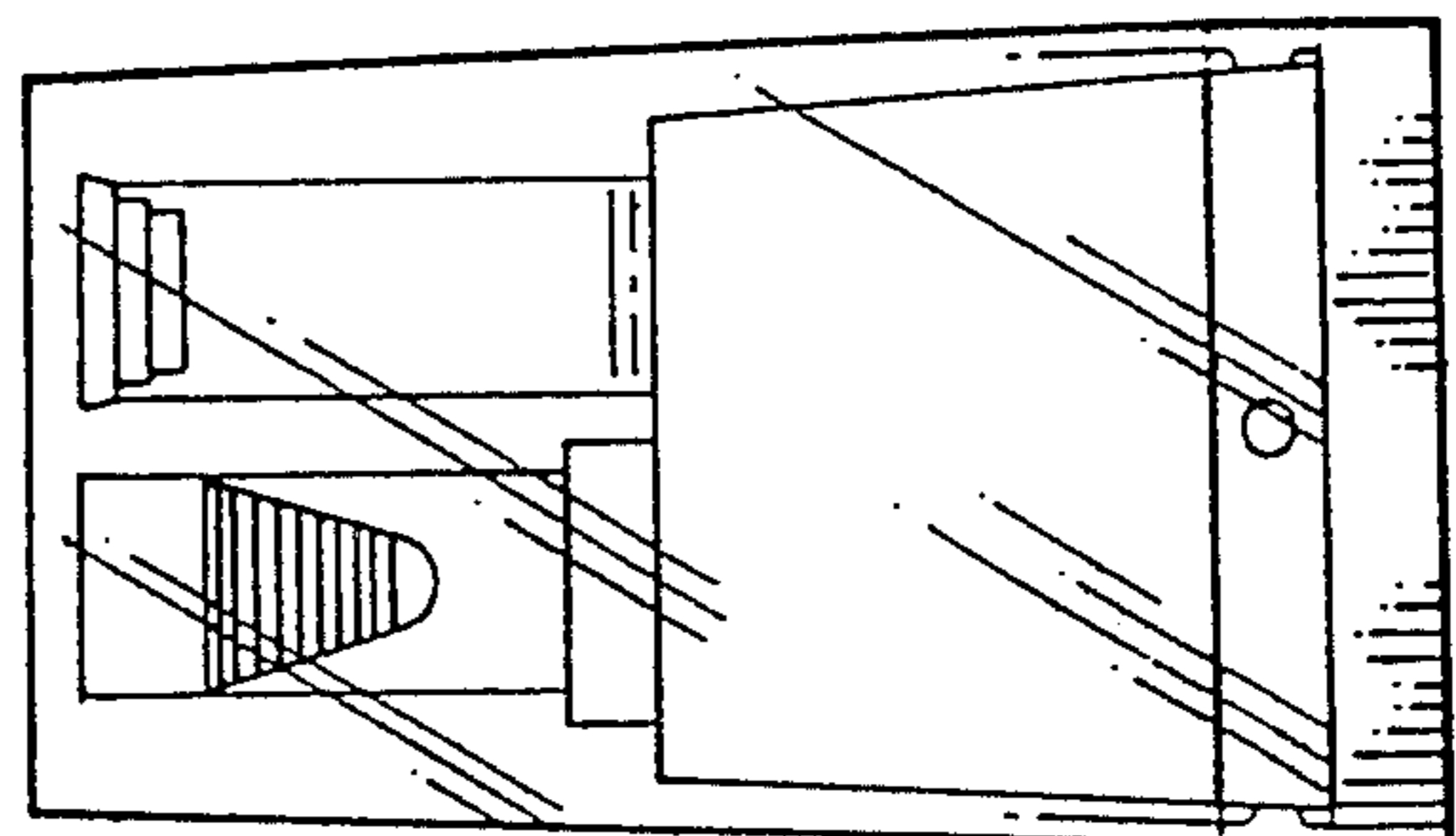


Fig. 2

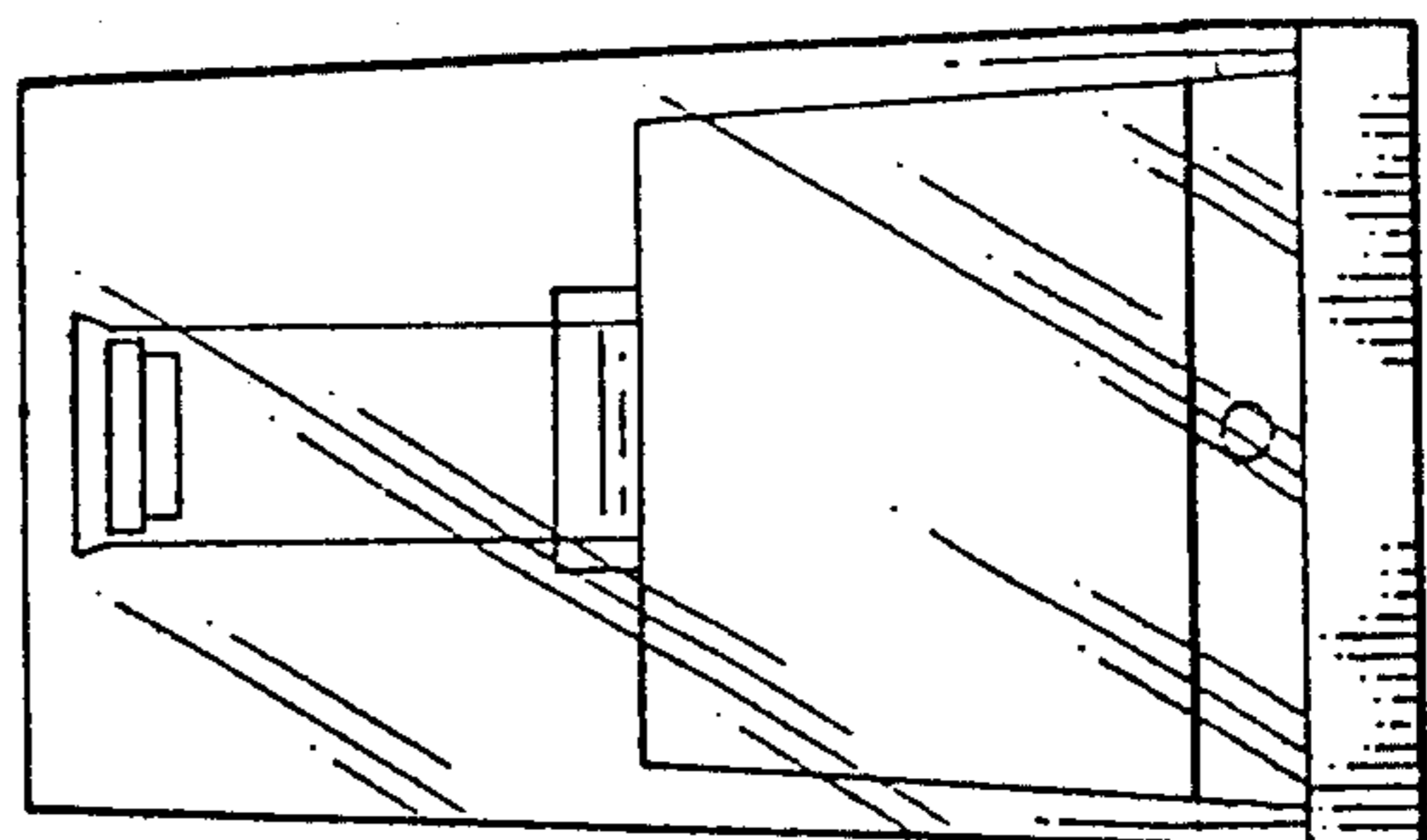


Fig. 3