

[54] FUME VENTILATING WORK STATION FOR LABORATORIES

[75] Inventor: Roland Aberg, Taby, Sweden

[73] Assignee: A.C.C. Air Clean Co., Stockholm, Sweden

[**] Term: 14 Years

[21] Appl. No.: 268,142

[22] Filed: May 27, 1981

[52] U.S. Cl. D23/151

[58] Field of Search D23/139-154; D24/1.1; 98/115 LH

[56] References Cited

U.S. PATENT DOCUMENTS

- D. 149,771 5/1948 Pledger D23/151
- D. 214,375 6/1969 Knab D23/149
- D. 220,324 3/1971 Ott et al. D24/1.1

- D. 221,847 9/1971 Dexter D24/1.1
- D. 242,861 12/1976 Carlson D23/151
- D. 263,737 4/1982 Acero et al. D23/140 X
- 2,702,505 2/1955 Nelson 98/115 LH
- 3,049,069 8/1962 Whiston 98/115 LH
- 3,895,570 7/1975 Eagleson, Jr. 98/115 LH
- 3,926,597 12/1975 Landy 98/115 LH
- 4,179,984 12/1979 Gorcey 98/115 LH

Primary Examiner—James R. Largen

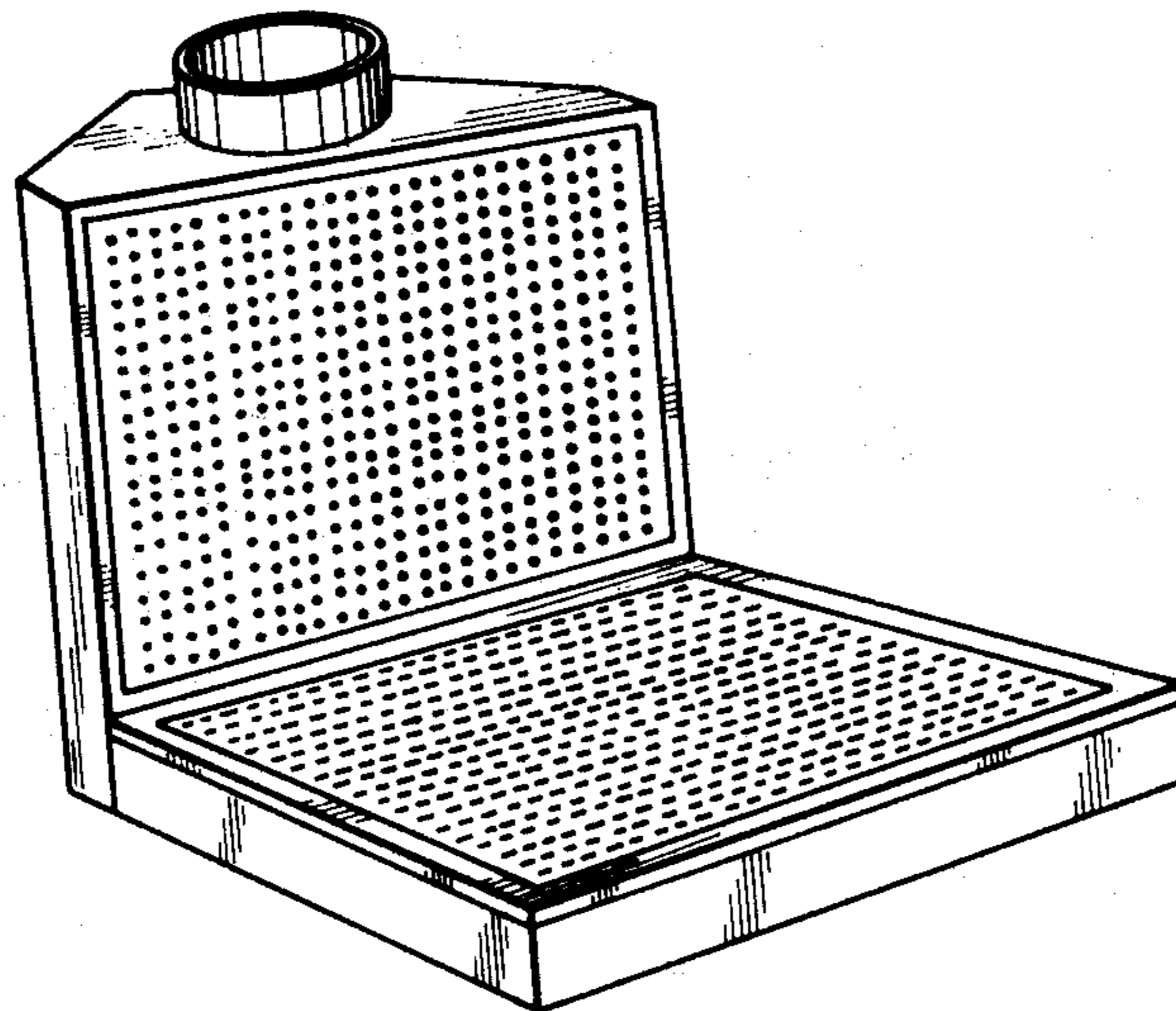
Attorney, Agent, or Firm—Burton, Parker & Schramm

[57] CLAIM

The ornamental design of a fume ventilating work station for laboratories, shown and described.

DESCRIPTION

FIG. 1 is a prospective view taken from the top, front and left side of a fume ventilating work station for laboratories showing my new design; and FIG. 2 is a prospective view taken from the bottom, rear and left side thereof.



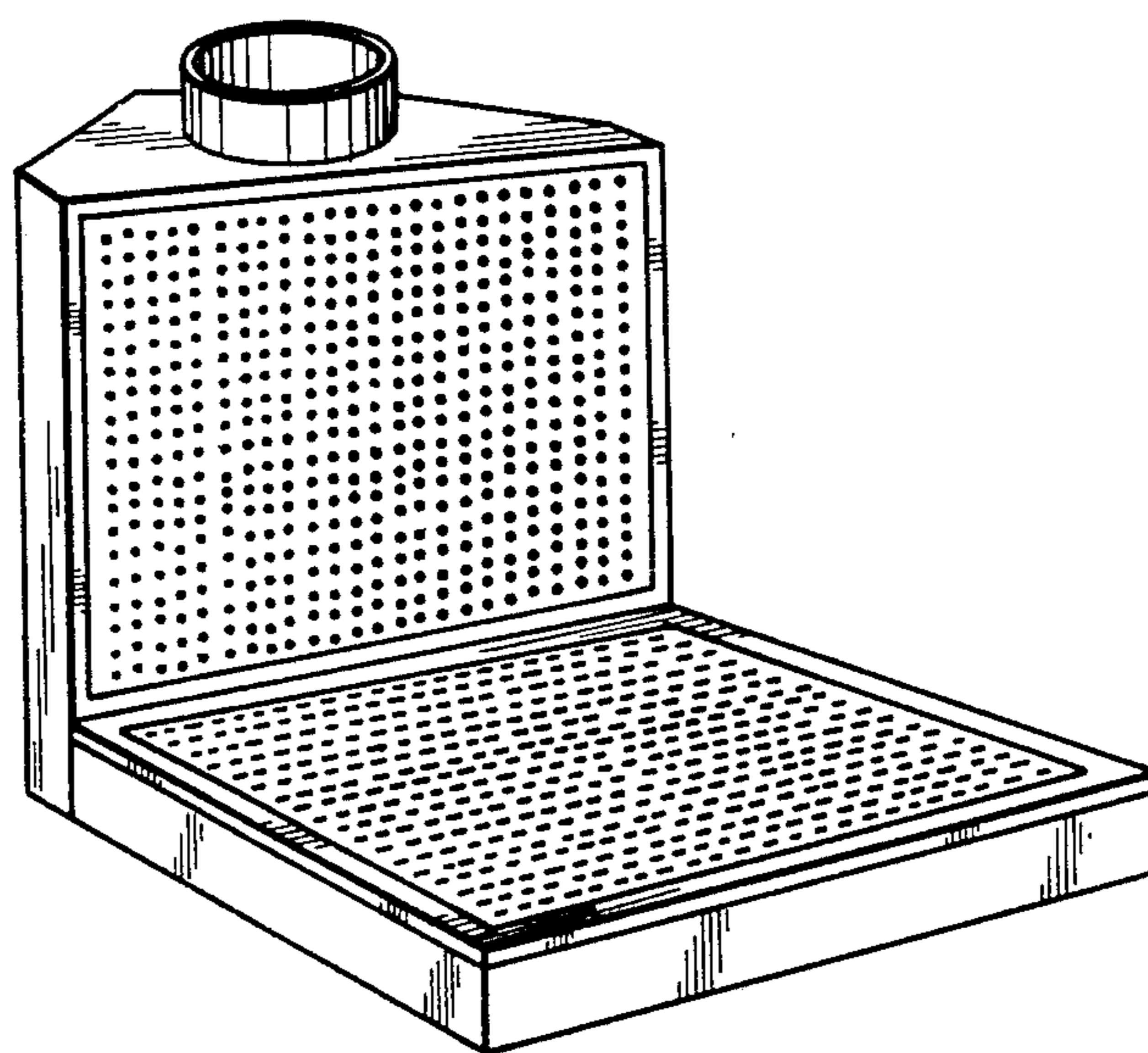


FIG. 1

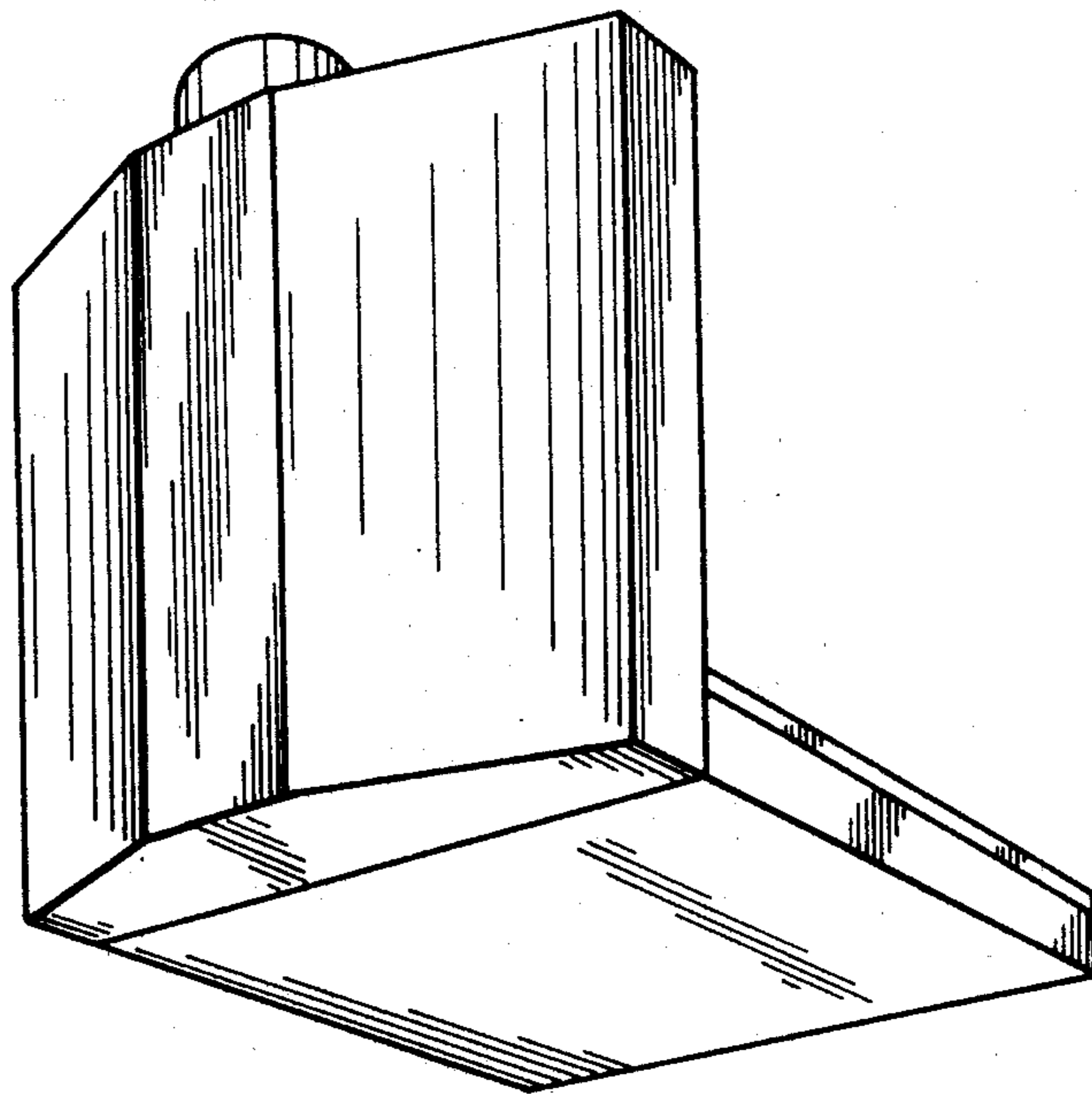


FIG. 2