

[54] ICE SKATE GUARD

[76] Inventor: Donald Shewchuck, 170 Commander Blvd., Agincourt, Ontario, Canada, M1S 3C8

[**] Term: 14 Years

[21] Appl. No.: 354,650

[22] Filed: Mar. 4, 1982

[30] Foreign Application Priority Data

Oct. 2, 1981 [CA] Canada 02-10-81-2

[52] U.S. Cl. D21/225

[58] Field of Search D21/225; 280/825

[56] References Cited

U.S. PATENT DOCUMENTS

D. 189,923 3/1961 Swett D21/225

1,544,770 7/1925 Nathan D21/225
2,181,834 11/1939 Pierce et al. 280/825

Primary Examiner—Melvin B. Feifer
Attorney, Agent, or Firm—Browdy and Neimark

[57] CLAIM

The ornamental design for an ice skate guard, substantially as shown and described.

DESCRIPTION

FIG. 1 is an upper front perspective view of the ice skate guard showing my new design.

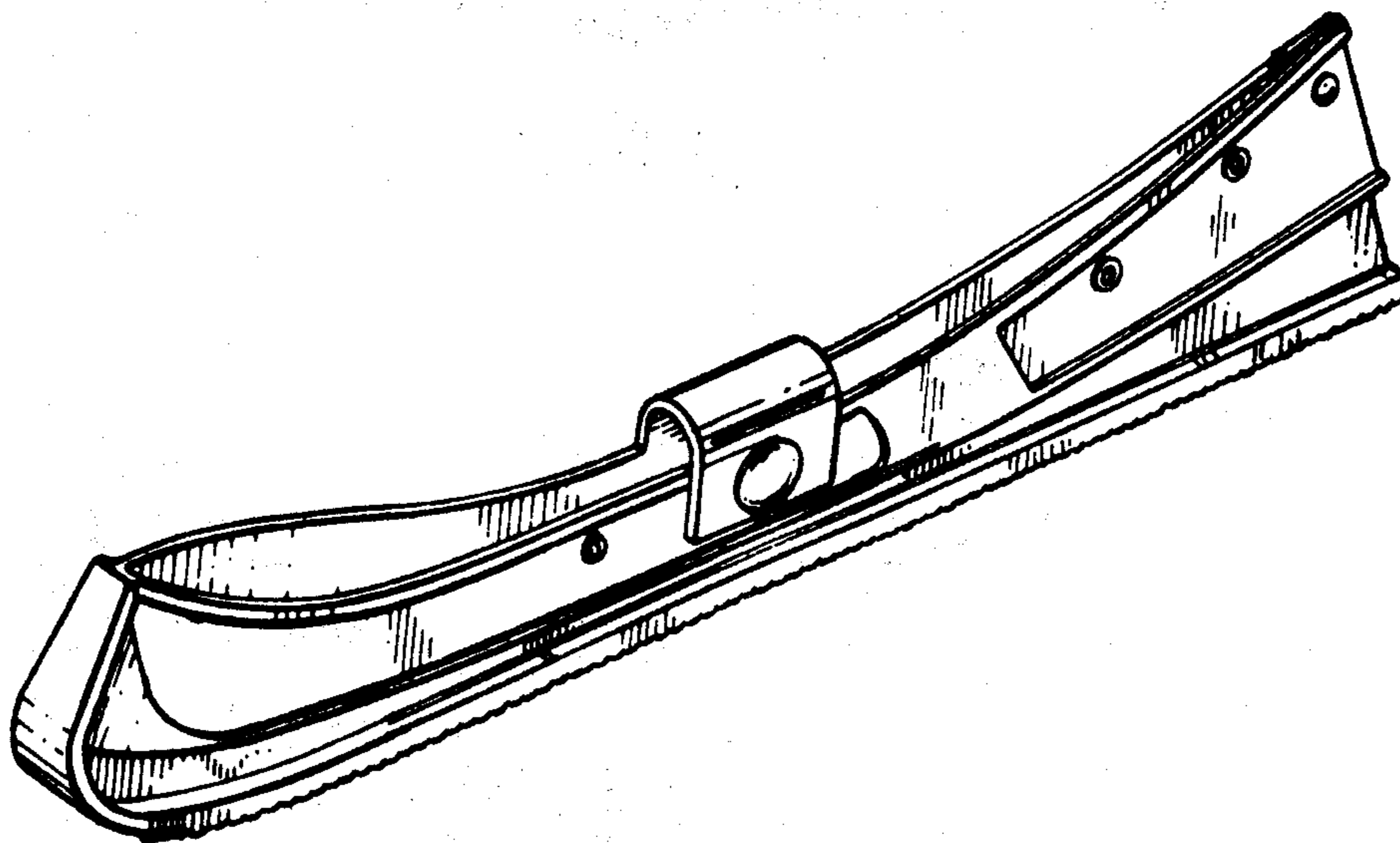
FIG. 2 is a top plan view of the ice skate guard.

FIG. 3 is a rear view of the ice skate guard.

FIG. 4 is an upper front perspective view of a further embodiment of the ice skate guard.

FIG. 5 is a front view of the ice skate guard, and

FIG. 6 is a bottom view of the ice skate guard shown in FIG. 1.



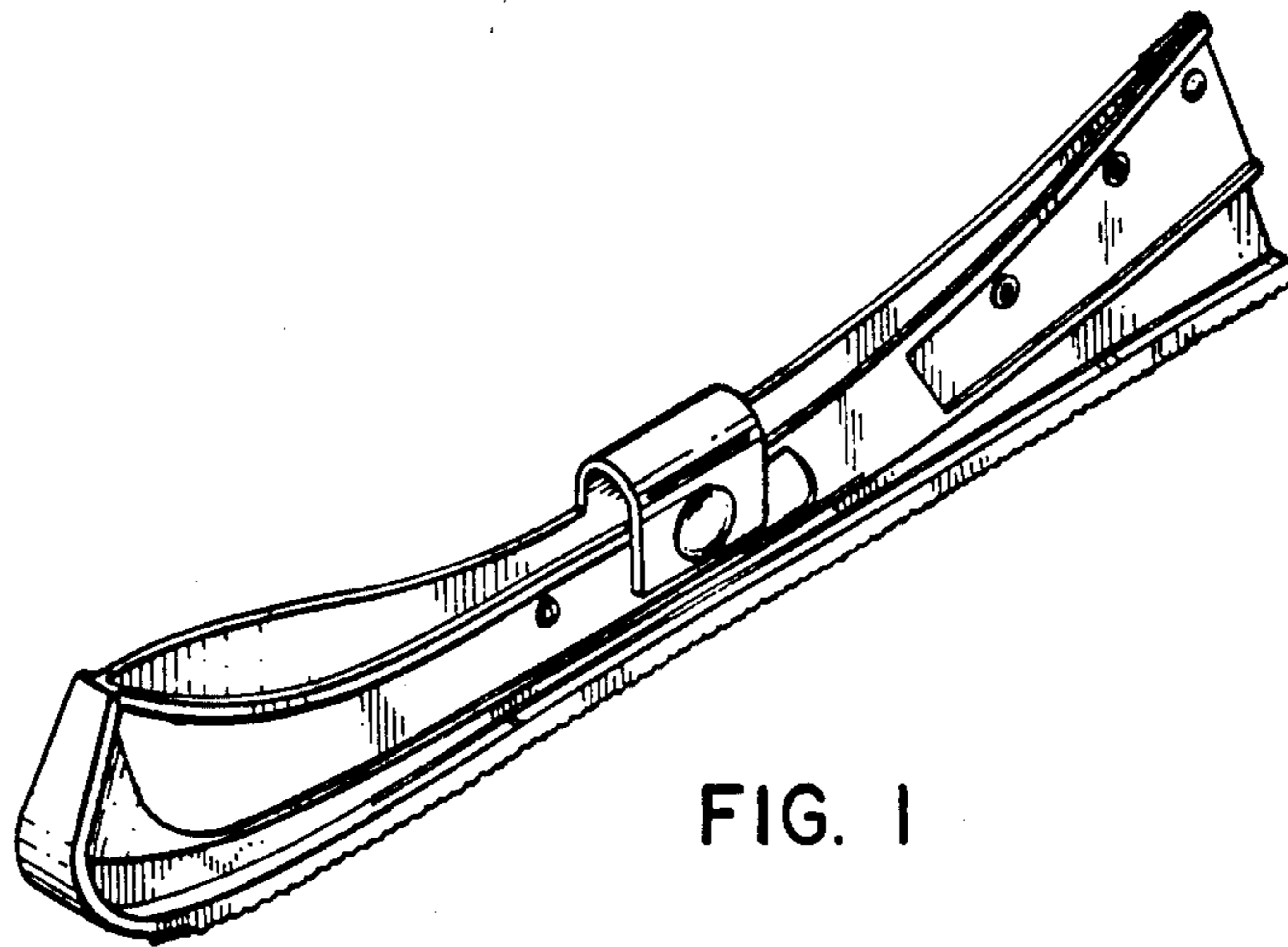


FIG. 1

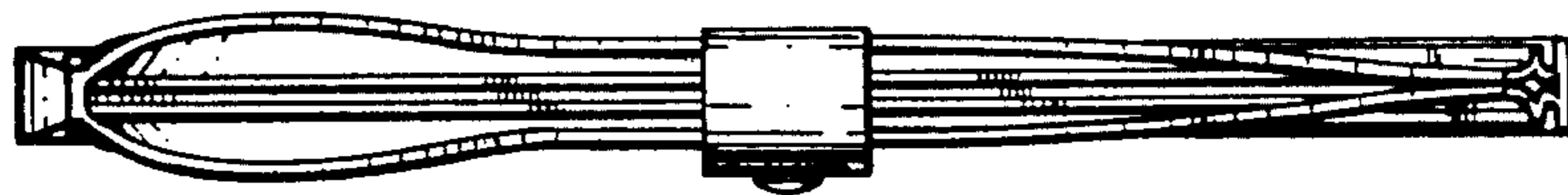


FIG. 2



FIG. 3

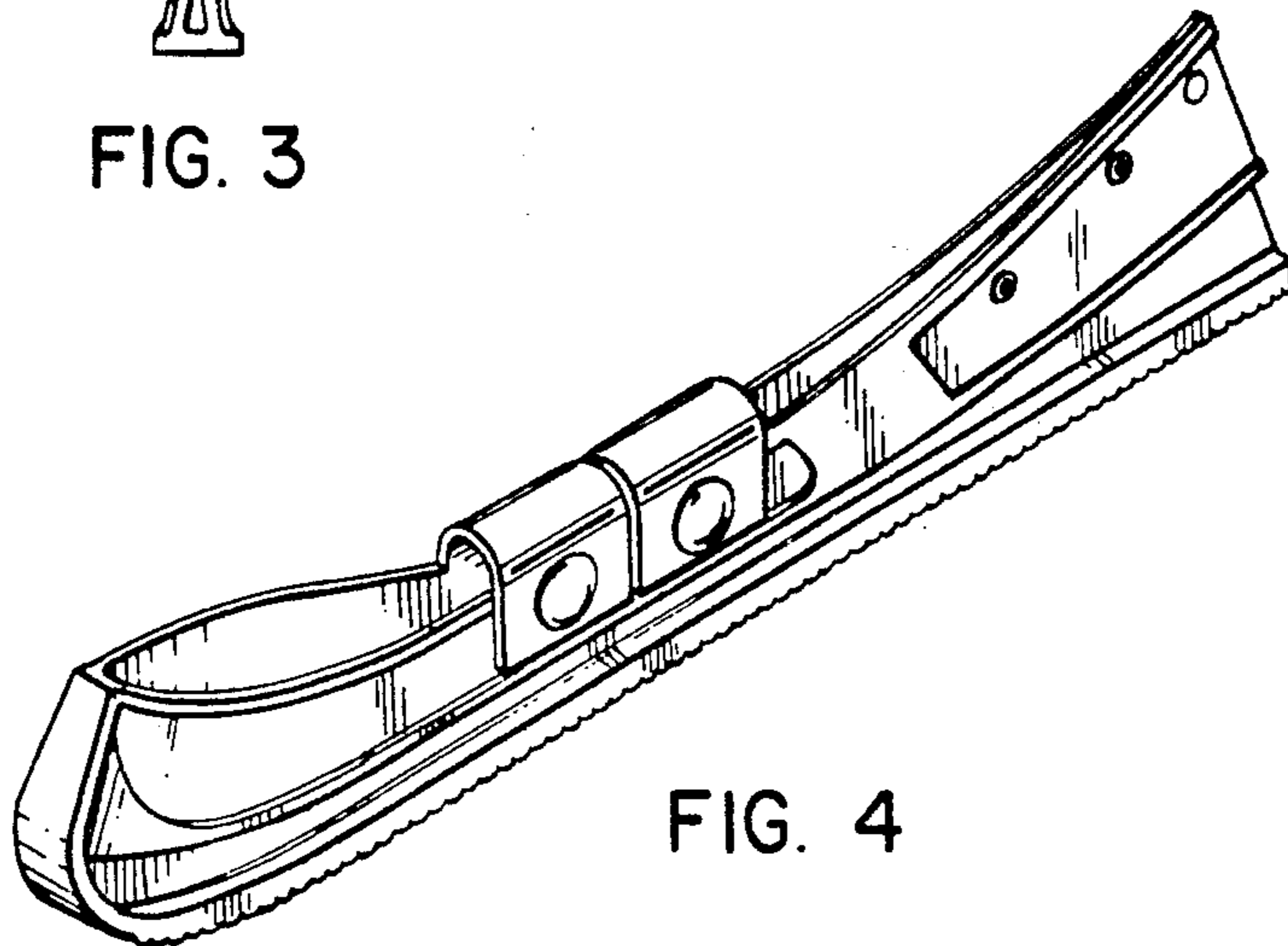


FIG. 4



FIG. 5

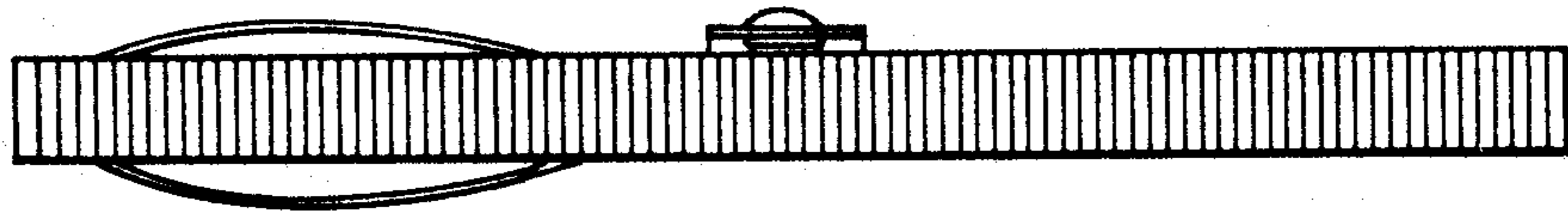


FIG. 6