

[54] TOY CAR

[75] Inventor: Peter M. Santaw, East Aurora, N.Y.

[73] Assignee: The Quaker Oats Company, Chicago, Ill.

[**] Term: 14 Years

[21] Appl. No.: 346,165

[22] Filed: Feb. 5, 1982

[52] U.S. Cl. D21/137

[58] Field of Search D21/128-140;
46/201, 204, 210, 222, 116

[56] References Cited

U.S. PATENT DOCUMENTS

- D. 218,738 9/1970 Moore et al. D21/137
- D. 256,703 9/1980 Munn D21/137

3,959,920 6/1976 Ieda 46/201

OTHER PUBLICATIONS

Sears Wish Book, 1980, p. 623, Toy Car at top right corner of page.

Primary Examiner—Charles A. Rademaker
Attorney, Agent, or Firm—Cumpston & Shaw

[57] CLAIM

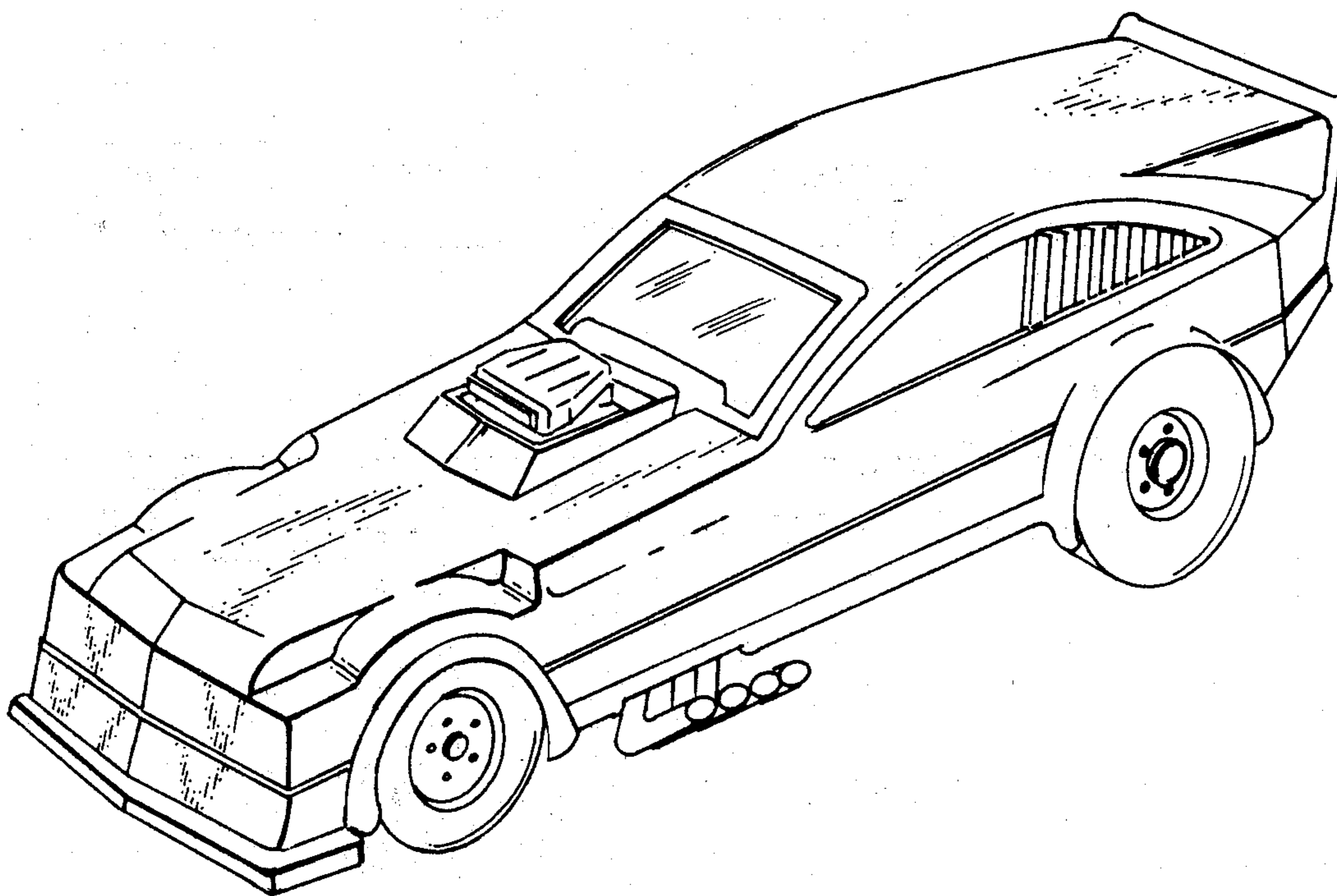
The ornamental design for a toy car, substantially as shown and described.

DESCRIPTION

FIG. 1 is a side perspective view of a toy car showing my new design, the side opposite being substantially a mirror image;

FIG. 2 is a bottom plan view thereof; and

FIG. 3 is a rear elevational view thereof.



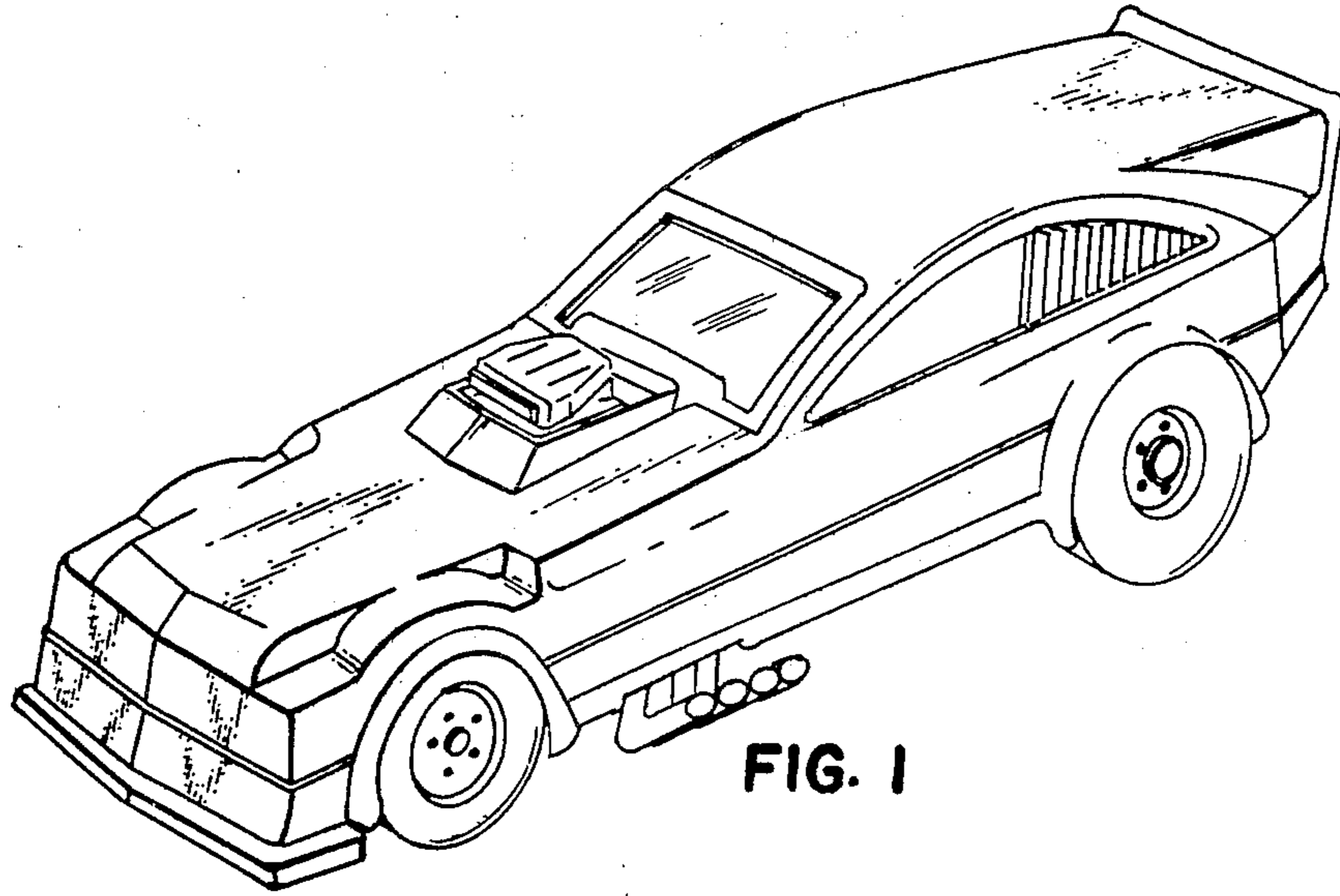


FIG. 1

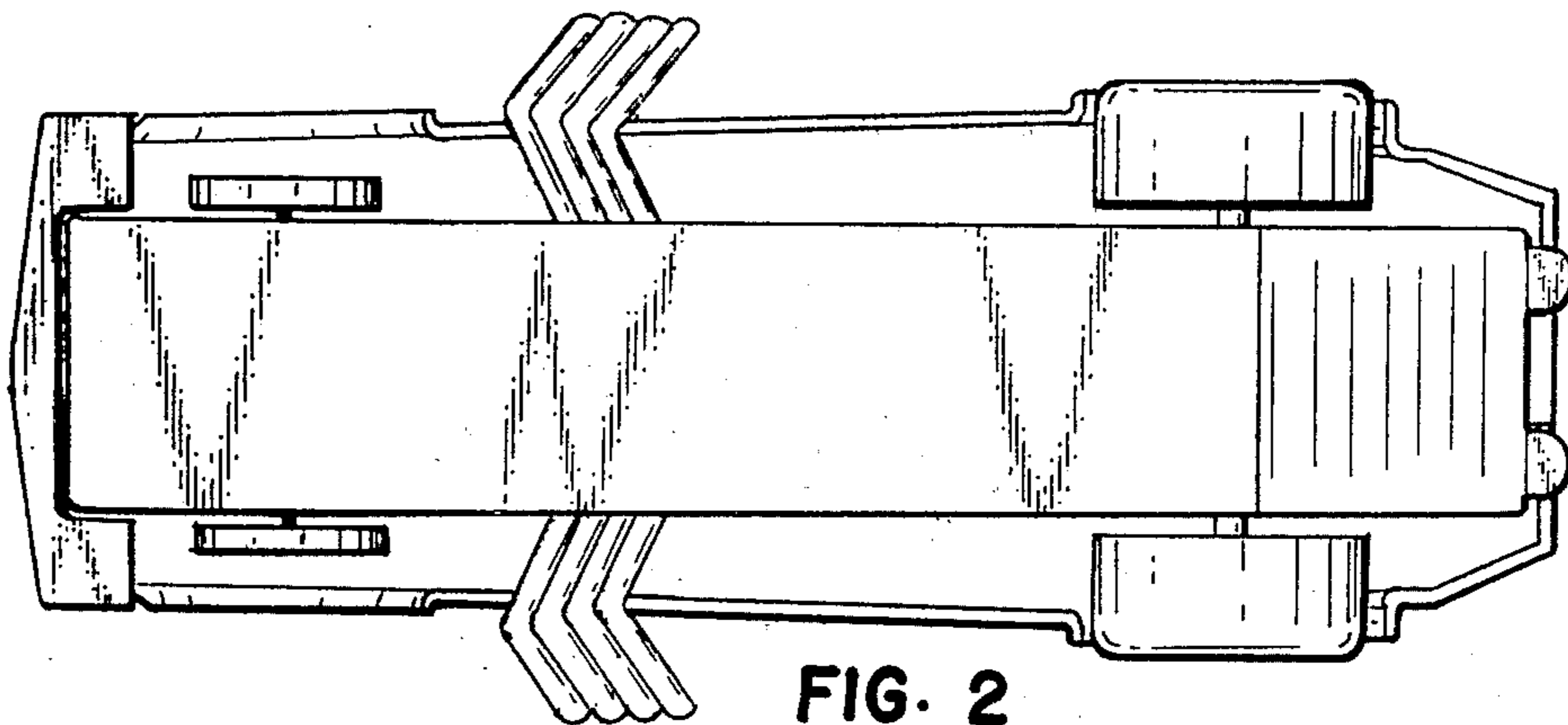


FIG. 2

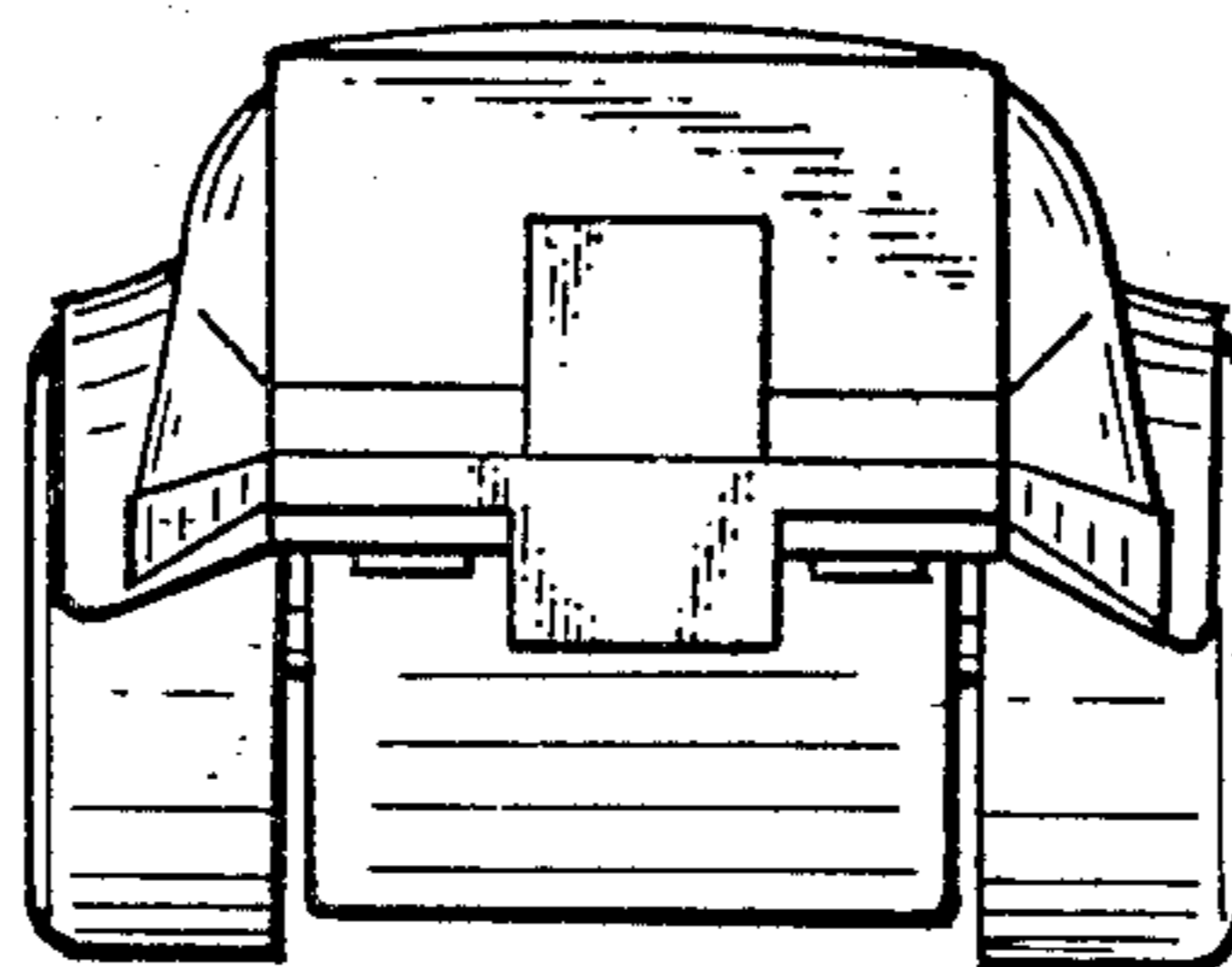


FIG. 3