

[54] TOY TRUNK

2,117,166 5/1938 Hestes D3/70

[75] Inventor: Larry R. Nagode, East Aurora, N.Y.

OTHER PUBLICATIONS

[73] Assignee: The Quaker Oats Company, Chicago, Ill.

Sears Wish Book, 1979, p. 517, Item #17, Toy Doll Trunk.

[**] Term: 14 Years

Primary Examiner—Charles A. Rademaker
Attorney, Agent, or Firm—Cumpston & Shaw

[21] Appl. No.: 346,182

[57] CLAIM

[22] Filed: Feb. 5, 1982

The ornamental design for a toy trunk, substantially as shown and described.

[52] U.S. Cl. D21/121

[58] Field of Search 46/2, 1 R, 11; D21/59, D21/109, 121; D3/30.1, 70

DESCRIPTION

[56] References Cited

U.S. PATENT DOCUMENTS

- D. 88,346 11/1932 Fleisig D21/121
- D. 258,175 2/1981 Hazeltine D3/70
- D. 261,671 11/1981 Livesey D21/109
- 903,668 11/1908 Carl D3/70

FIG. 1 is a front elevational view of a toy trunk showing my new design;

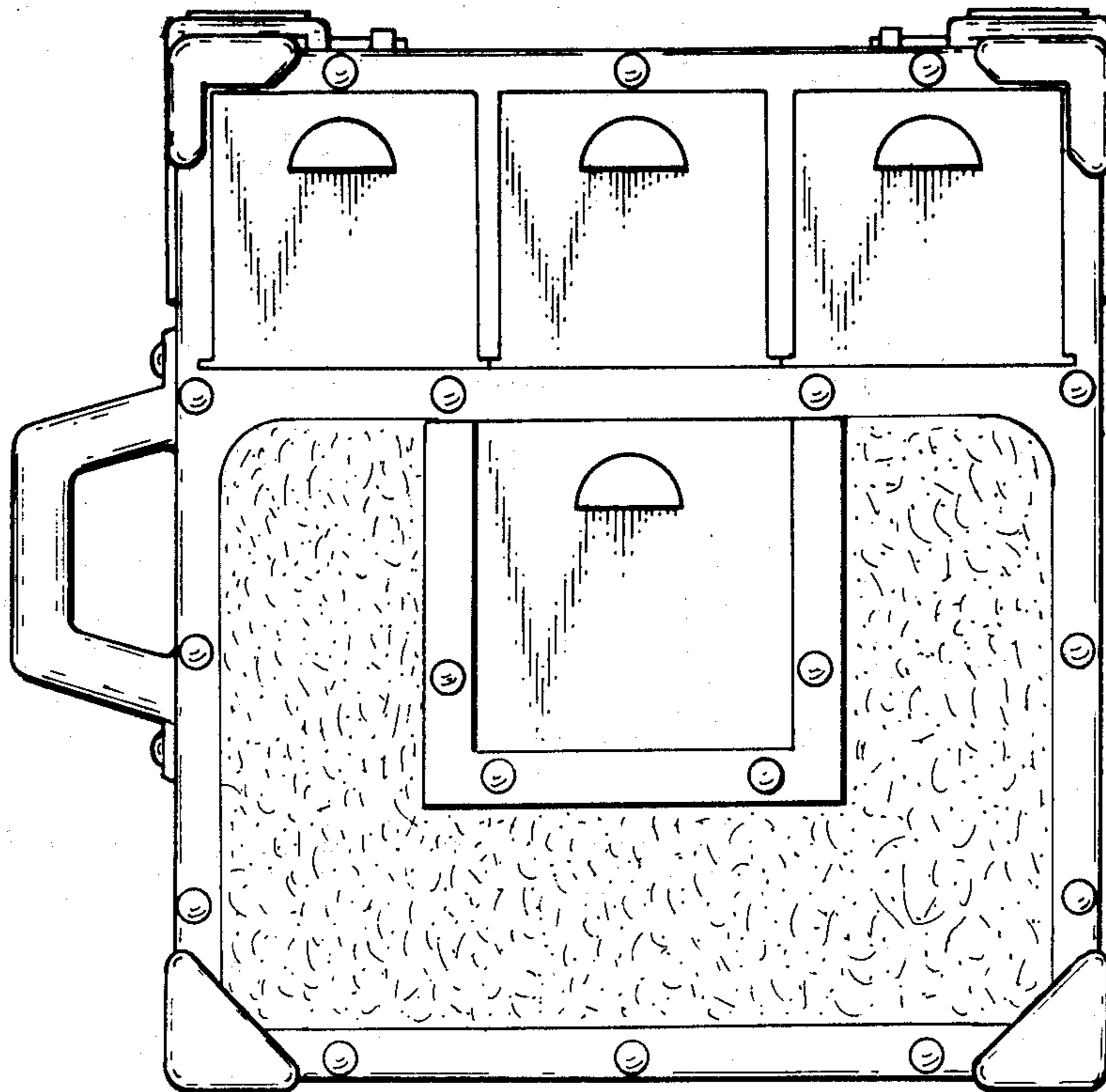
FIG. 2 is a top plan view thereof;

FIG. 3 is a rear elevational view thereof;

FIG. 4 is a bottom plan view thereof;

FIG. 5 is a right side elevational view thereof; and

FIG. 6 is a left side elevational view thereof.



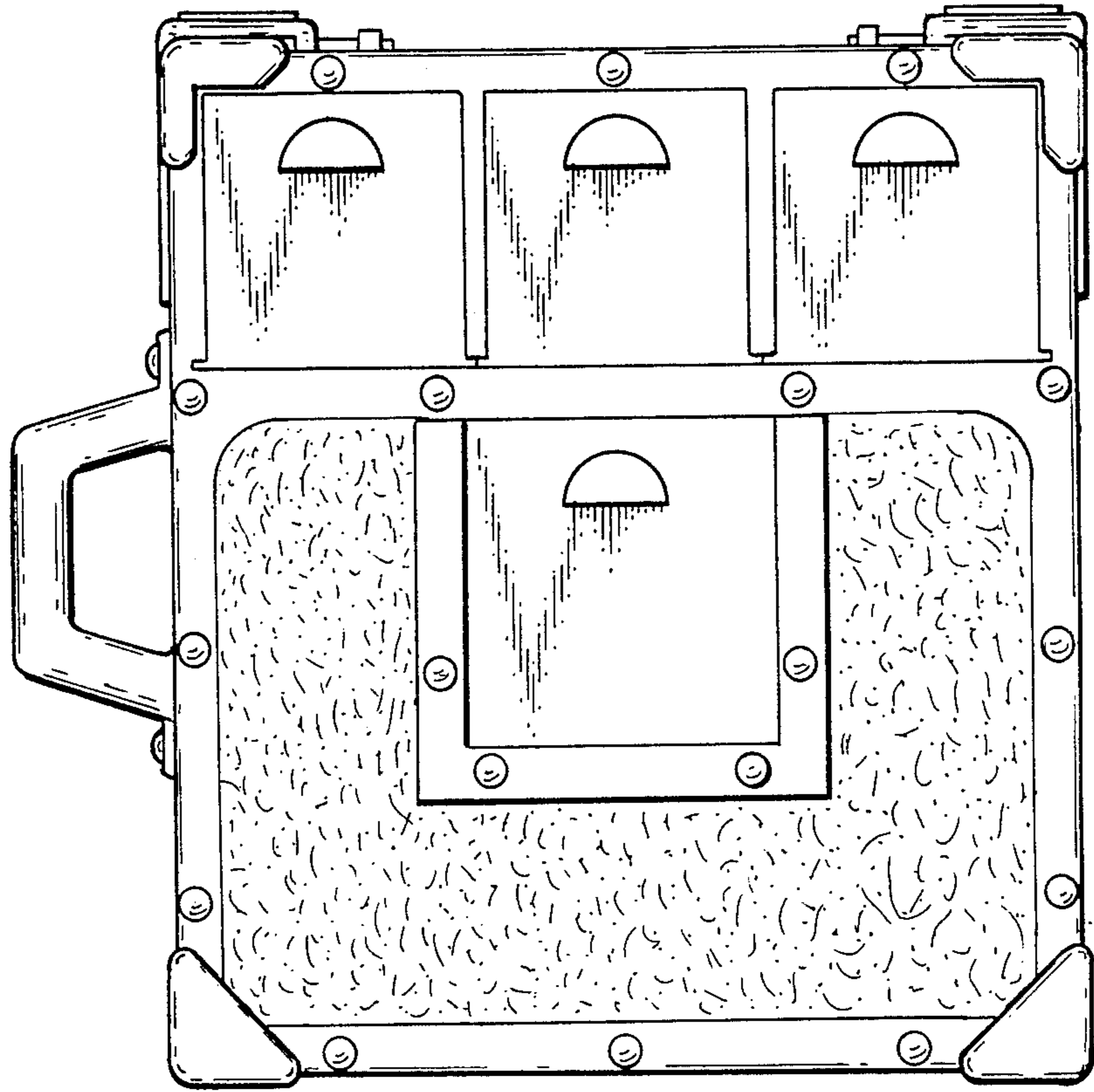


FIG. 1

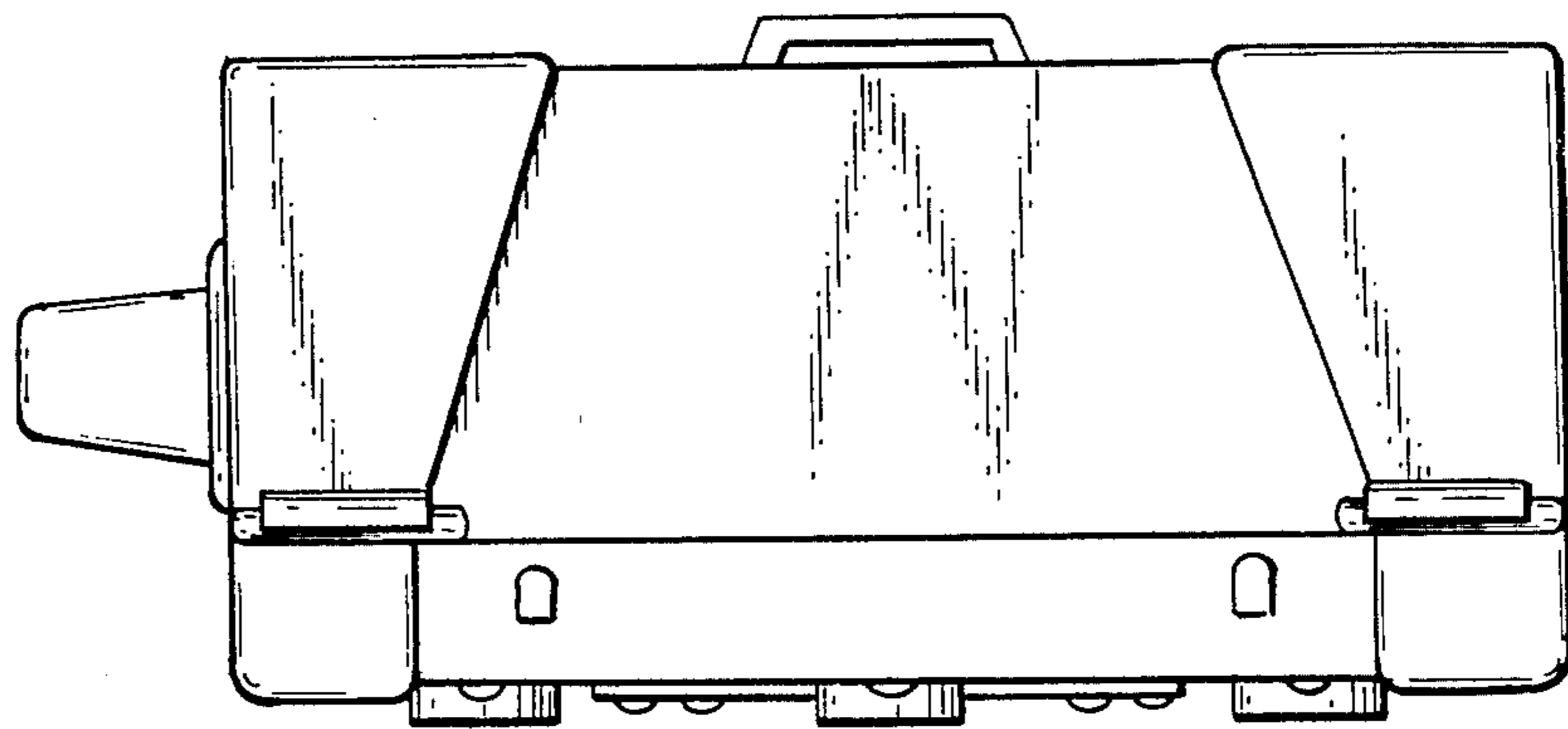


FIG. 2

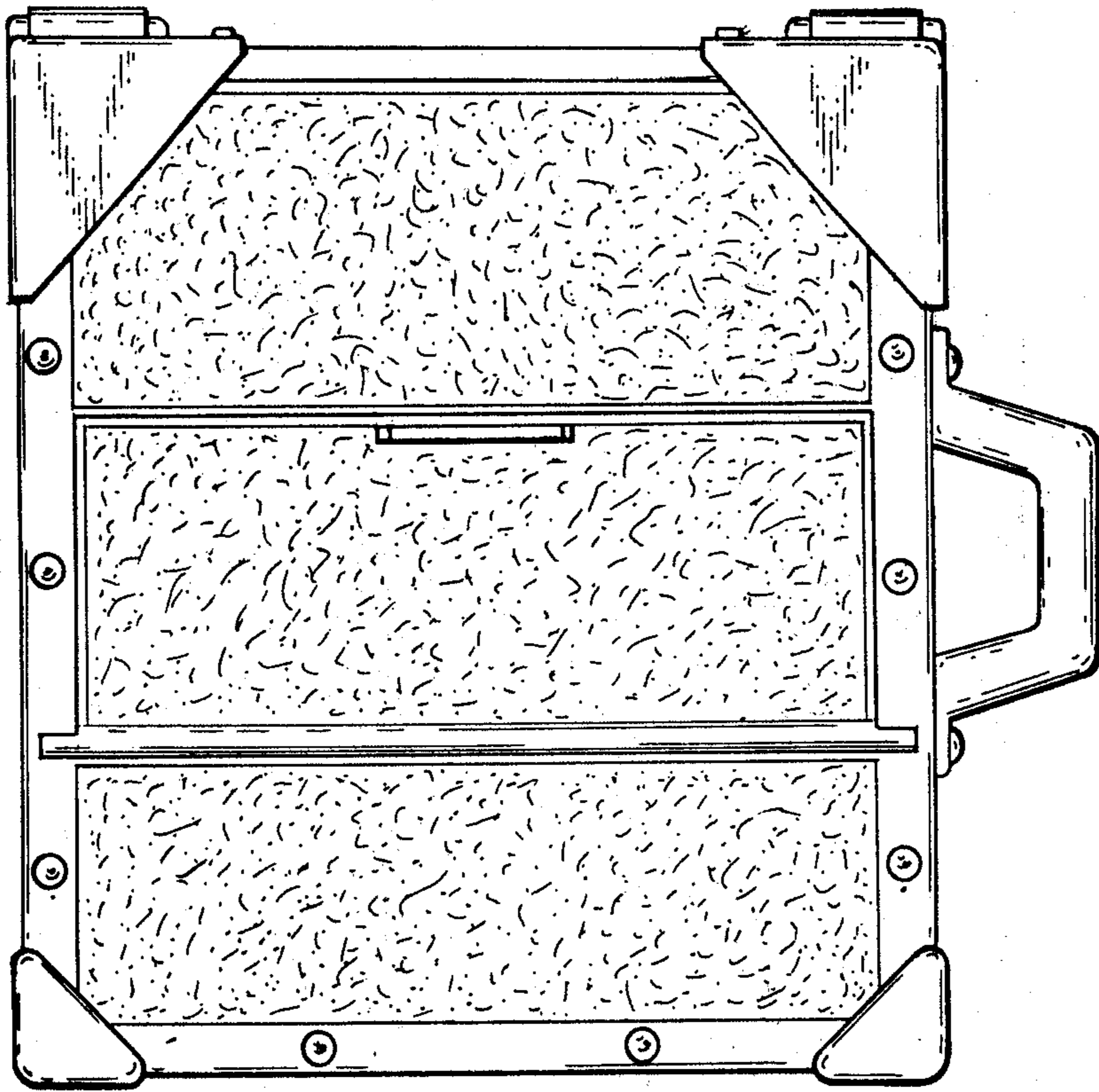


FIG. 3

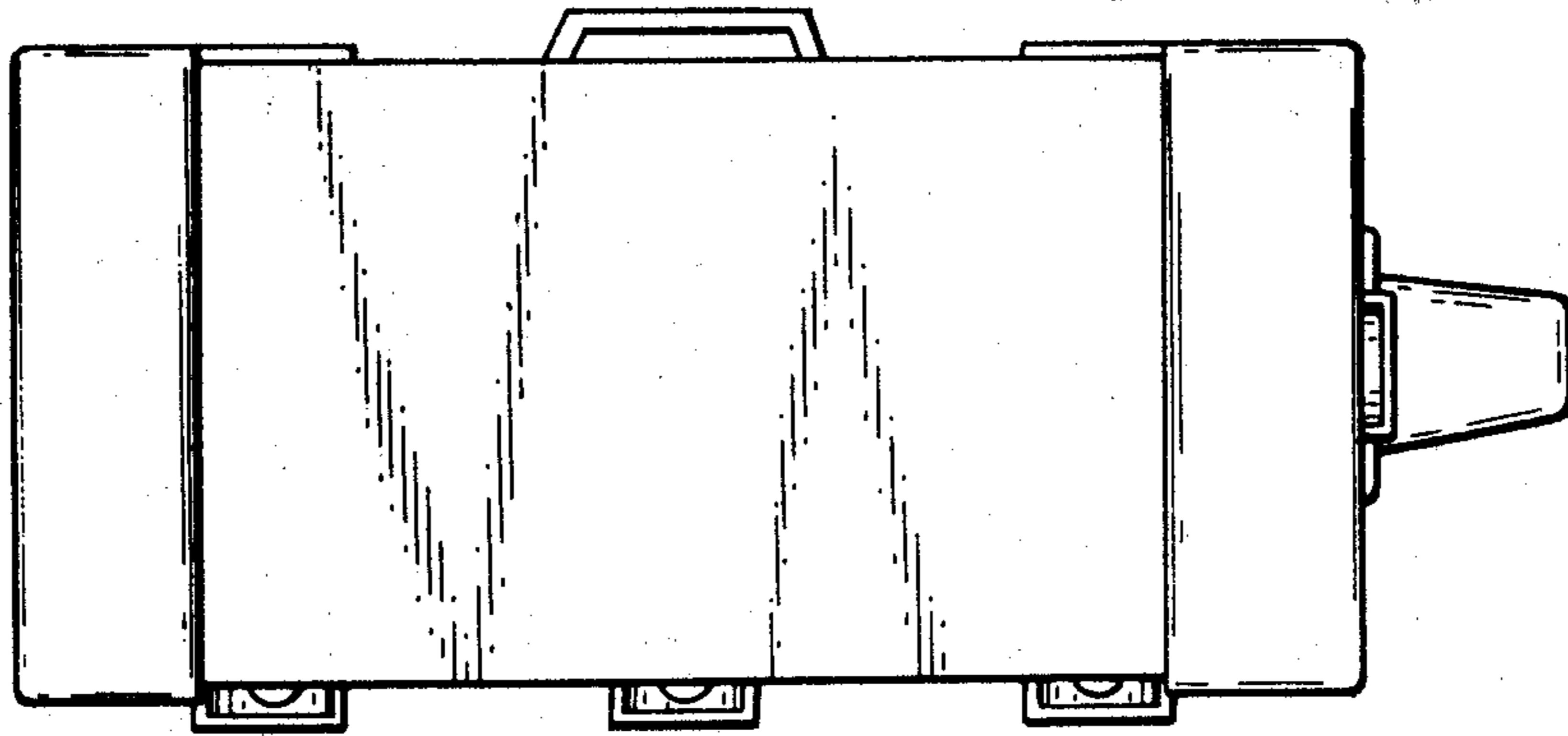


FIG. 4

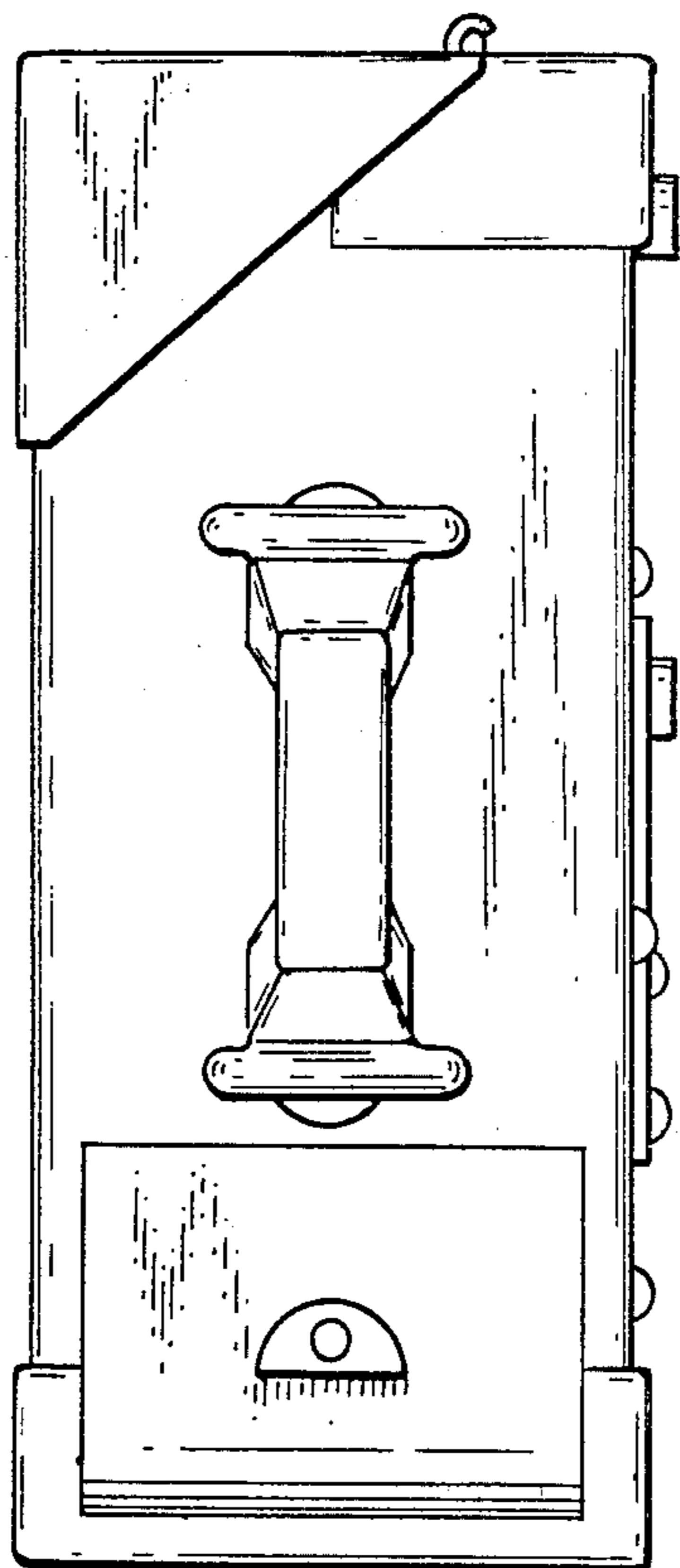


FIG. 5

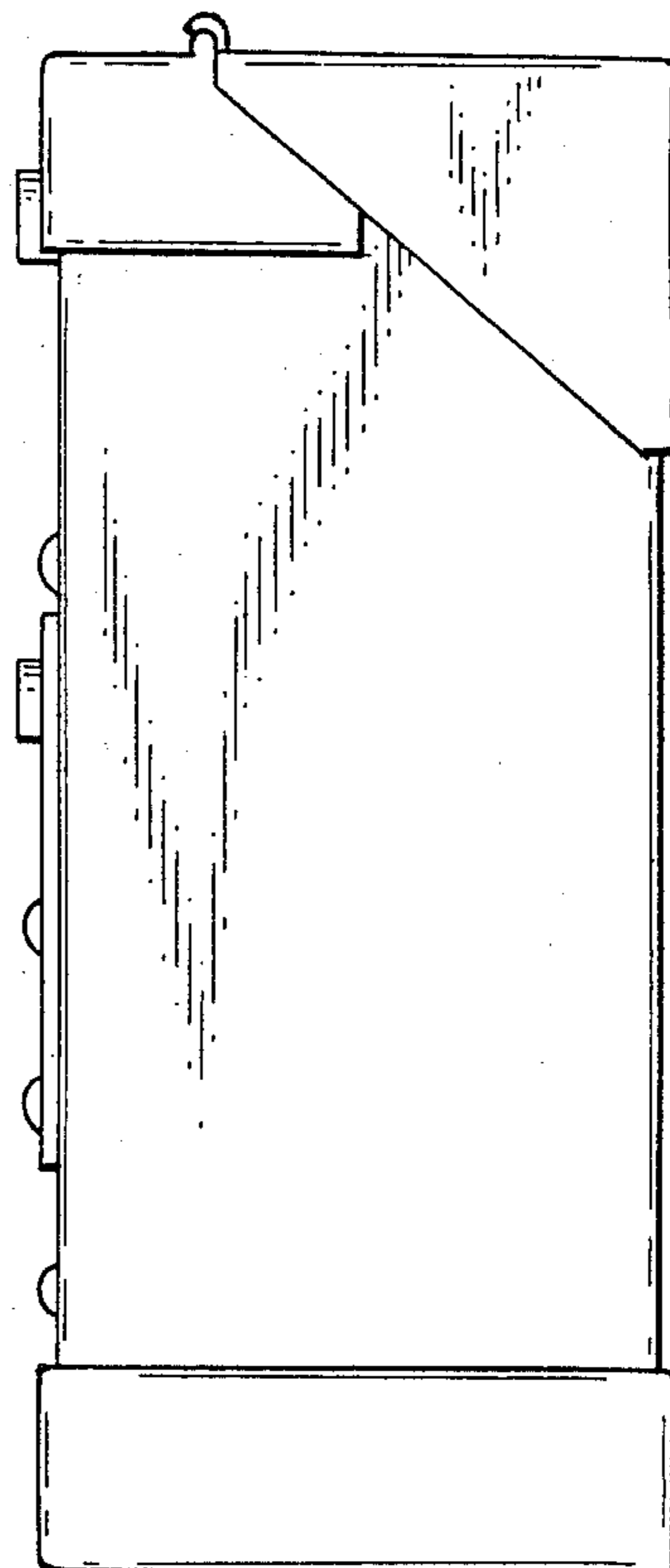


FIG. 6