

[54] GUITAR OR SIMILAR INSTRUMENT

515,323 2/1894 Carswell 84/173

[76] Inventor: Harry A. Sowle, 3 Rivers Rd., P.O. Box 633, Carrabelle, Fla. 32322

OTHER PUBLICATIONS

Folk Musical Instruments, A. Buchner, Octopus, ©'71, p. 64, Vietnamese Dan Bau.

[**] Term: 14 Years

Primary Examiner—Jane E. Corrigan

[21] Appl. No.: 356,217

[22] Filed: Mar. 8, 1984

[52] U.S. Cl. D17/14; D17/18; D17/19

[58] Field of Search D17/14, 17-21; 84/173, 291

[57] CLAIM

The ornamental design for a guitar or similar instrument, substantially as shown and described.

DESCRIPTION

FIG. 1 is a front and top perspective view of a guitar or similar instrument showing my new design; FIG. 2 is a rear elevational view; FIG. 3 is a left side elevational view; FIG. 4 is a right side elevational view; and FIG. 5 is a bottom plan view.

[56] References Cited

U.S. PATENT DOCUMENTS

- D. 36,015 8/1902 Brown D17/19
- D. 266,767 11/1982 Hyatt D17/19

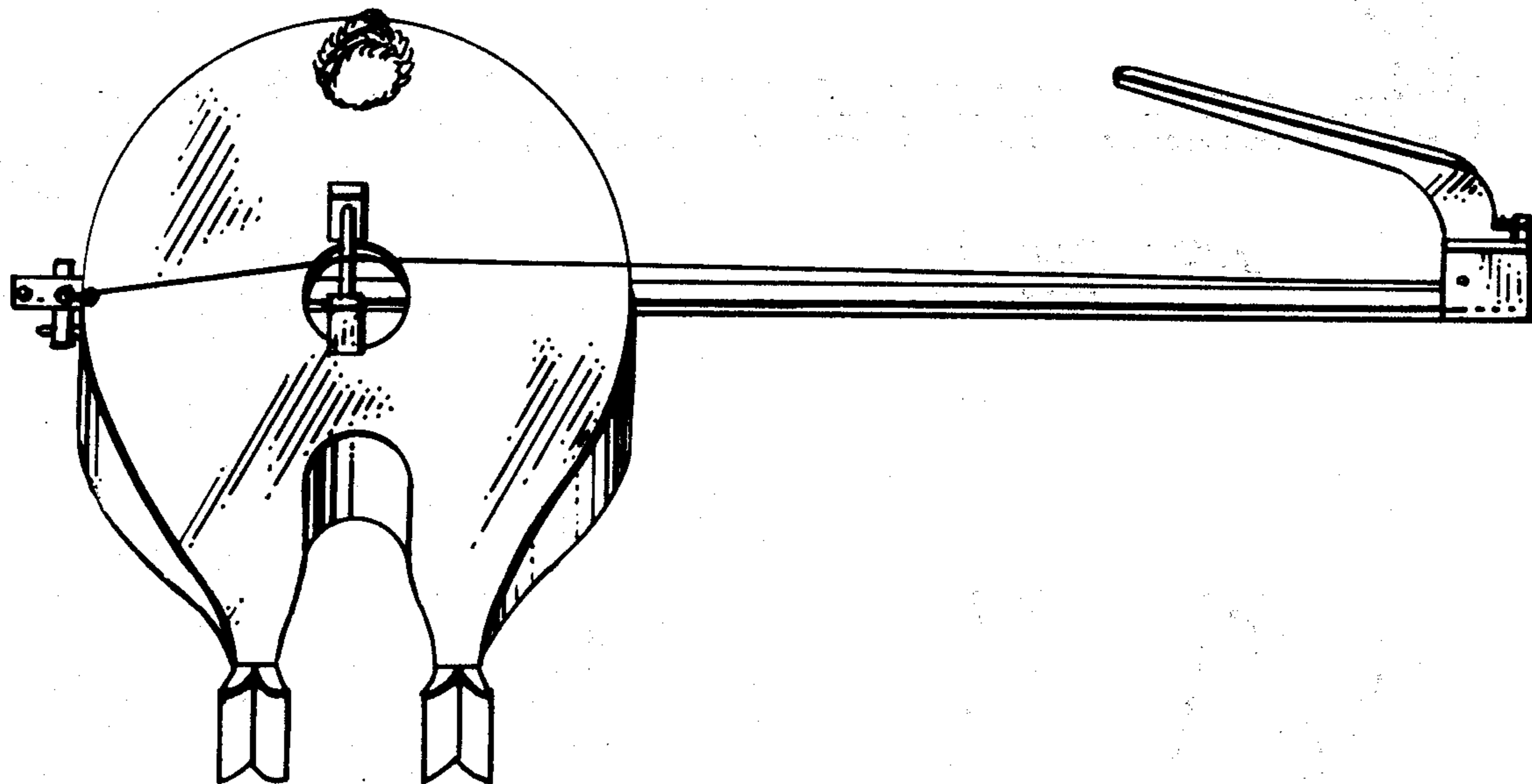


FIG. 1

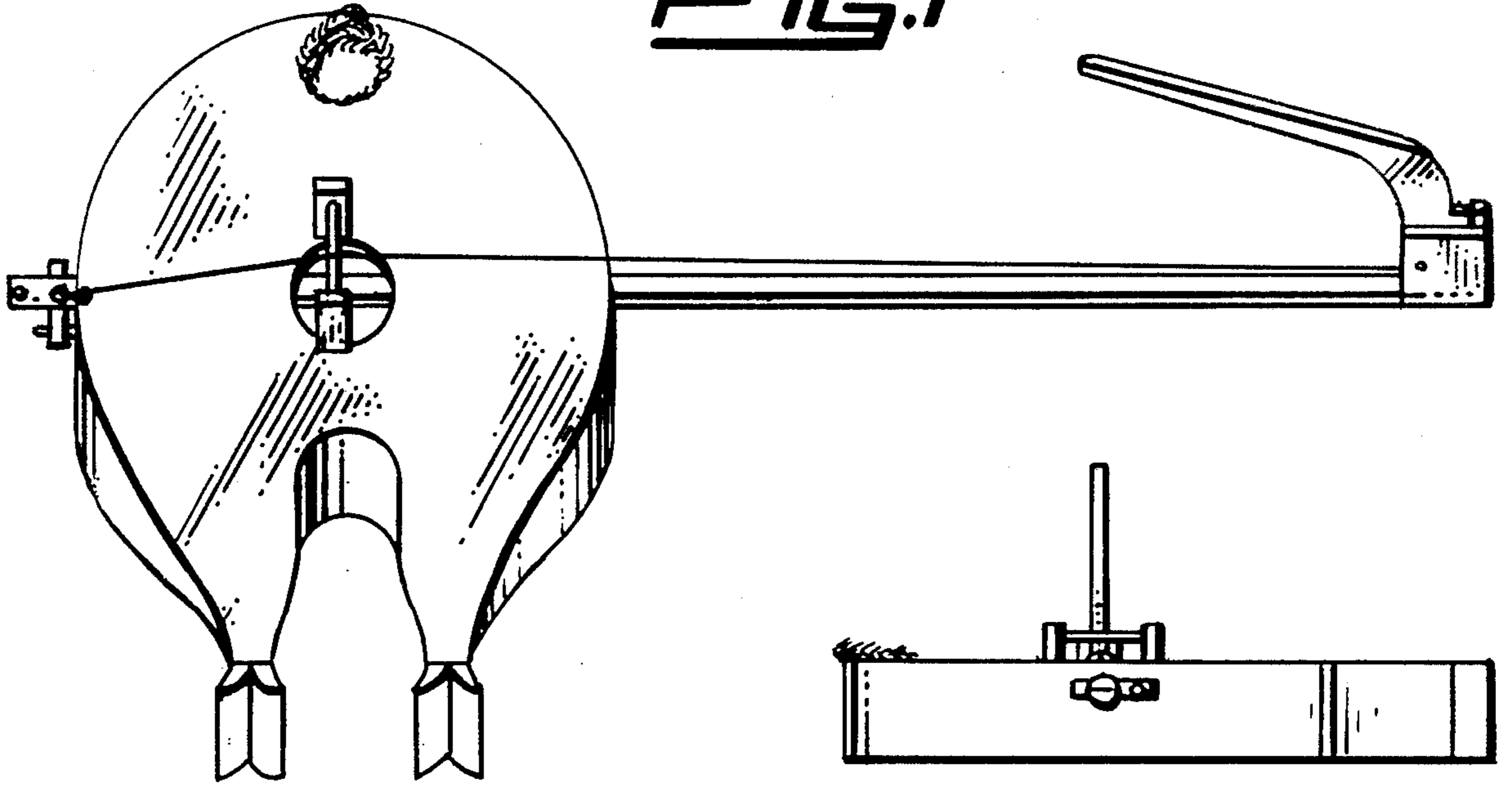


FIG. 3

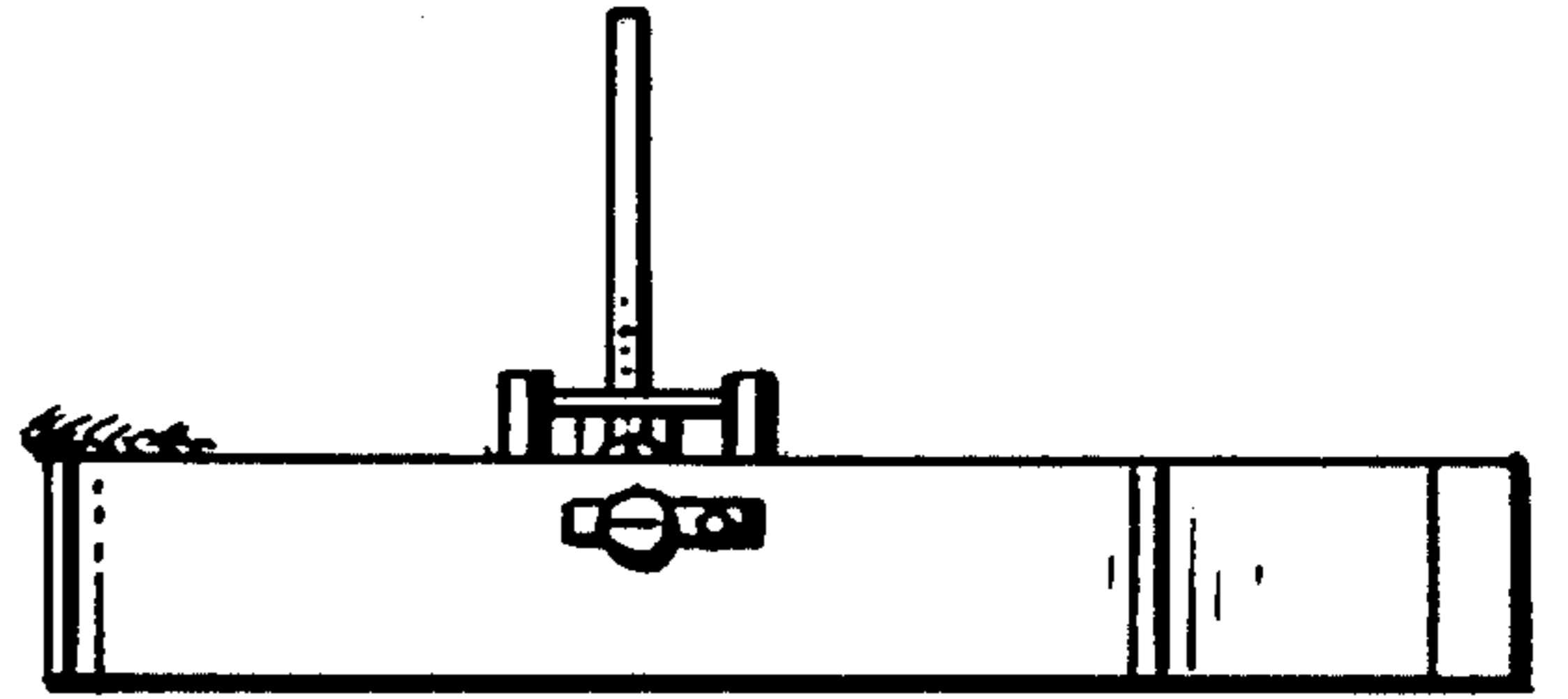


FIG. 2

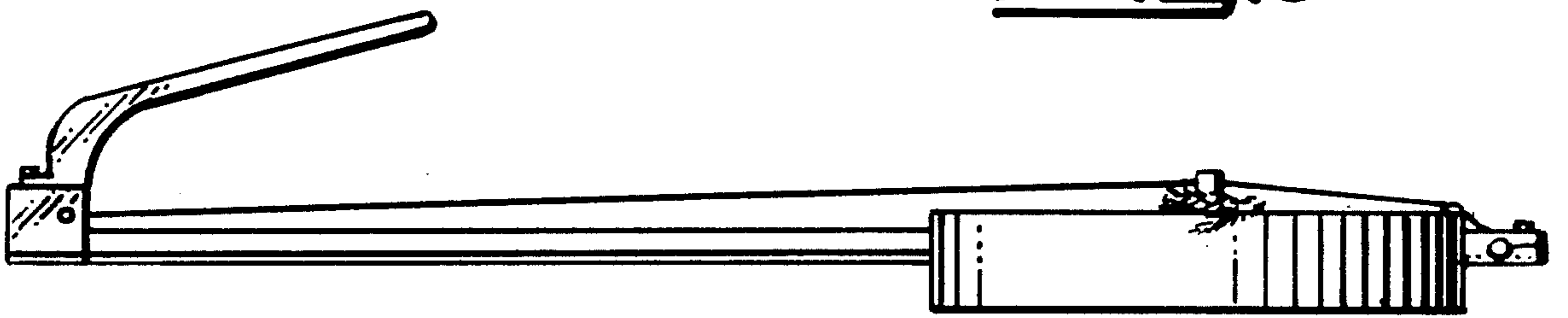


FIG. 4

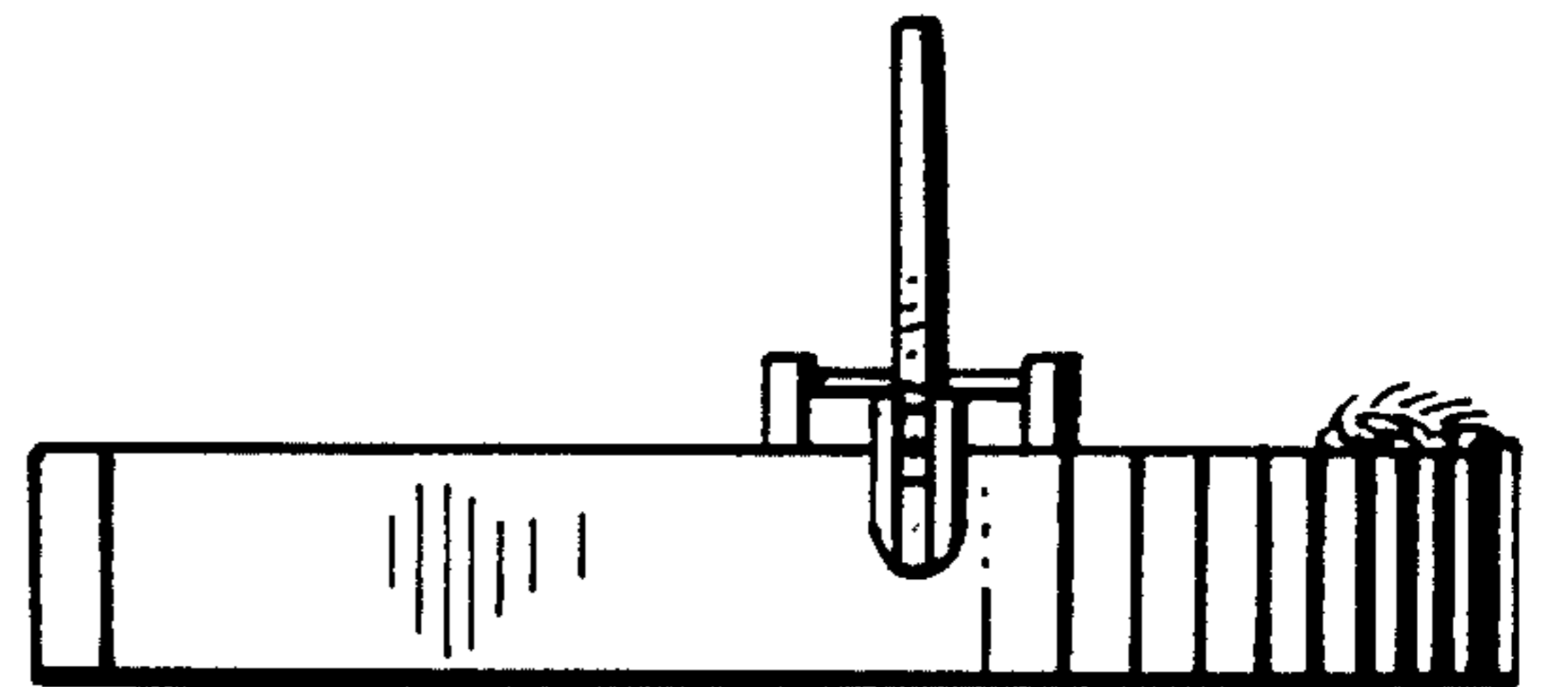


FIG. 5

