

[54] **DISPLAY UNIT FOR ELECTRONIC COMPUTERS**

[75] **Inventor: Mikio Shibata, Yokohama, Japan**

[73] **Assignee: Tokyo Shibaura Denki Kabushiki Kaisha, Kawasaki, Japan**

[**] **Term: 14 Years**

[21] **Appl. No.: 361,084**

[22] **Filed: Mar. 23, 1982**

[30] **Foreign Application Priority Data**

Sep. 30, 1981 [JP] Japan 56/43066
[52] **U.S. Cl. D14/113**
[58] **Field of Search D14/100-117;**
340/365 R, 700, 711, 720

[56] **References Cited**

U.S. PATENT DOCUMENTS

D. 247,563 3/1978 Jinbo et al. D14/106

OTHER PUBLICATIONS

IBM Technical Disclosure Bulletin, vol. 23, #6, 11-1980, p. 2339-Variable Tilt Gas Panel. Full-Dot Type, Plasma Display Unit, MD0832U2 and MD0416U1 of Matsushita Electronics Industries, Ltd.; Electric Wave News, Jun. 2, 1980. LCD Display of Micom 1001 of Philips Information Systems, Inc.; "Datamation", Sep. 1981.

Primary Examiner—Susan J. Lucas
Attorney, Agent, or Firm—Finnegan, Henderson, Farabow, Garrett & Dunner

[57] **CLAIM**

The ornamental design for a display unit for electronic computers, substantially as shown and described.

DESCRIPTION

FIG. 1 is a front, bottom and right side perspective view of a display unit for electronic computers showing my new design;
FIG. 2 is a front elevational view thereof;
FIG. 3 is a side elevational view looking from the right of FIG. 2, the opposite side being a mirror image;
FIG. 4 is a rear elevational view thereof;
FIG. 5 is a top plan view thereof; and
FIG. 6 is a bottom plan view thereof.

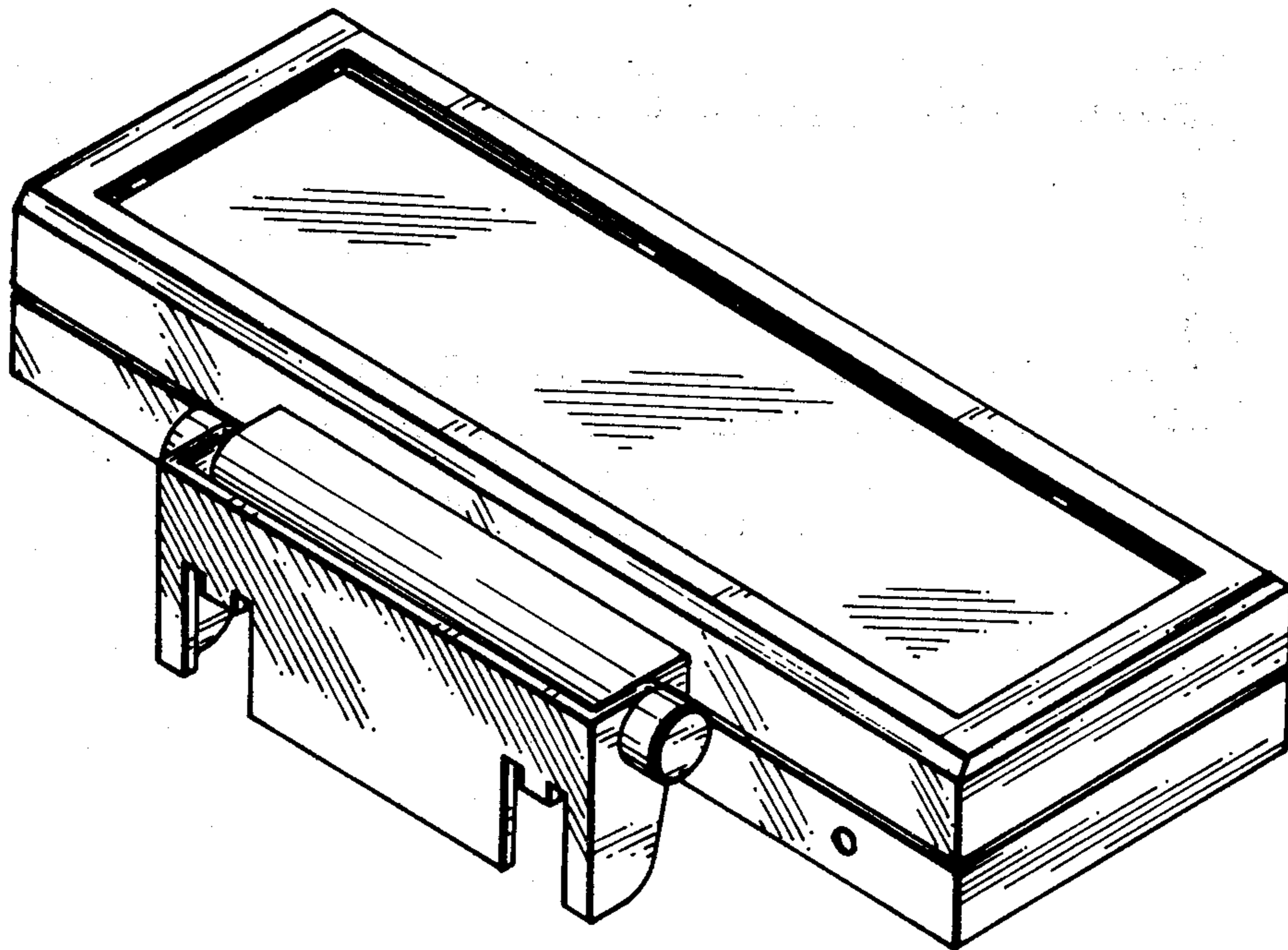


FIG. 1

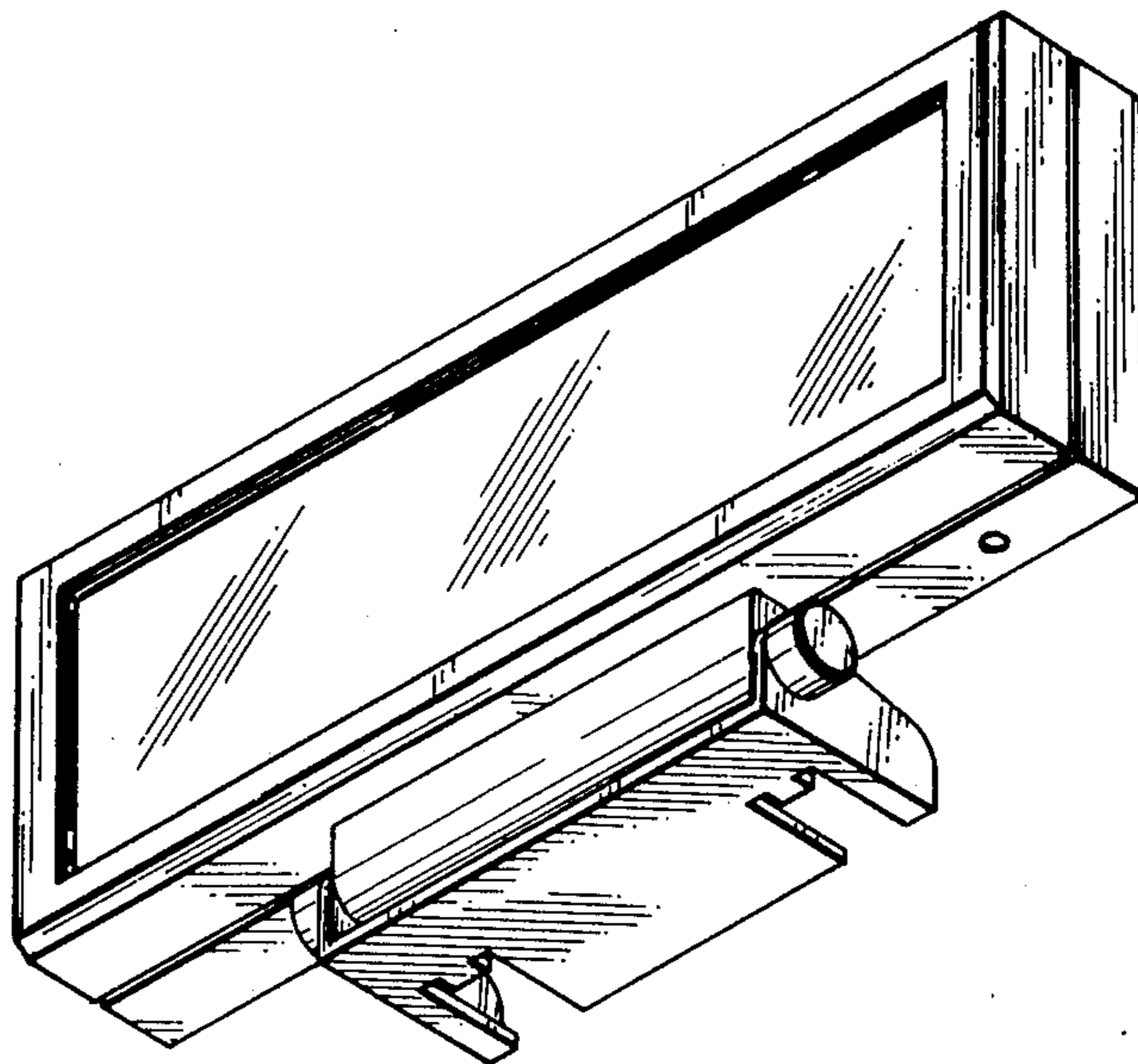


FIG. 2

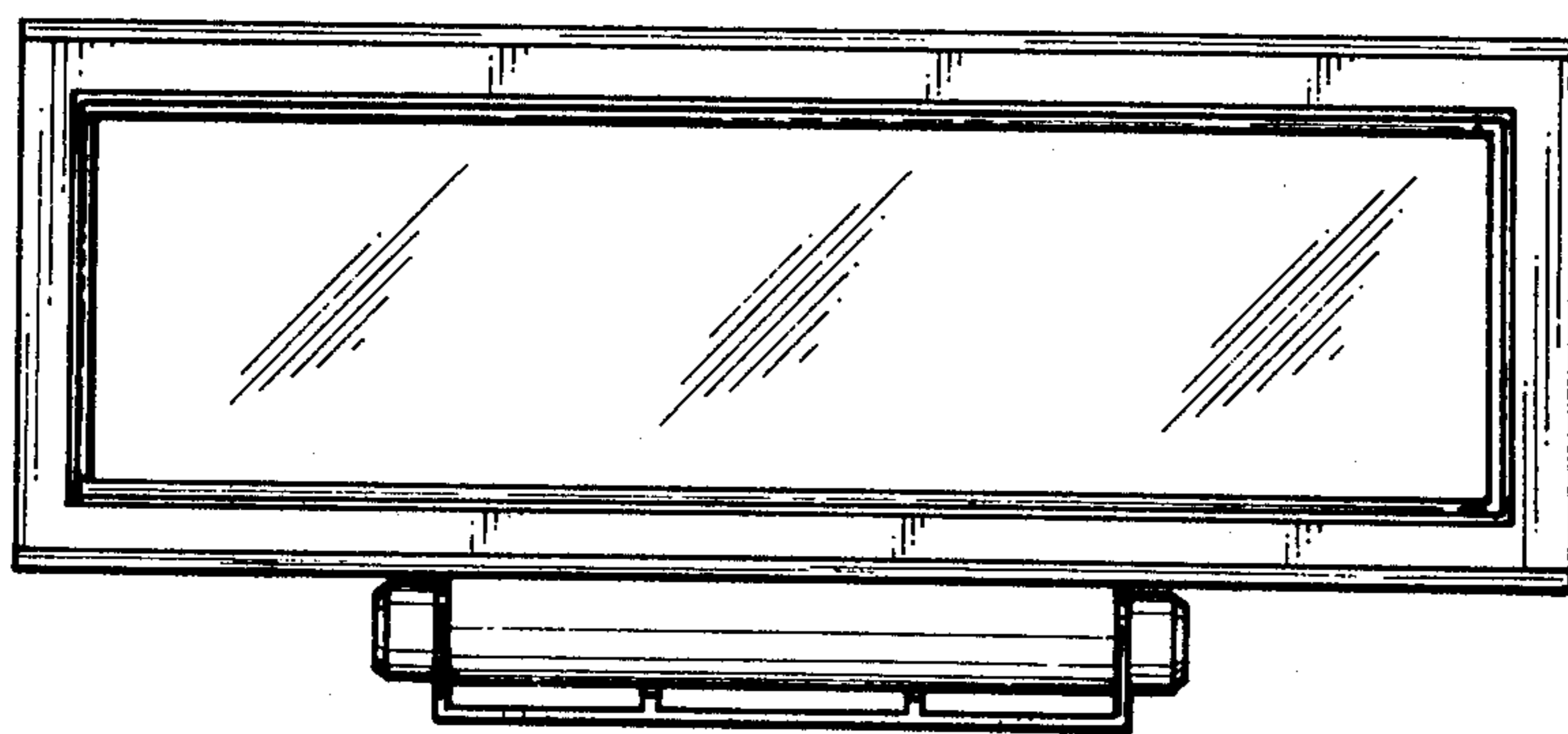


FIG. 3

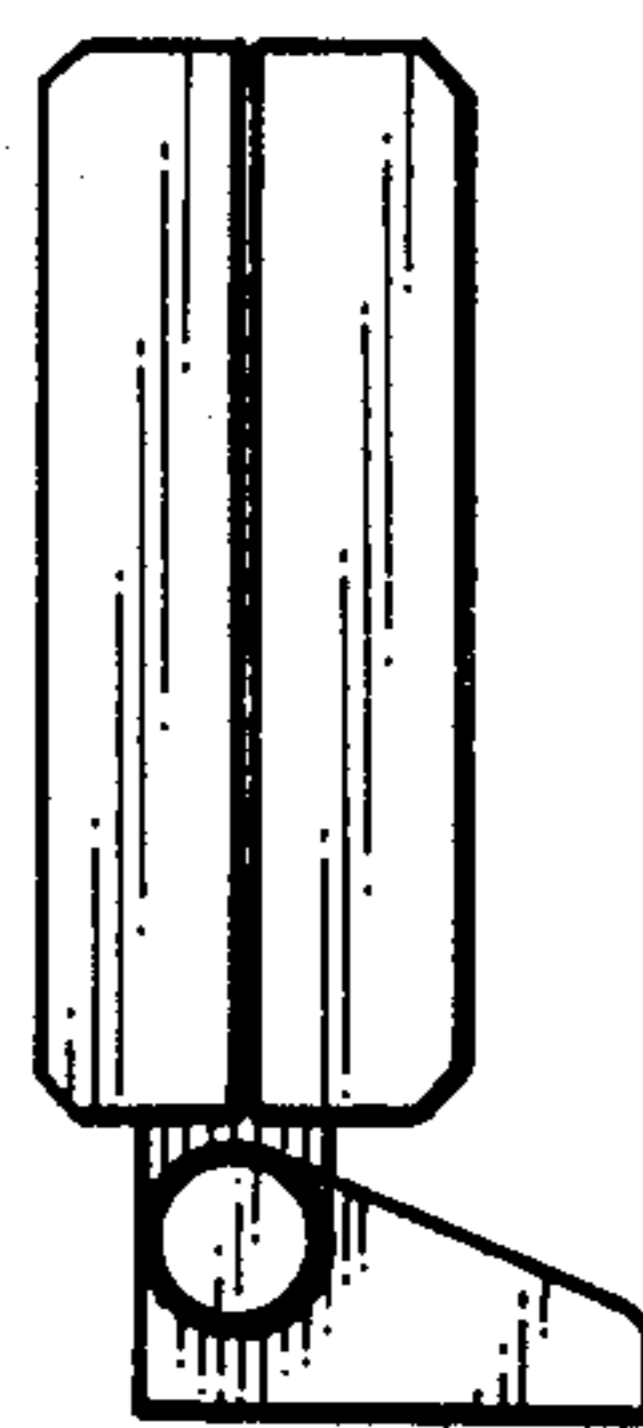


FIG. 4

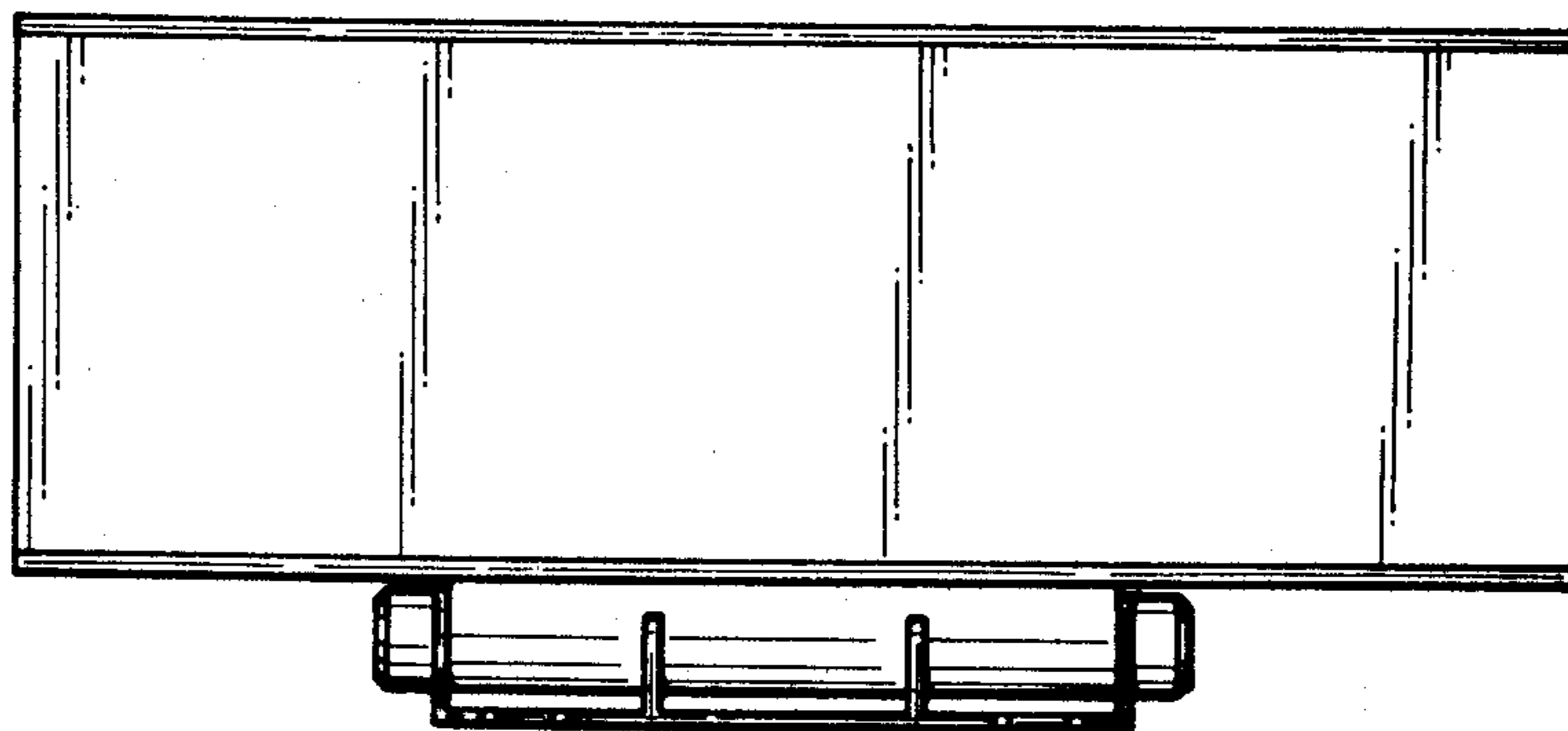


FIG. 5

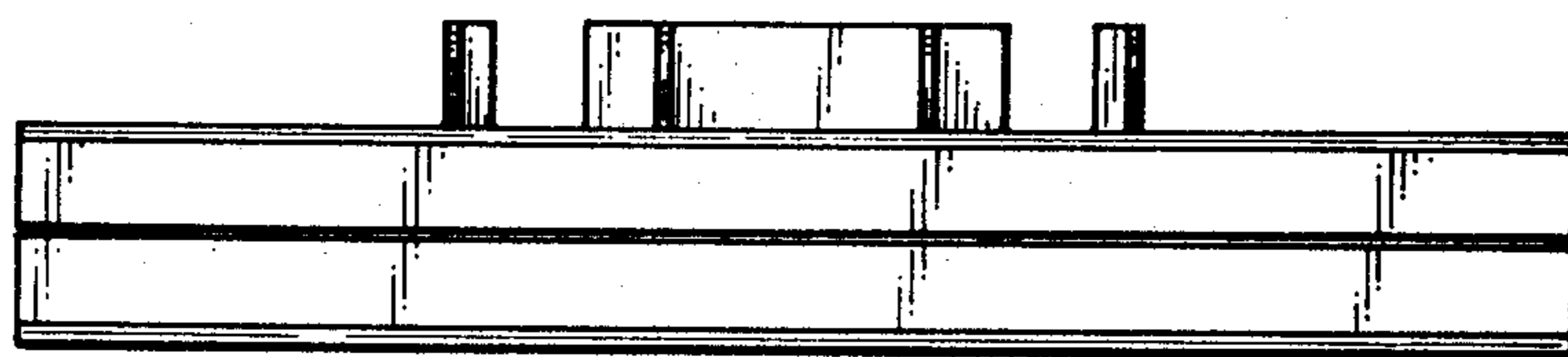


FIG. 6

