

[54] **PRINTER FOR ELECTRONIC COMPUTERS**

[75] **Inventor: Kenzou Izaki, Chiba, Japan**

[73] **Assignee: Tokyo Shibaura Denki Kabushiki Kaisha, Japan**

[**] **Term: 14 Years**

[21] **Appl. No.: 361,085**

[22] **Filed: Mar. 23, 1982**

[30] **Foreign Application Priority Data**

Sep. 28, 1981 [JP] Japan 56-42620

[52] **U.S. Cl. D14/100**

[58] **Field of Search D14/100-117;
D18/13, 23**

[56] **References Cited**

U.S. PATENT DOCUMENTS

D. 249,347 9/1978 Zierhut D14/111

OTHER PUBLICATIONS

Catalog-Okityper-Compact Trio, Model 5200, 5230, 8220A, Oki Electric Industry Co., Ltd.

Catalog-Dot Impact Printer, Model MP-1041, 1050, Hitachi Ltd.

Catalog-High Speed Printer, Mod. NH 3700, Nippon Electric Co., Ltd.

Datamation, 1-1981, p. 101, Ricoh RP 1600 printer.

Wordstream Computer Brochure, 1979, printer.

Primary Examiner—Susan J. Lucas

Attorney, Agent, or Firm—Finnegan, Henderson, Farabow, Garrett & Dunner

[57] **CLAIM**

The ornamental design for a printer for electronic computers, substantially as shown and described.

DESCRIPTION

FIG. 1 is a front, top and right side perspective view of a printer for electronic computers showing my new design;

FIG. 2 is a front elevational view thereof;

FIG. 3 is a side elevational view looking from the right of FIG. 2, the opposite side being a mirror image;

FIG. 4 is a top plan view thereof; and

FIG. 5 is a rear elevational view thereof.

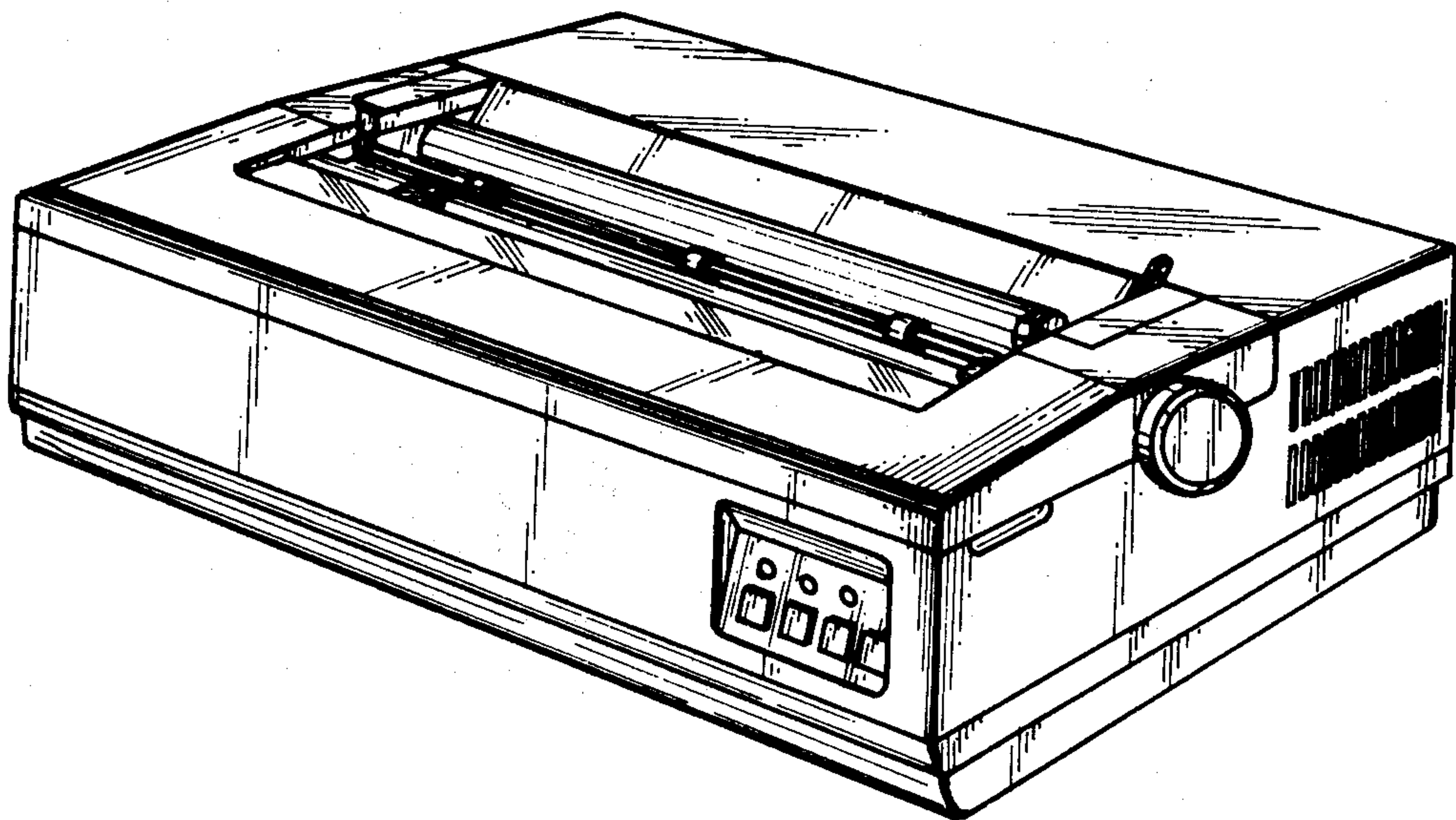


FIG. 1

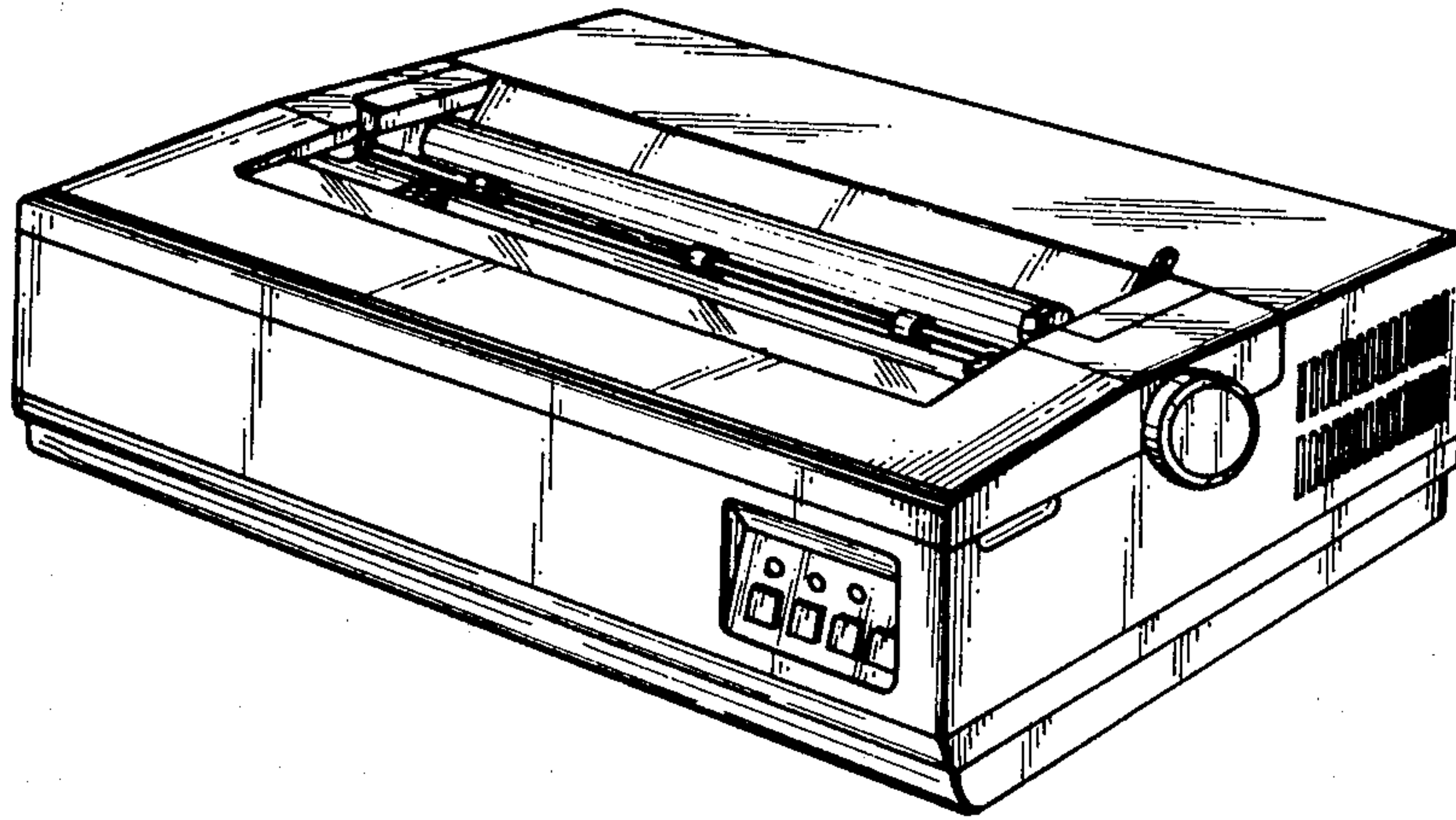


FIG. 2

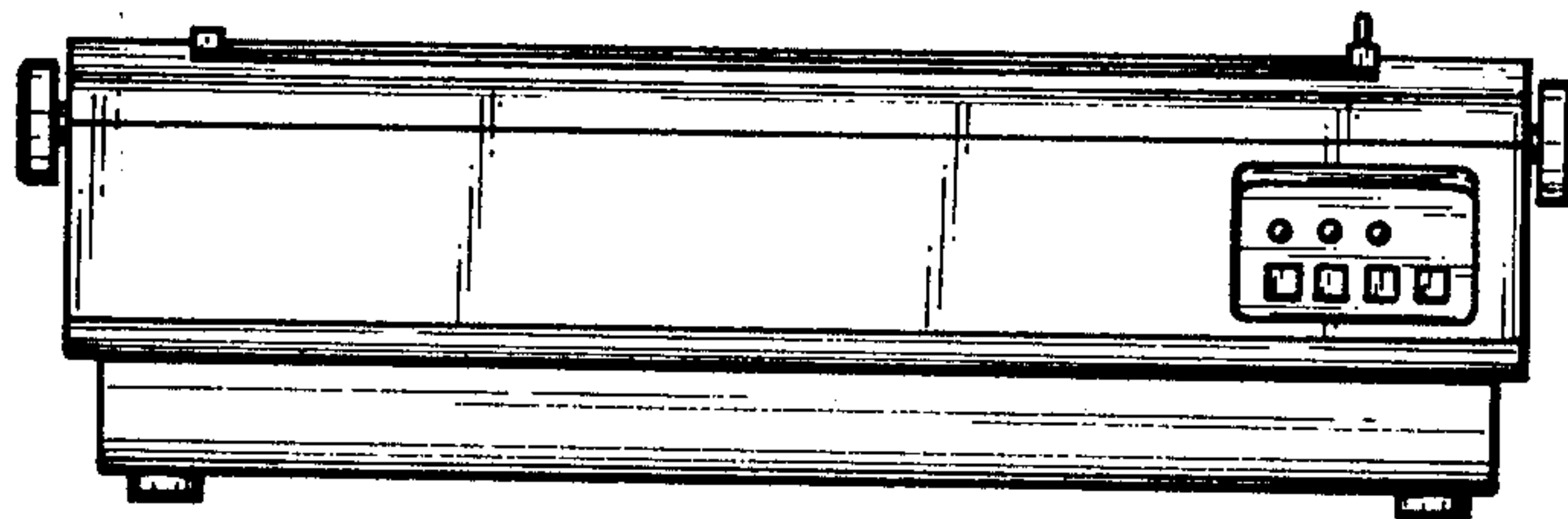


FIG. 3

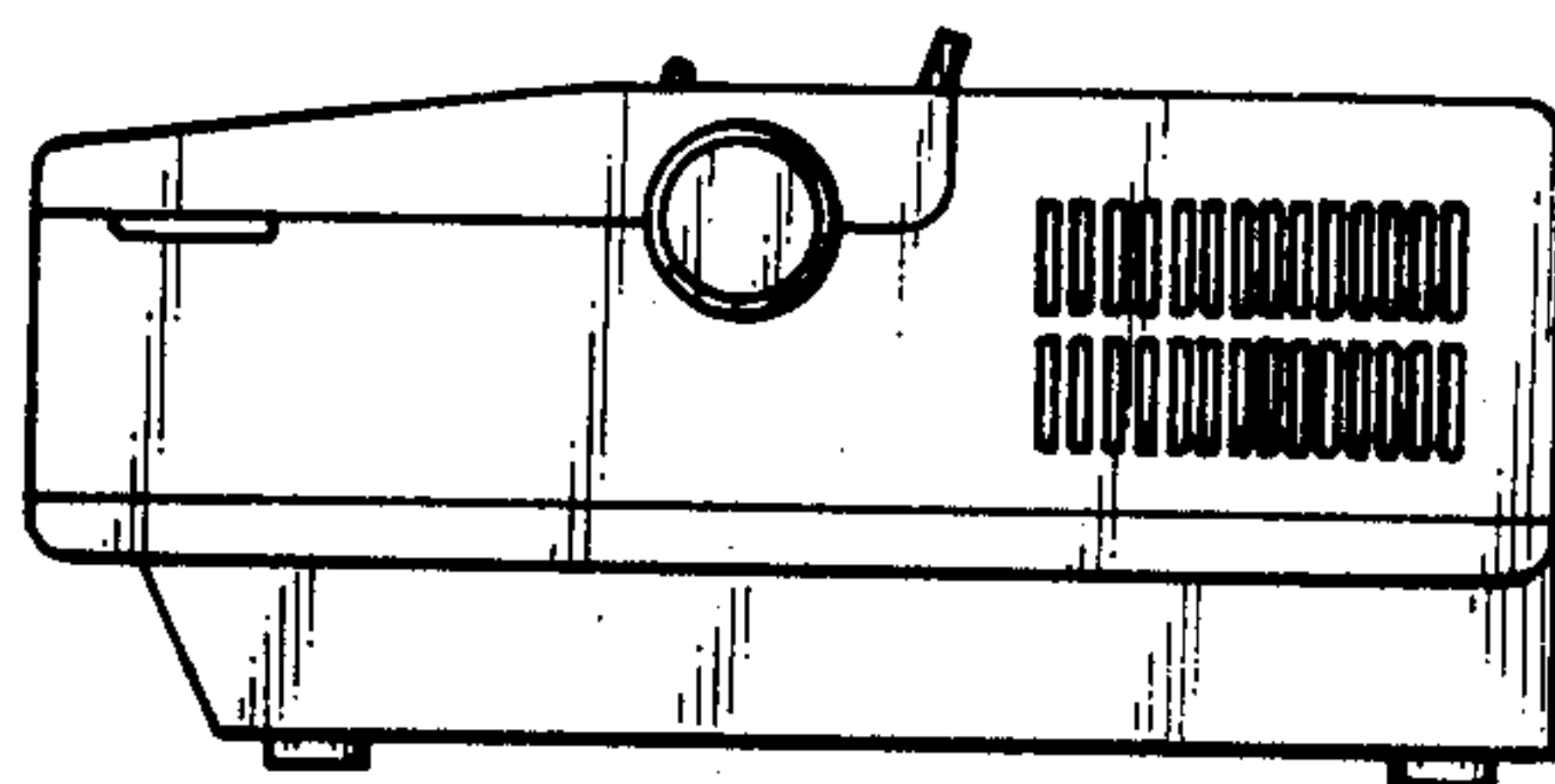


FIG. 4

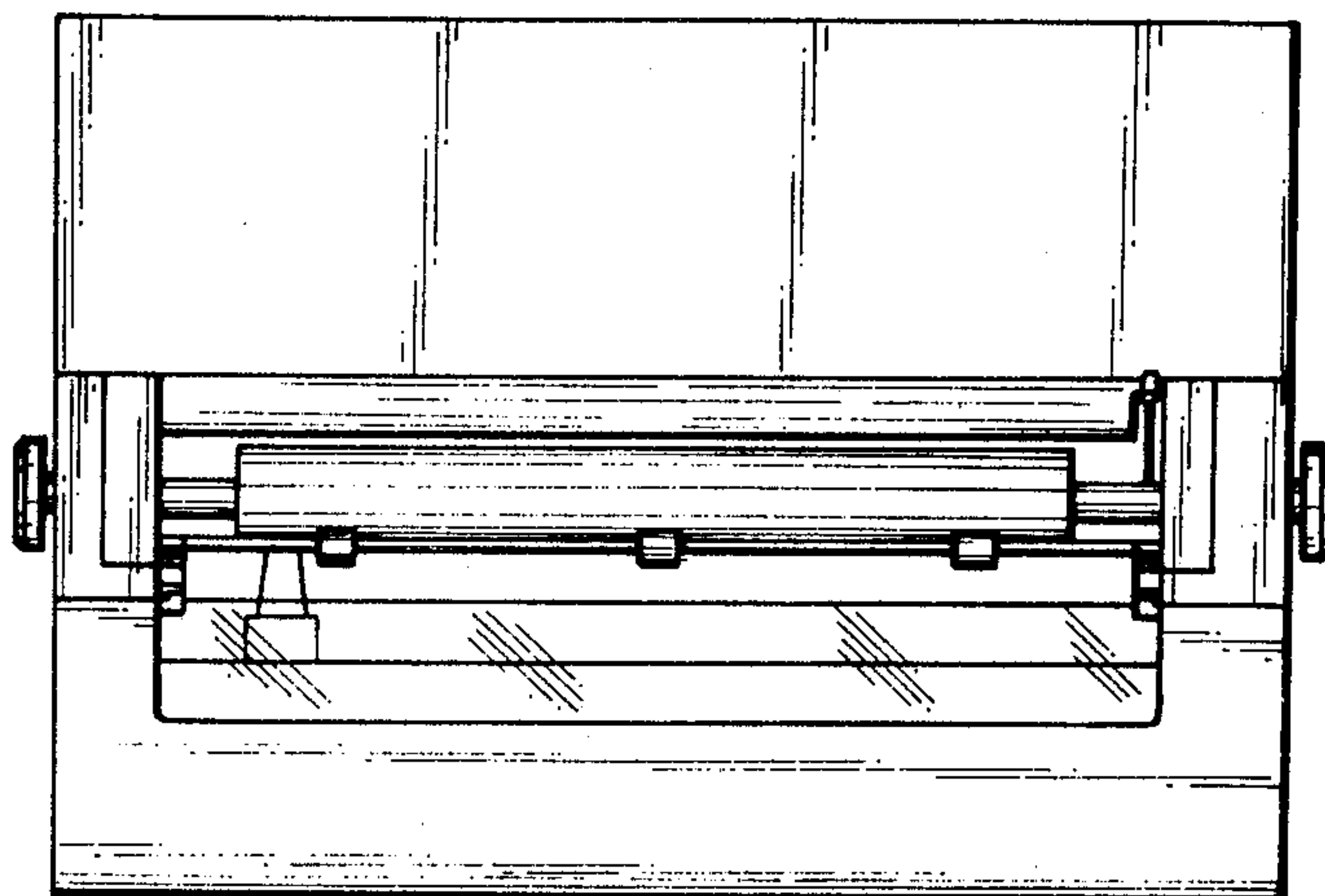


FIG. 5

