

[54] **LOUDSPEAKER**

[75] **Inventor: Manabu Kawachi, Tokyo, Japan**  
[73] **Assignee: Pioneer Kabushiki Kaisha, Tokyo, Japan**  
[\*\*] **Term: 14 Years**  
[21] **Appl. No.: 301,574**  
[22] **Filed: Sep. 14, 1981**

[30] **Foreign Application Priority Data**

Mar. 13, 1981 [JP] Japan ..... 56-10425  
[52] **U.S. Cl. .... D14/30; D14/34**  
[58] **Field of Search ..... D14/30, 32, 34, 37, D14/39; 179/1 E; 181/148, 150**

[56] **References Cited**

**U.S. PATENT DOCUMENTS**

D. 254,490 3/1980 Matsubara ..... D14/30  
D. 264,209 5/1982 Ishizaki ..... D14/30  
3,952,834 4/1976 Soma et al. .... 181/150

**OTHER PUBLICATIONS**

*High Fidelity*, 9-79, p. 9, Pioneer "TS-W203 Woofer".  
*High Fidelity*, 12-79, p. 140, Peerless Speaker.

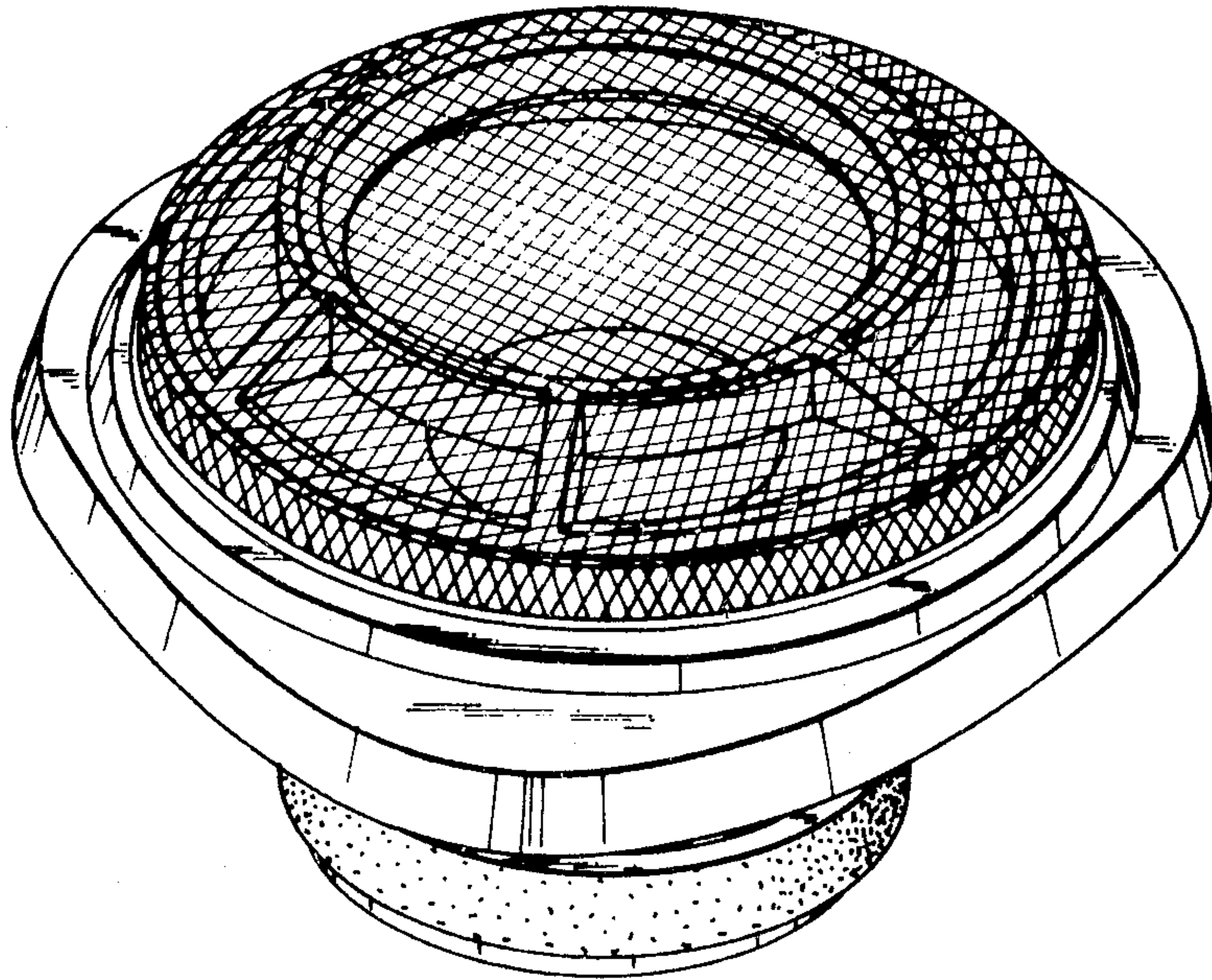
*Primary Examiner*—Jane E. Corrigan  
*Attorney, Agent, or Firm*—Armstrong, Nikaido, Marmelstein & Kubovcik

[57] **CLAIM**

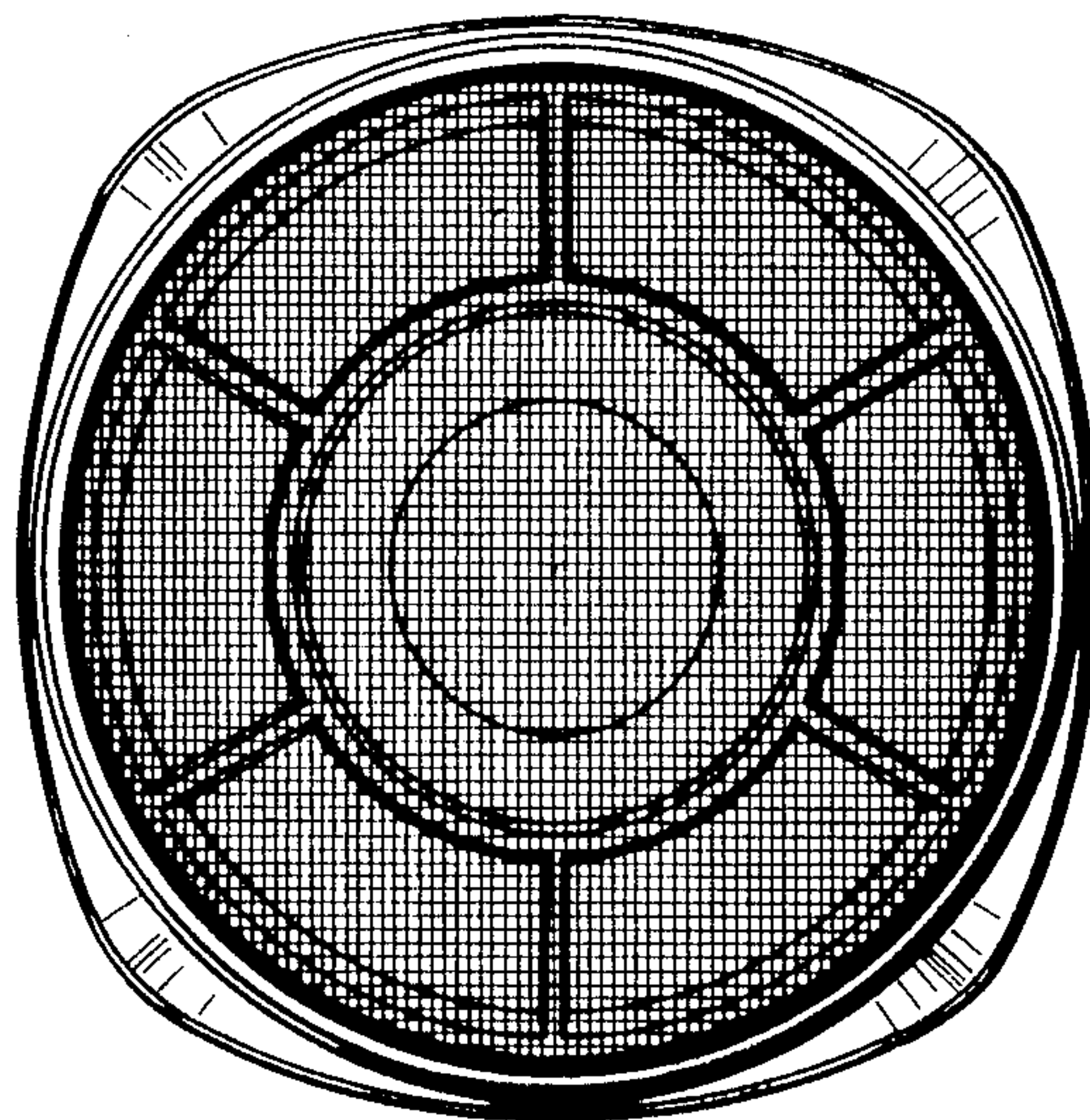
The ornamental design for loudspeaker, as shown and described.

**DESCRIPTION**

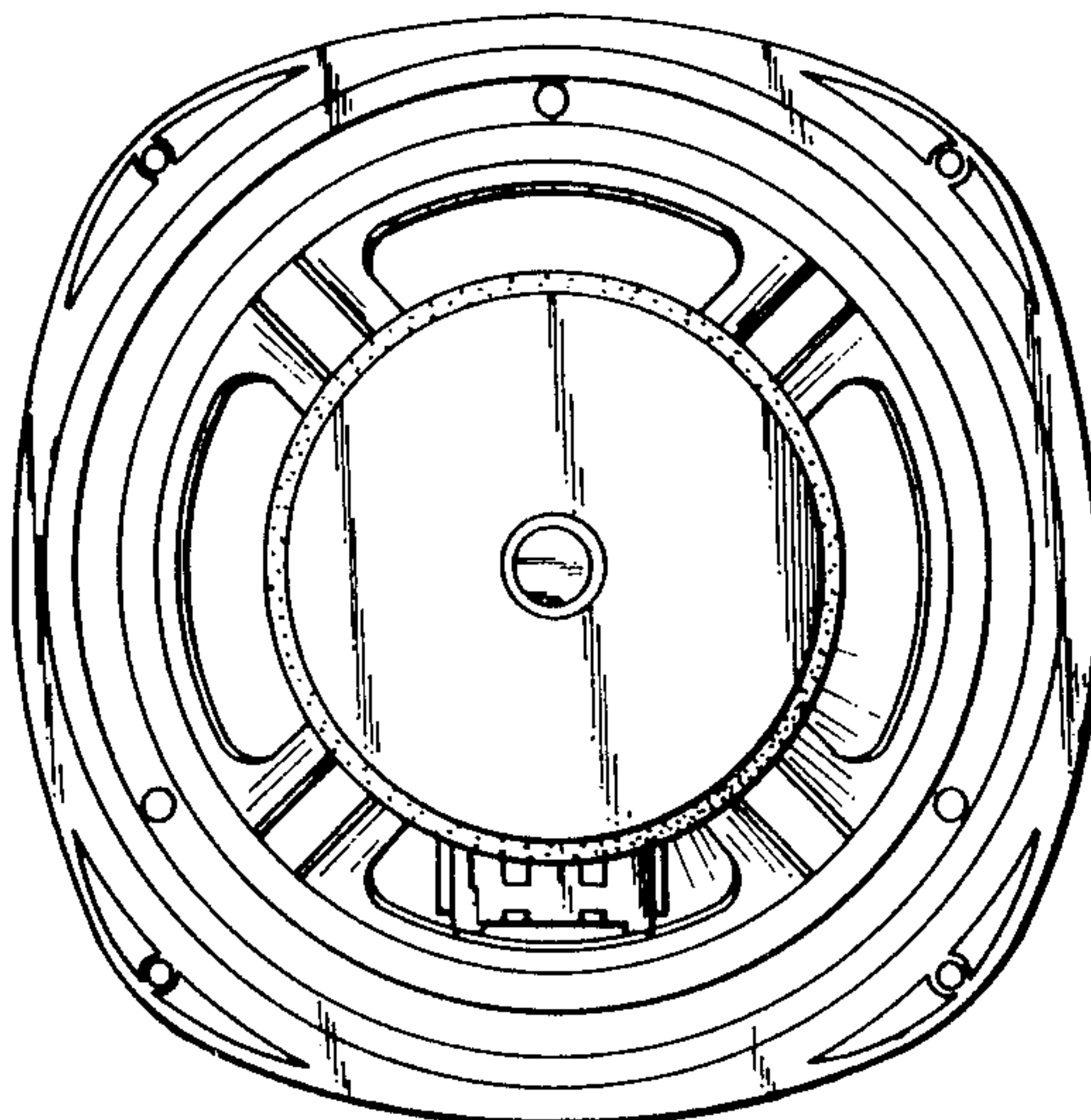
FIG. 1 is a front elevational view of a loudspeaker showing my new design;  
FIG. 2 is a rear elevational view thereof;  
FIG. 3 is a top plan view thereof;  
FIG. 4 is a bottom plan view thereof;  
FIG. 5 is a left side elevational view thereof;  
FIG. 6 is a right side elevational view thereof; and  
FIG. 7 is a front, top and right side perspective view thereof.



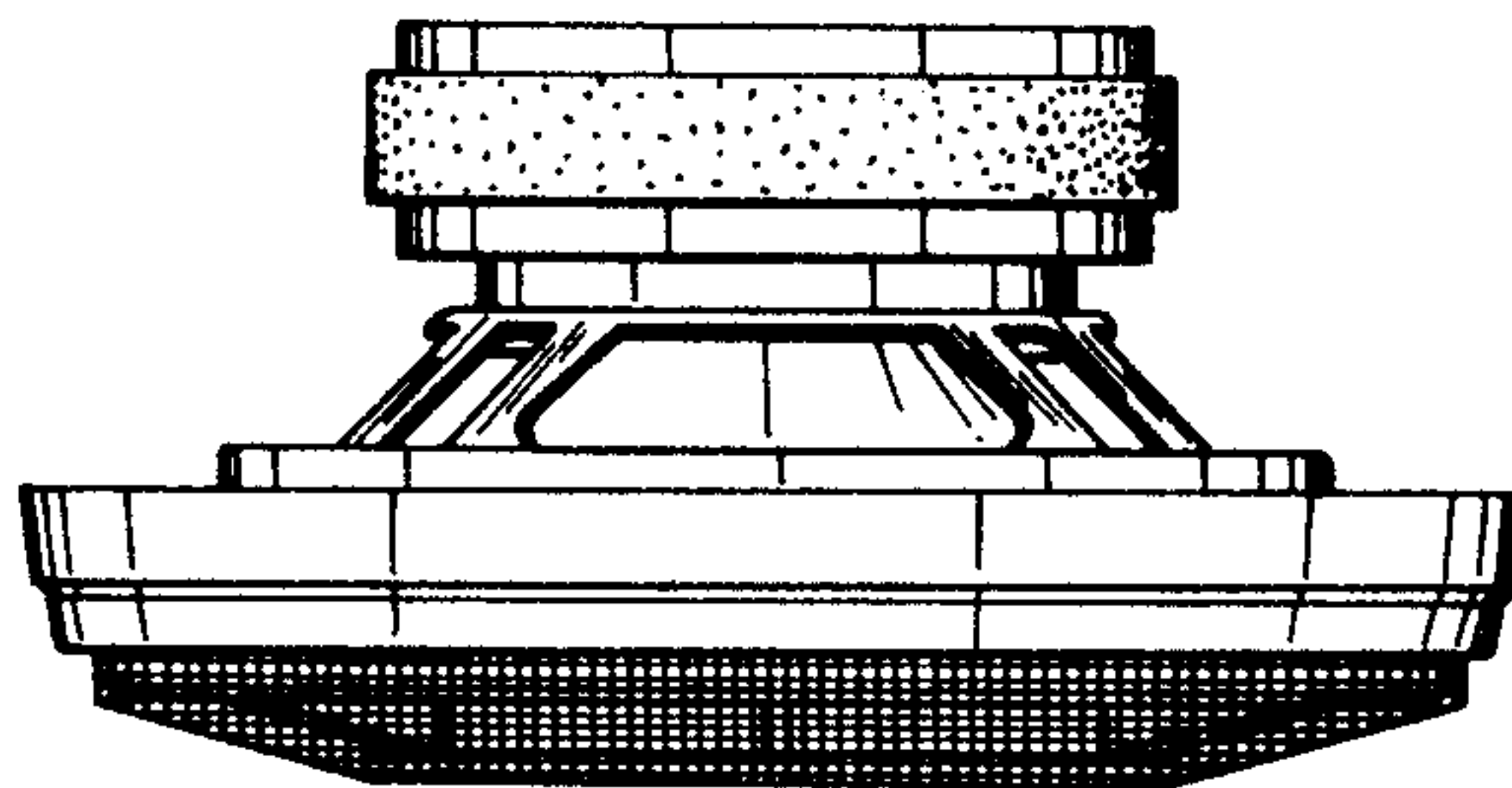
**FIG.1**



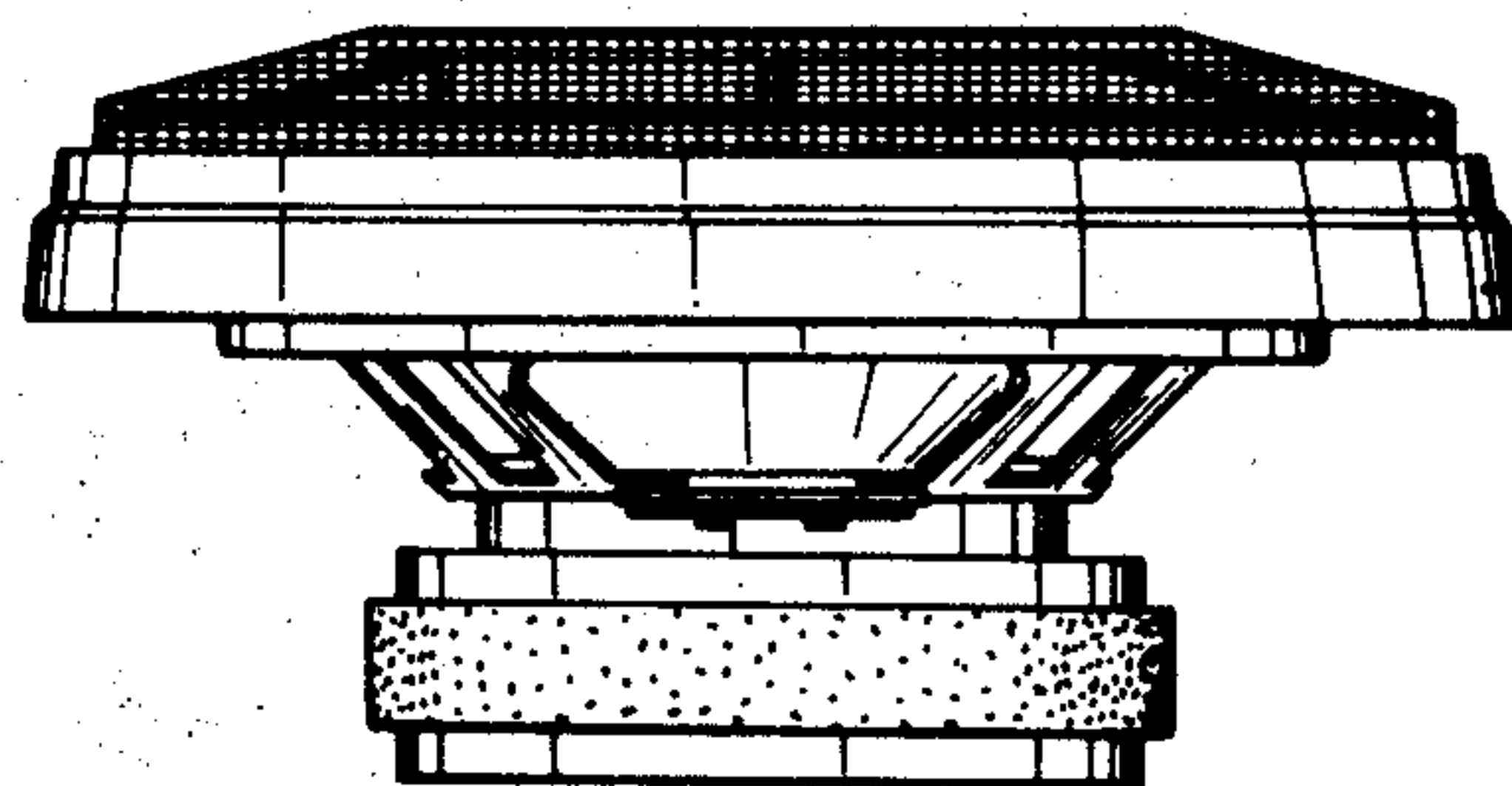
**FIG.2**



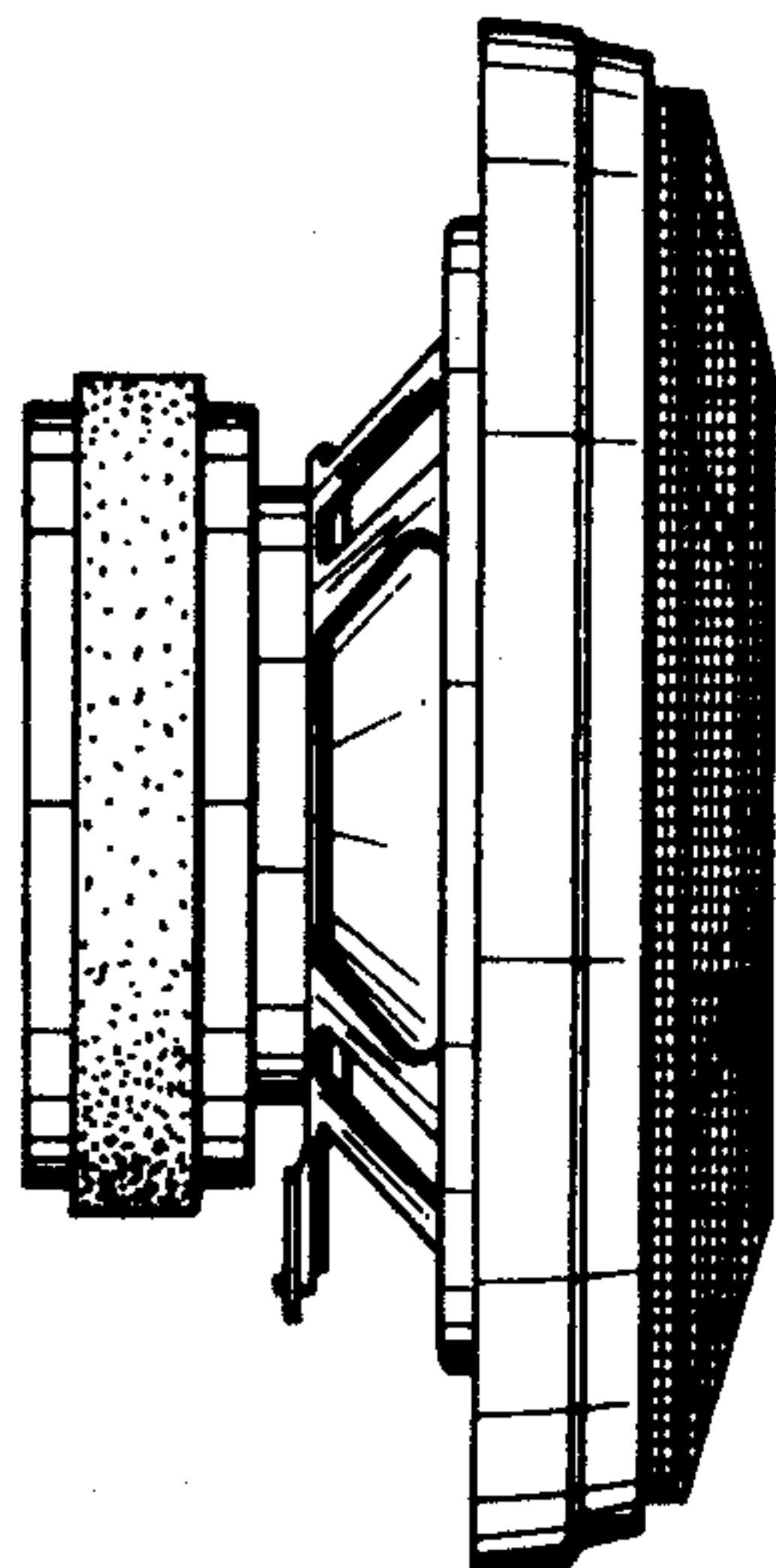
**FIG.3**



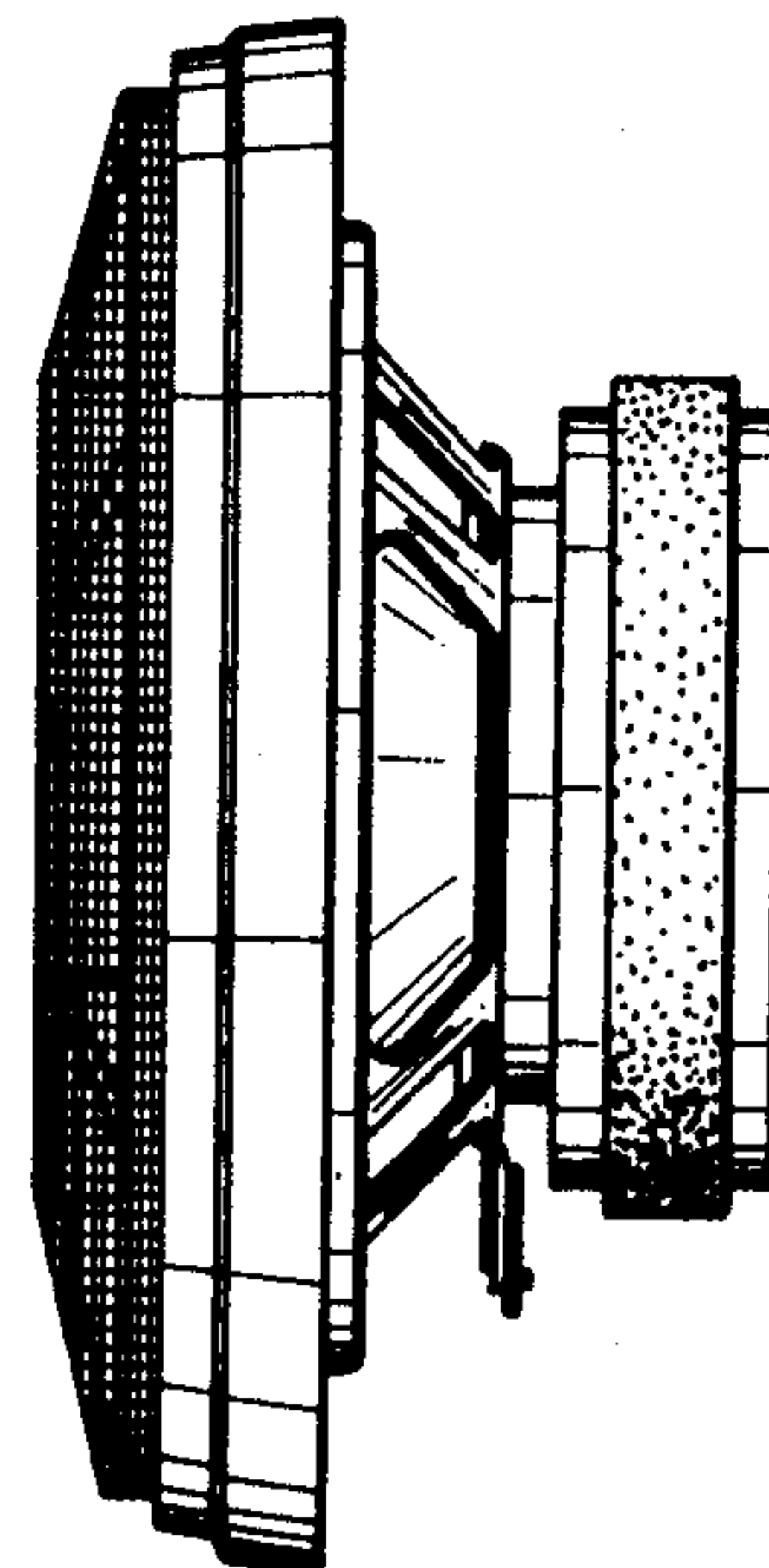
**FIG.4**



**FIG.5**



**FIG.6**





**FIG. 7**

