

[54] **ELECTRICAL CONNECTOR COVER**

[75] **Inventor: Robert G. Dickie, Keswick, Canada**

[73] **Assignee: Northern Technologies, Ltd.,  
Markham, Canada**

[\*\*] **Term: 14 Years**

[21] **Appl. No.: 363,247**

[22] **Filed: Mar. 29, 1982**

[52] **U.S. Cl. .... D13/24**

[58] **Field of Search ..... D13/24, 30; 339/91 R,  
339/103 R, 107, 103, 154, 155, 156, 157, 159,  
166, 176 R, 196 R**

[56] **References Cited**

**U.S. PATENT DOCUMENTS**

D. 224,740 9/1972 Galang et al. .... D13/24  
D. 252,269 7/1979 Jonsson ..... D13/24  
2,659,872 11/1953 Gilbert ..... D13/30 X  
3,056,942 10/1962 Carbaugh et al. .... D13/24 X

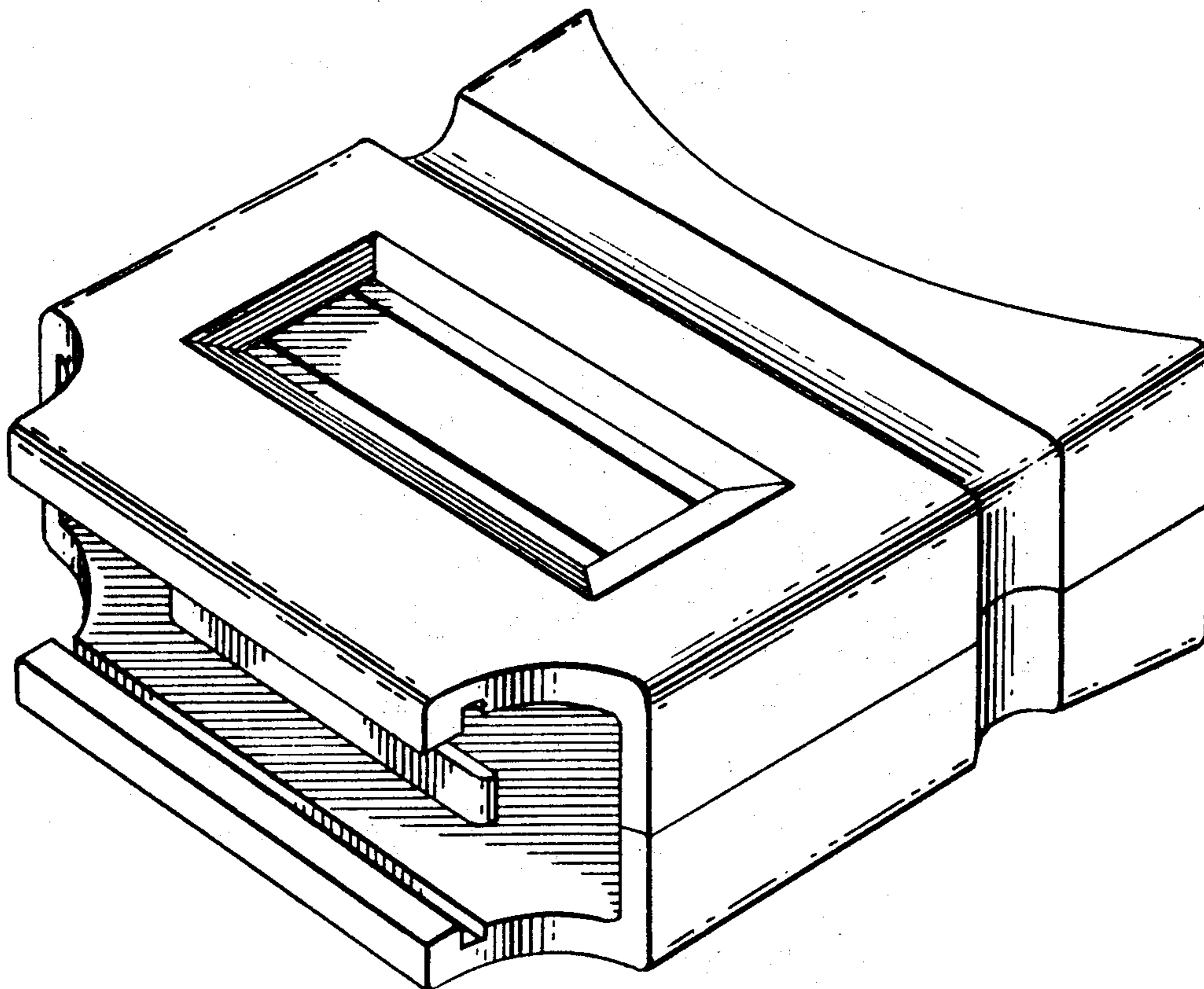
*Primary Examiner*—Susan J. Lucas  
*Attorney, Agent, or Firm*—Woodcock, Washburn,  
Kurtz, Mackiewicz & Norris

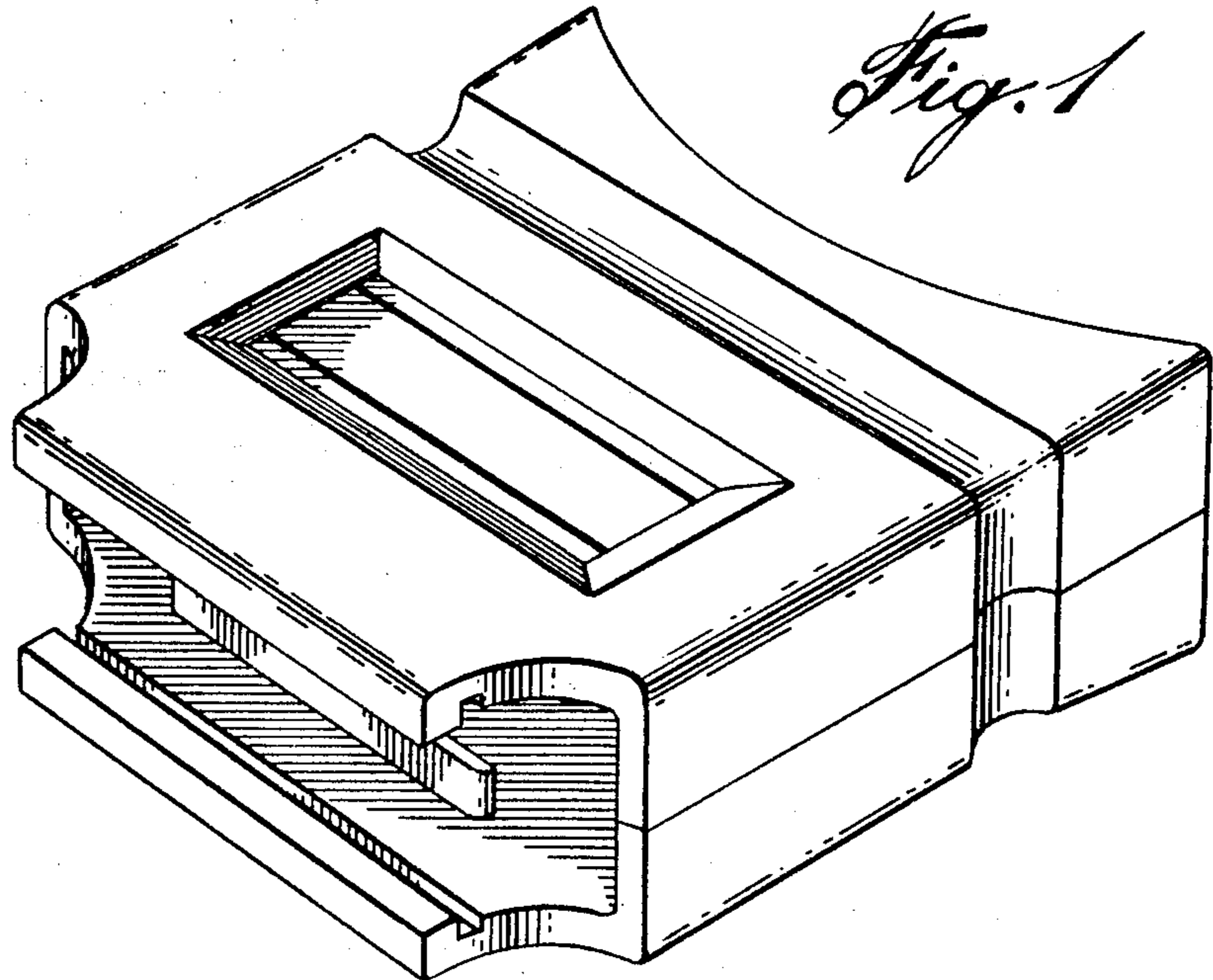
[57] **CLAIM**

The ornamental design for an electrical connector cover, as shown.

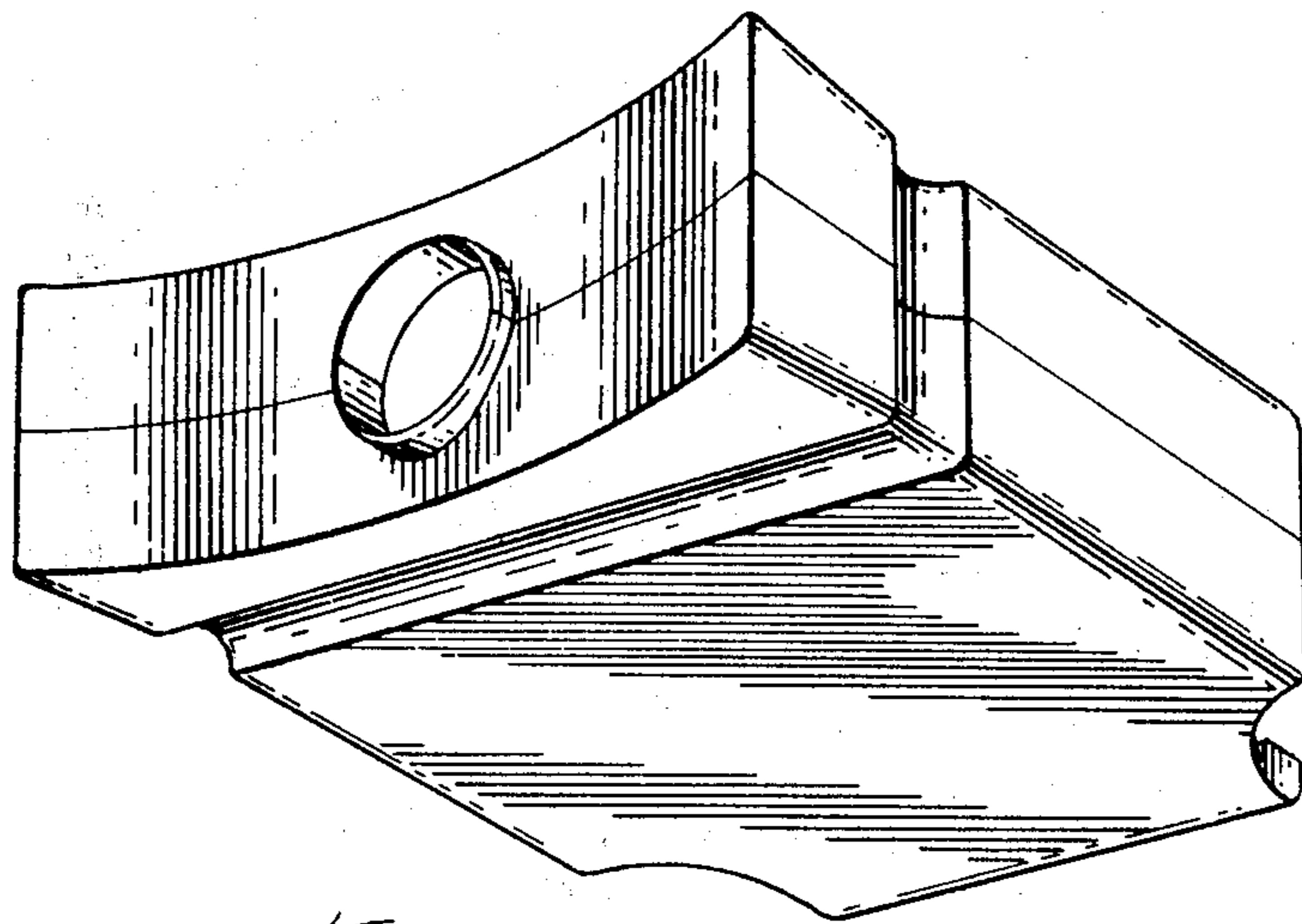
**DESCRIPTION**

FIG. 1 is a front perspective view of an electrical connector showing my new design;  
FIG. 2 is a rear perspective view thereof.





*Fig. 1*



*Fig. 2*