

[54] C.A.T.V. SIGNAL SPLITTER

[75] Inventor: David F. Shu, Hoffman Estate, Ill.

[73] Assignee: TDS, Inc., Elk Grove Village, Ill.

[**] Term: 14 Years

[21] Appl. No.: 306,001

[22] Filed: Sep. 28, 1981

[52] U.S. Cl. D1/311; D13/24

[58] Field of Search D13/11, 12, 13, 24,
D13/32, 99; 339/124, 177 R; 358/68; 174/48,
52, 59, 60; 339/18 C, 132 B, 132 R

[56] References Cited

U.S. PATENT DOCUMENTS

D. 261,503	10/1981	Shu	D13/11
3,676,744	7/1972	Pennypacker	174/59 X
3,951,490	4/1976	Devendorf	174/59 X
3,989,333	11/1976	Cauldwell	339/177 R X
4,025,150	5/1977	Nordberg et al.	339/177 R

Primary Examiner—Susan J. Lucas
Attorney, Agent, or Firm—Howard C. Miskin

[57] CLAIM

The ornamental design for a C.A.T.V. signal splitter, as shown and described.

DESCRIPTION

FIG. 1 is a front elevational view of a C.A.T.V. signal splitter showing my new design;
FIG. 2 is a right side elevational view thereof;
FIG. 3 is a top view thereof;
FIG. 4 is a left side elevational view thereof;
FIG. 5 is a bottom view thereof;
FIG. 6 is a rear elevational view thereof;
FIG. 7 is a perspective view of another embodiment, all other views being the same as the first shown embodiment;
FIG. 8 is a perspective view of a third embodiment, all other views being the same as the first shown embodiment.

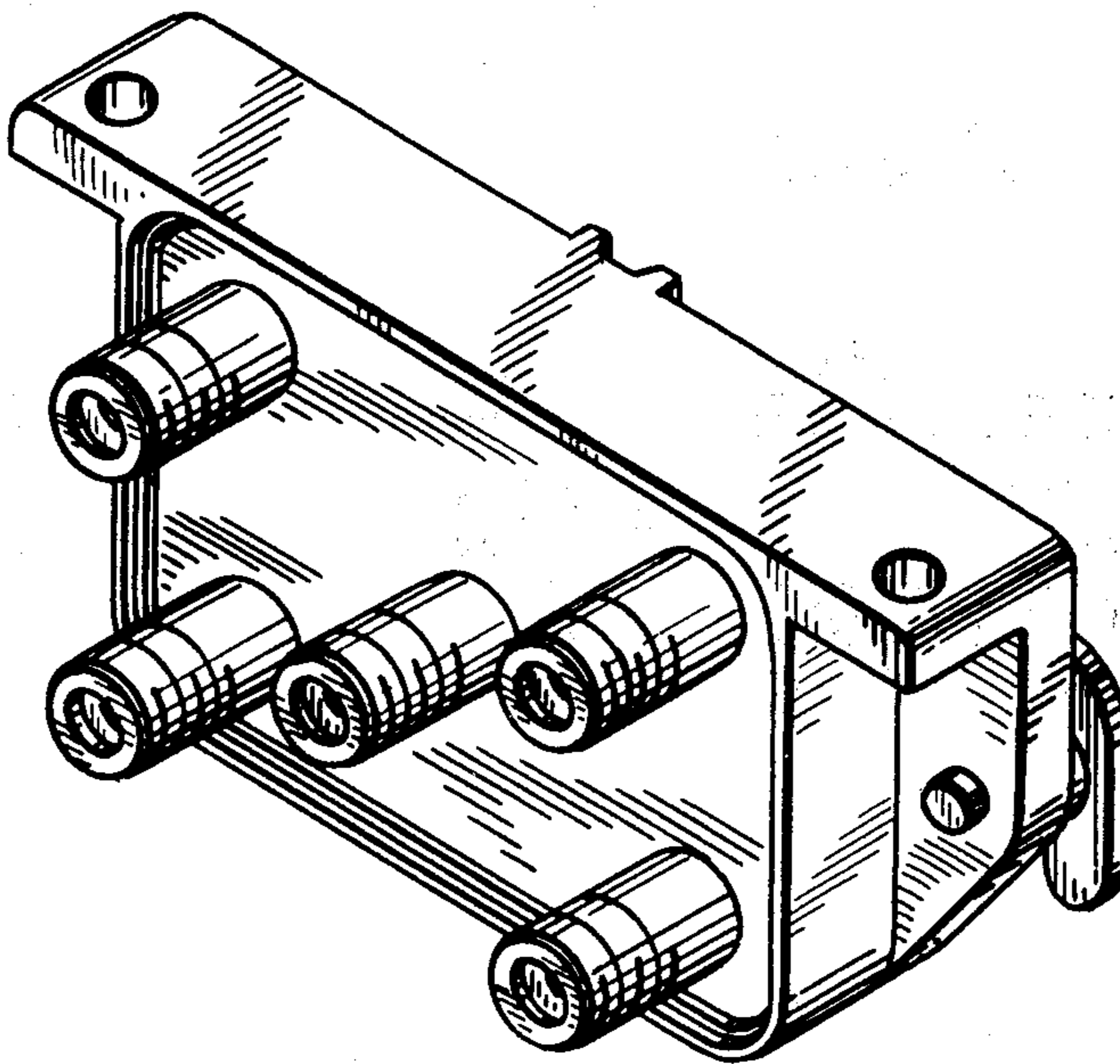


FIG. 1

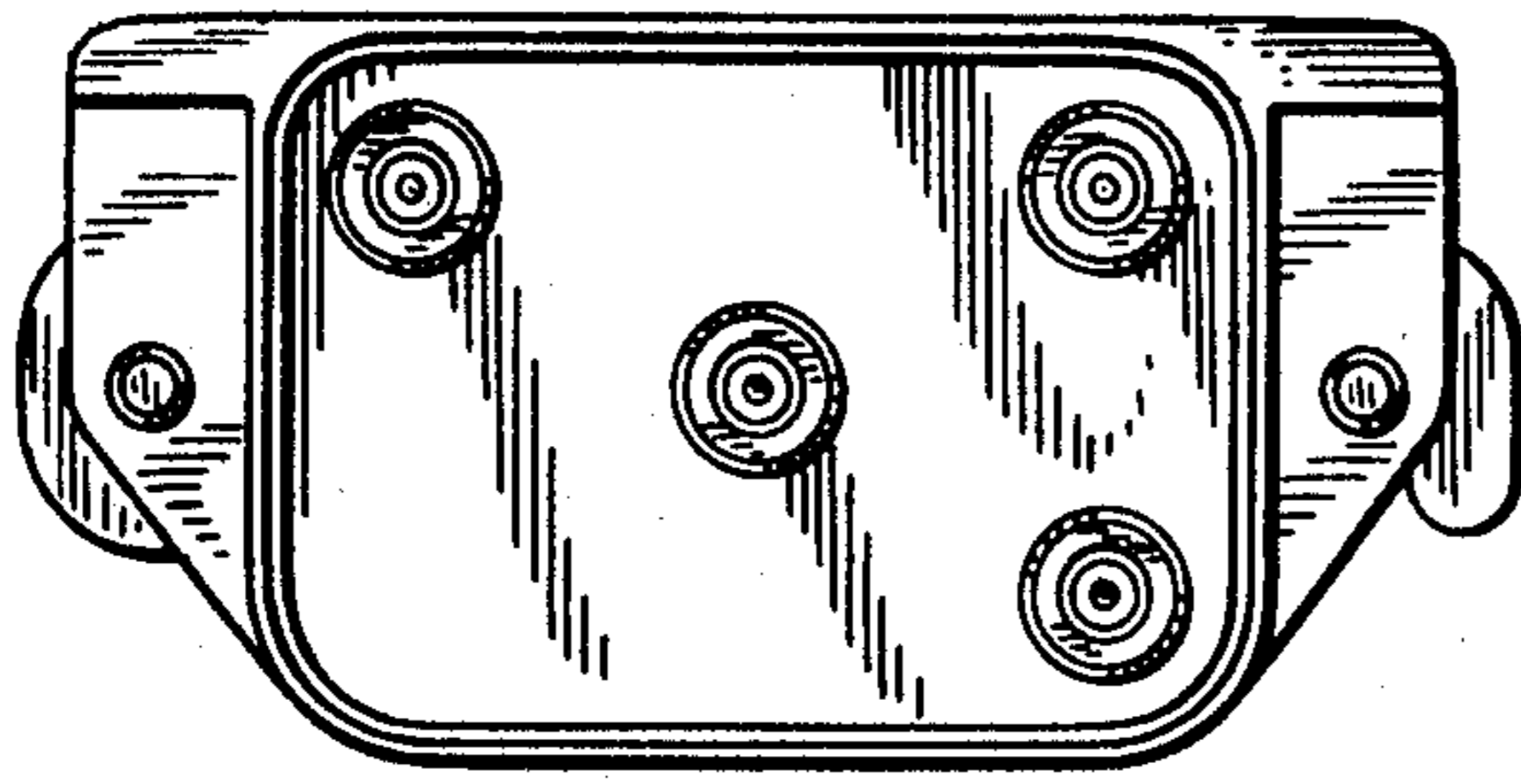


FIG. 2

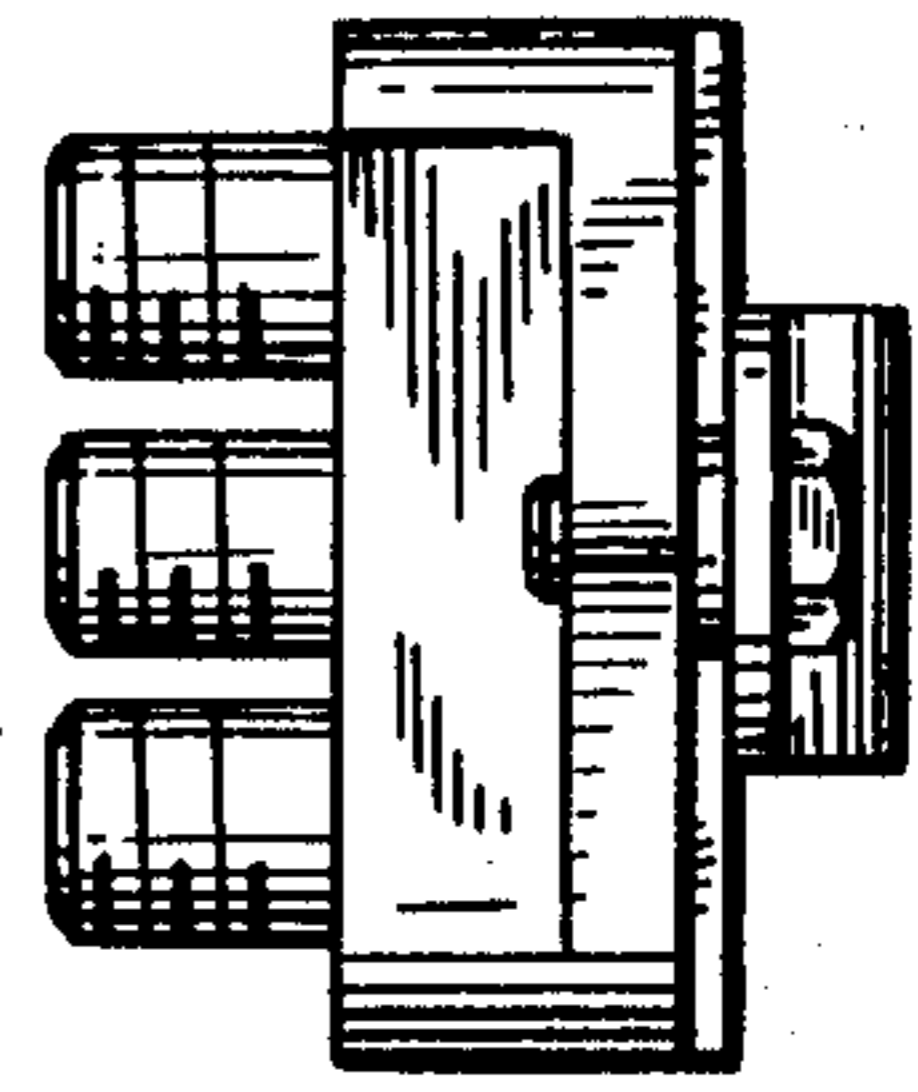


FIG. 3

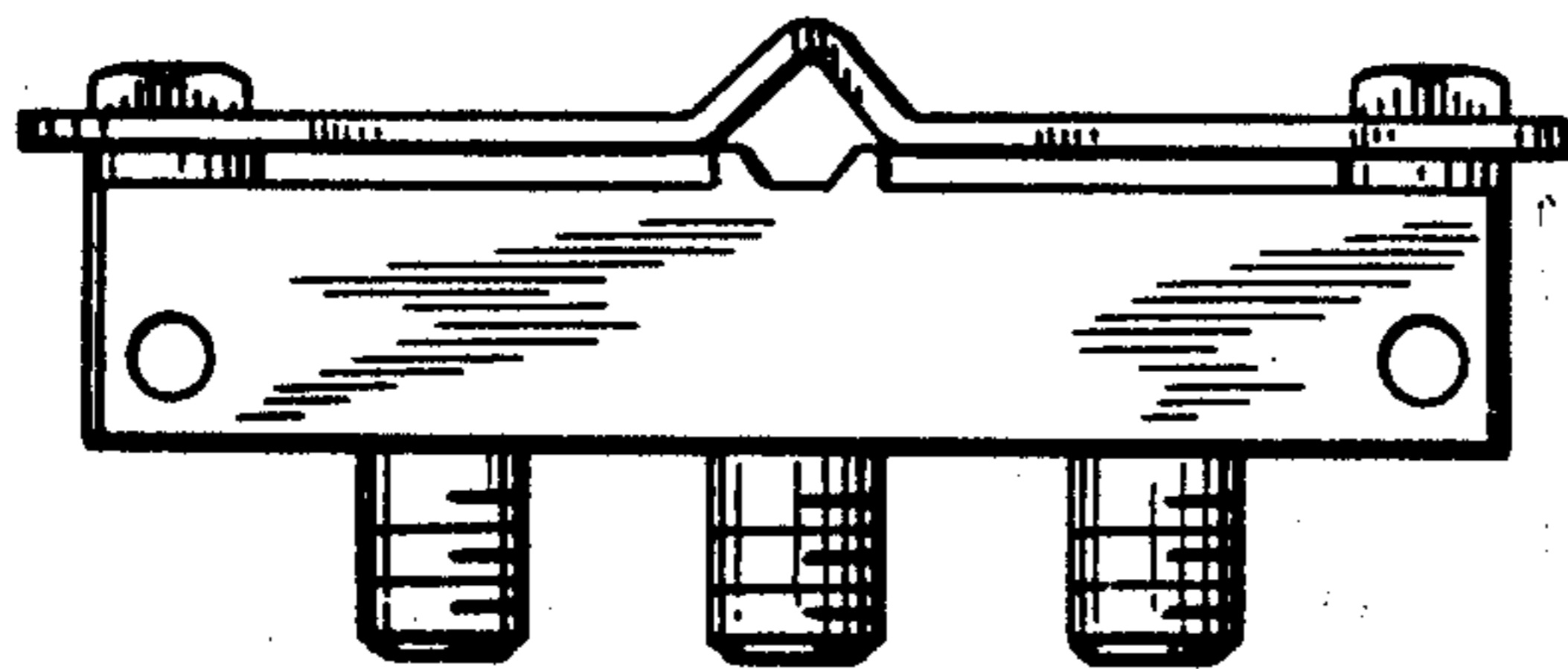


FIG. 4

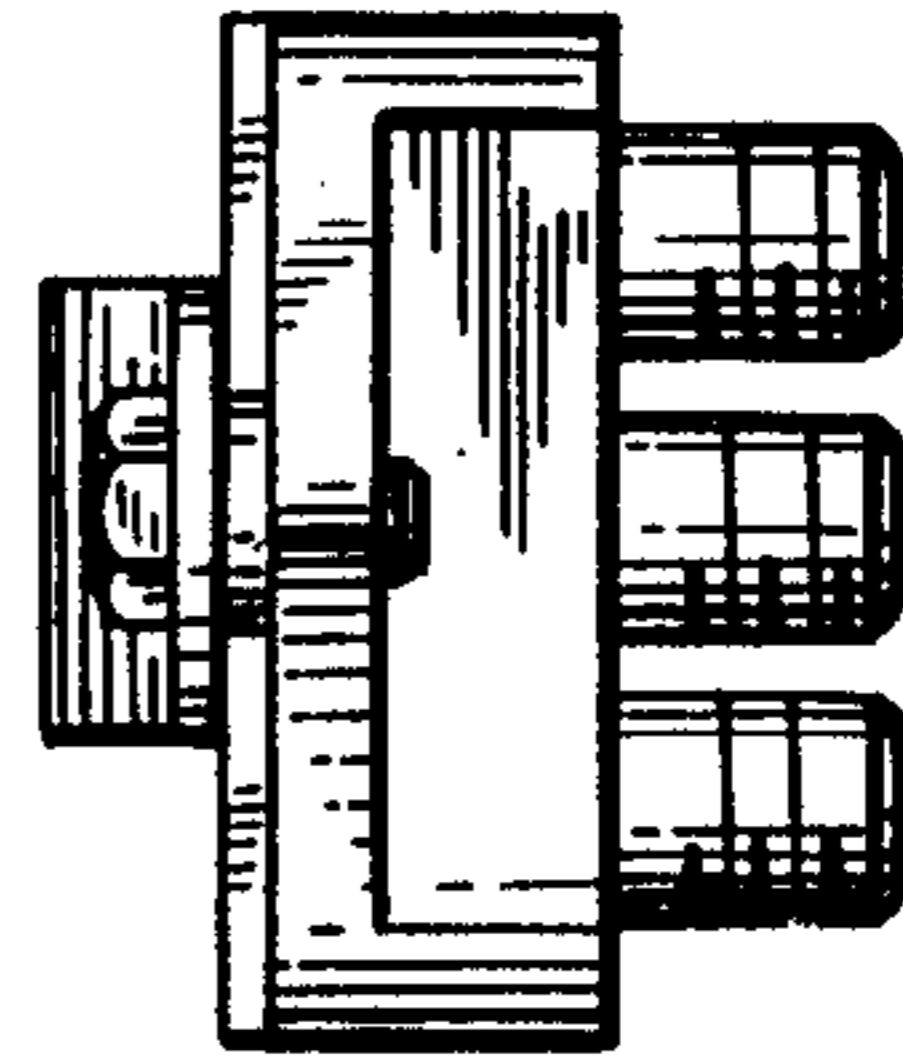


FIG. 5

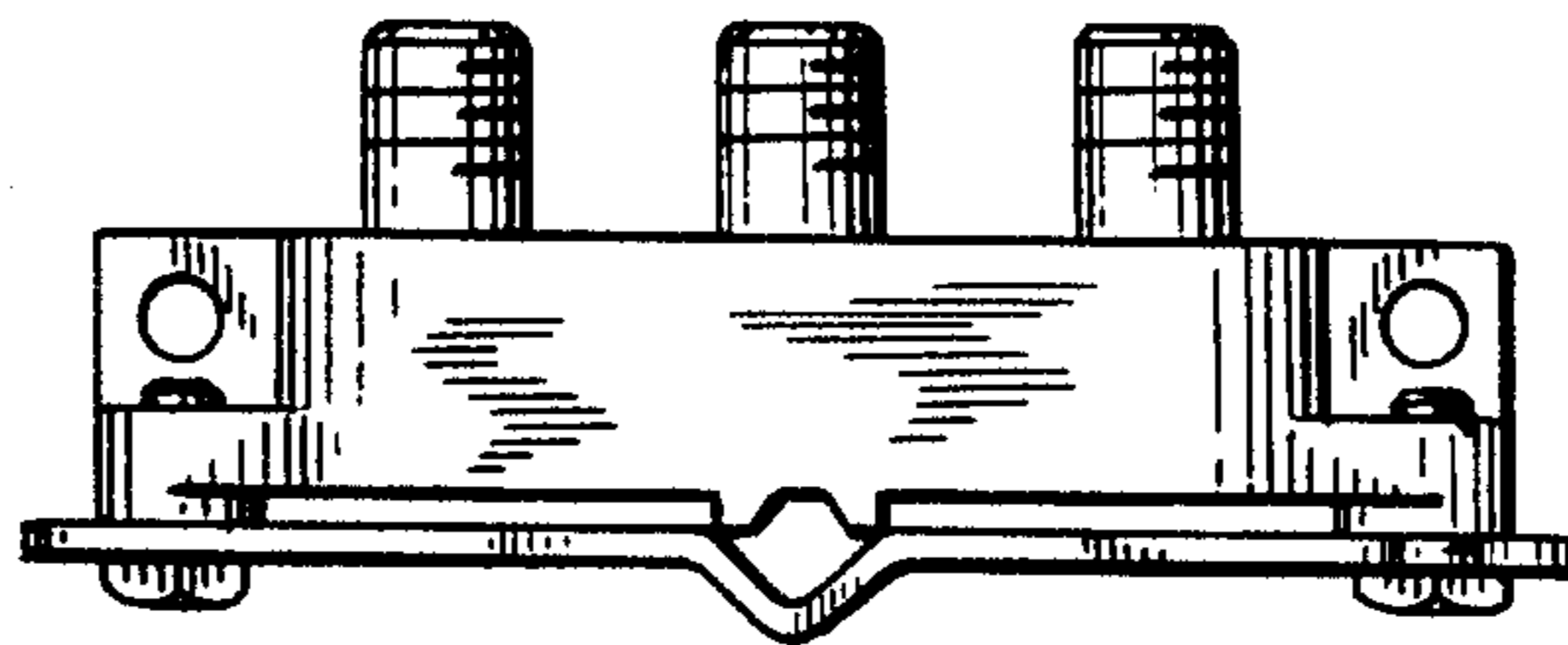


FIG. 6

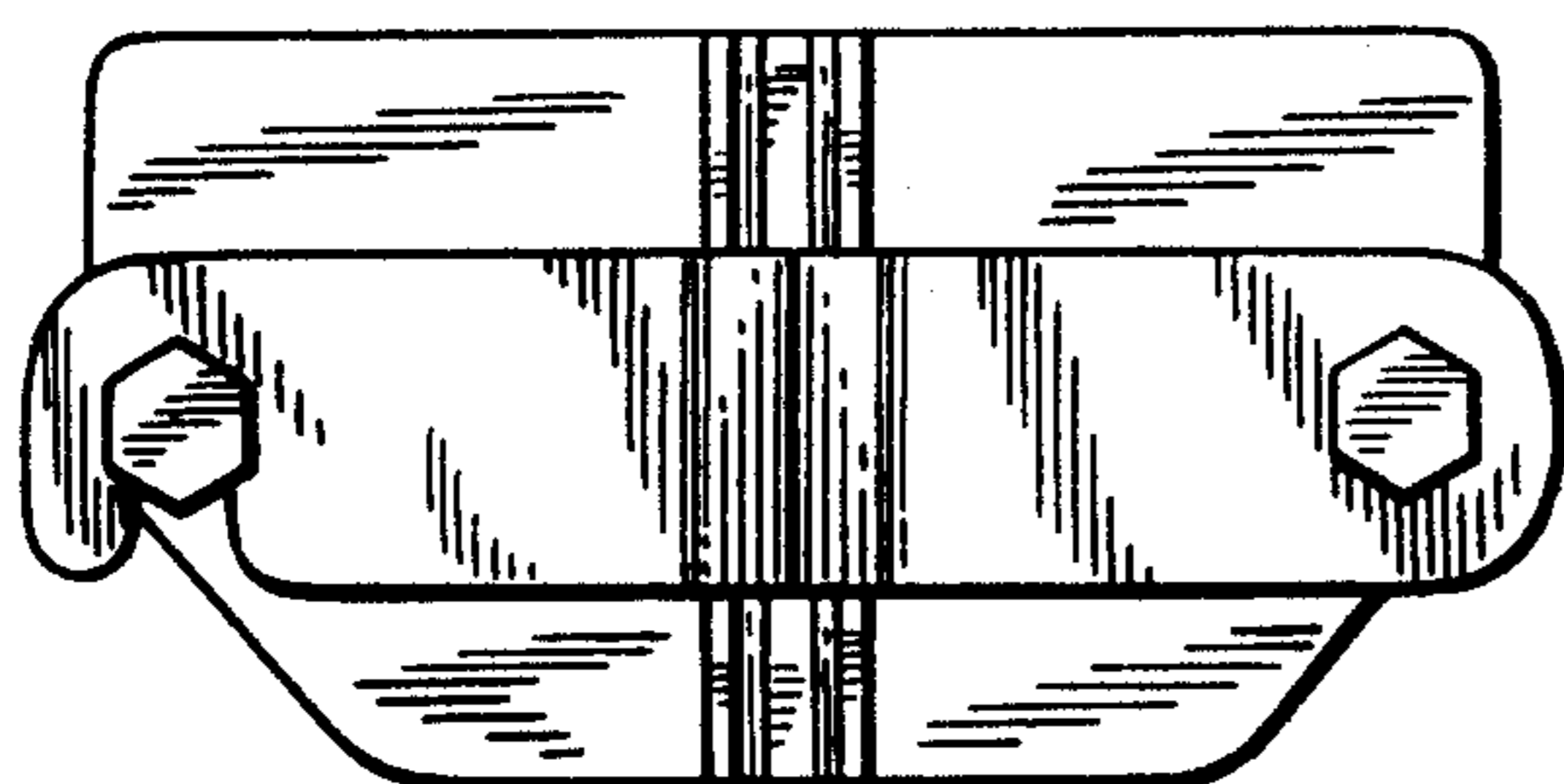


FIG. 7

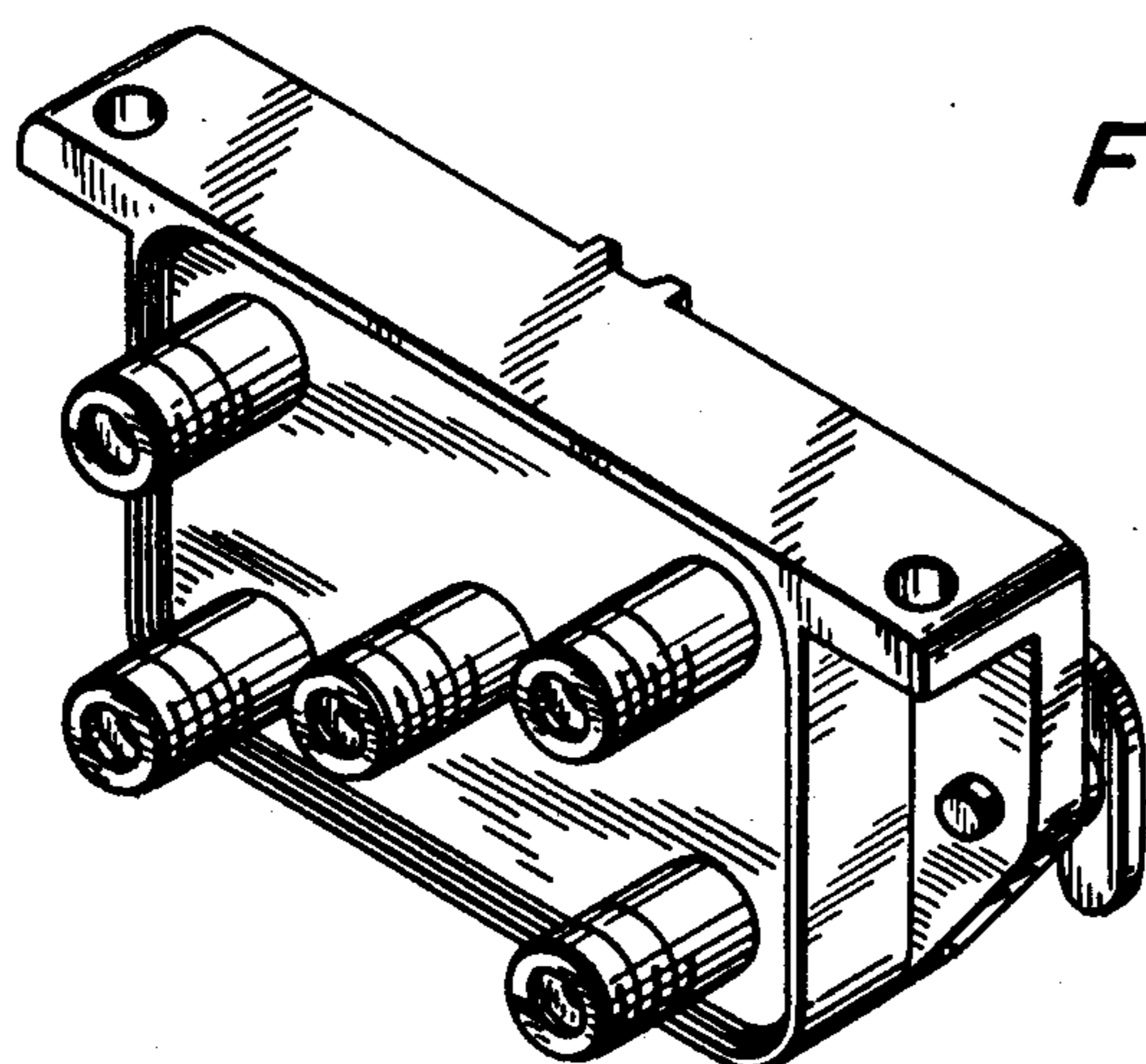


FIG. 8

