

[54] **WHEEL HUB**

[75] **Inventor: Fritz Mahnig, Schaffhausen, Switzerland**

[73] **Assignee: George Fischer Ltd., Switzerland**

[**] **Term: 14 Years**

[21] **Appl. No.: 305,836**

[22] **Filed: Sep. 25, 1981**

[52] **U.S. Cl. D12/207**

[58] **Field of Search D12/207, 205; 301/105 R, 108 R, 108 S**

[56] **References Cited**

U.S. PATENT DOCUMENTS

D. 267,169 12/1982 Suzuki et al. D12/205
2,781,231 2/1957 Black 301/105 R
3,597,003 8/1971 Kraus D12/207

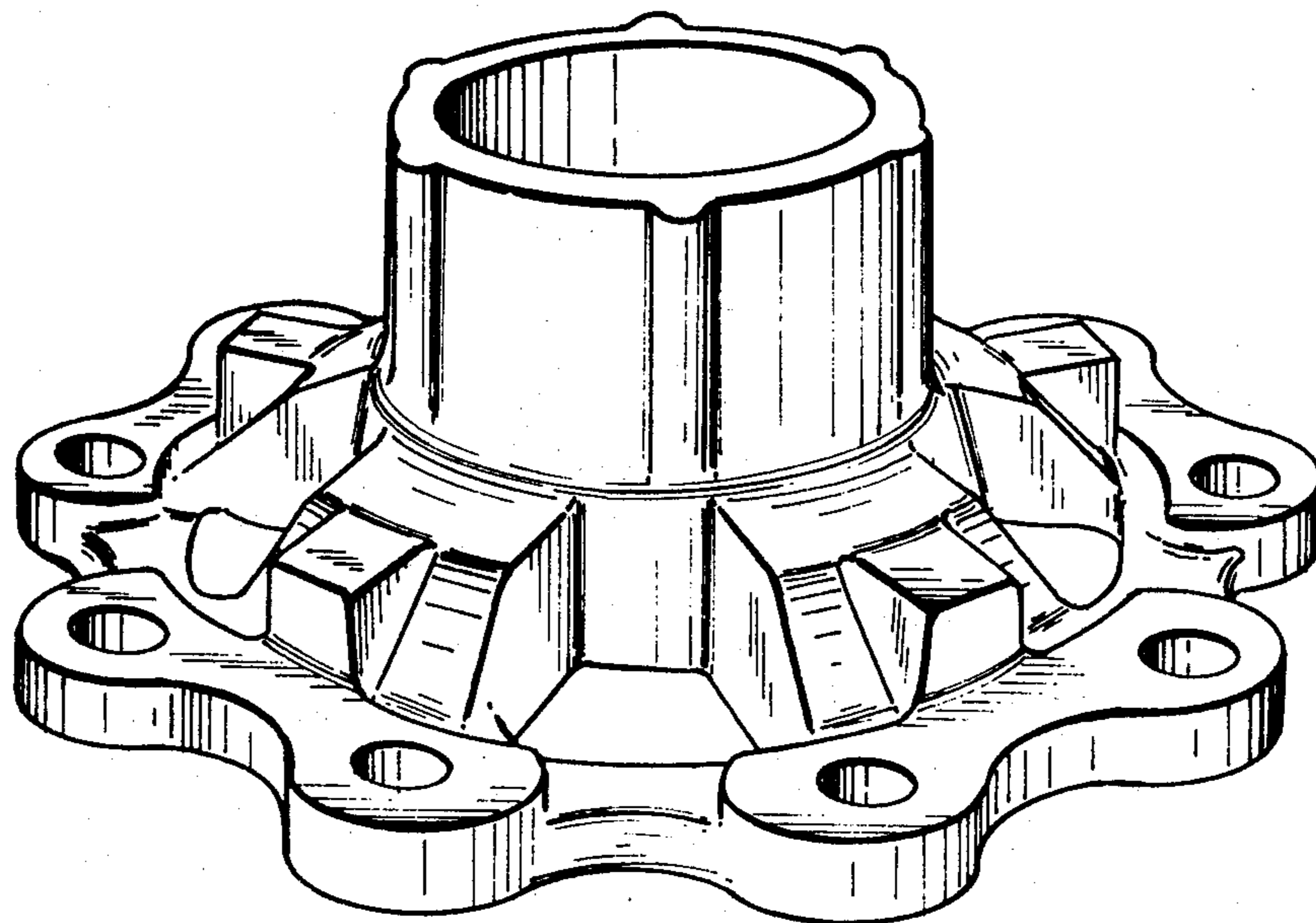
Primary Examiner—James M. Gandy
Attorney, Agent, or Firm—Roylance, Abrams, Berdo & Goodman

[57] **CLAIM**

The ornamental design for a wheel hub, as shown.

DESCRIPTION

FIG. 1 is a front perspective view of a wheel hub showing my new design;
FIG. 2 is a side perspective view thereof; and
FIG. 3 is a rear perspective view thereof.



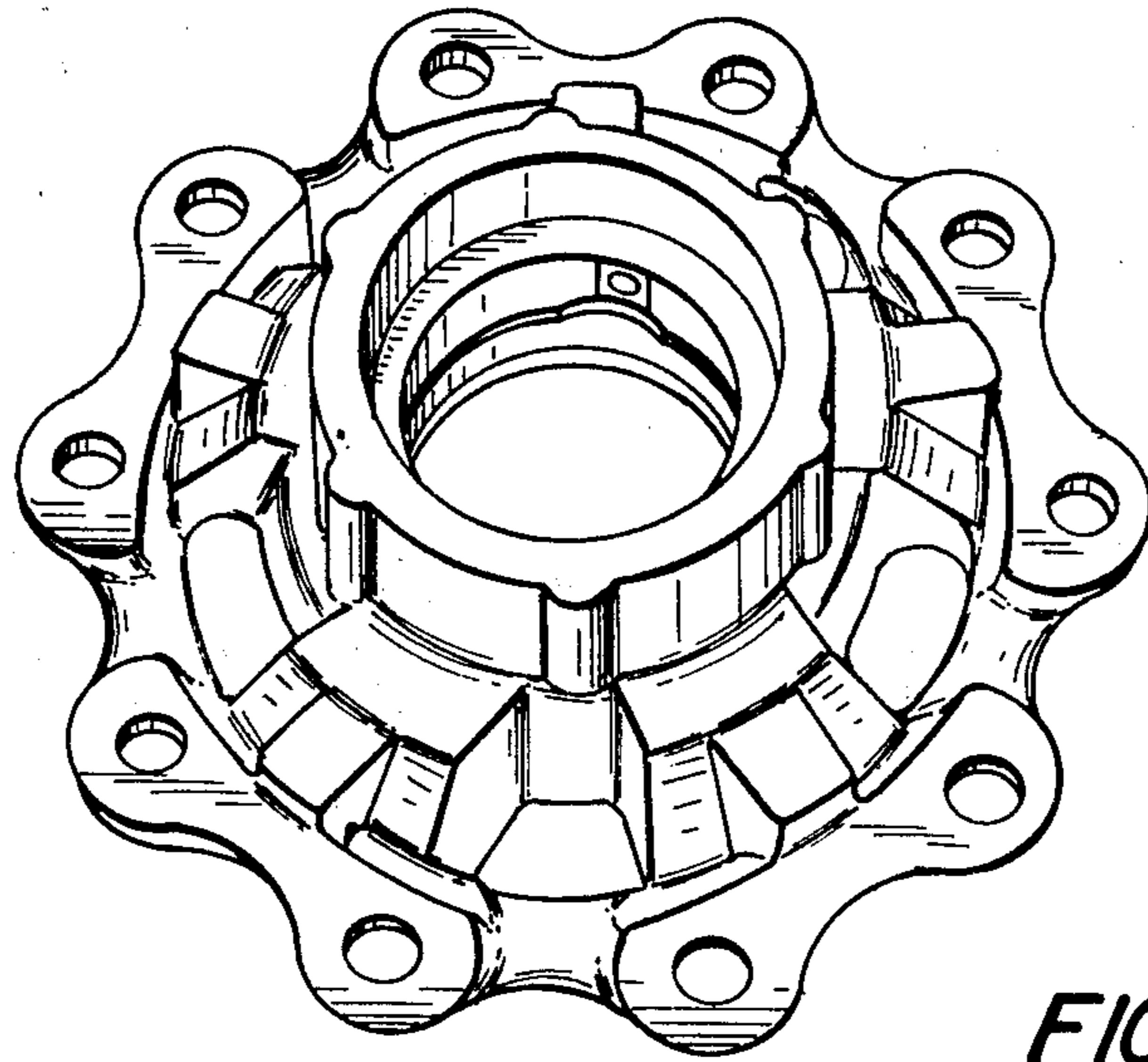


FIG. 1

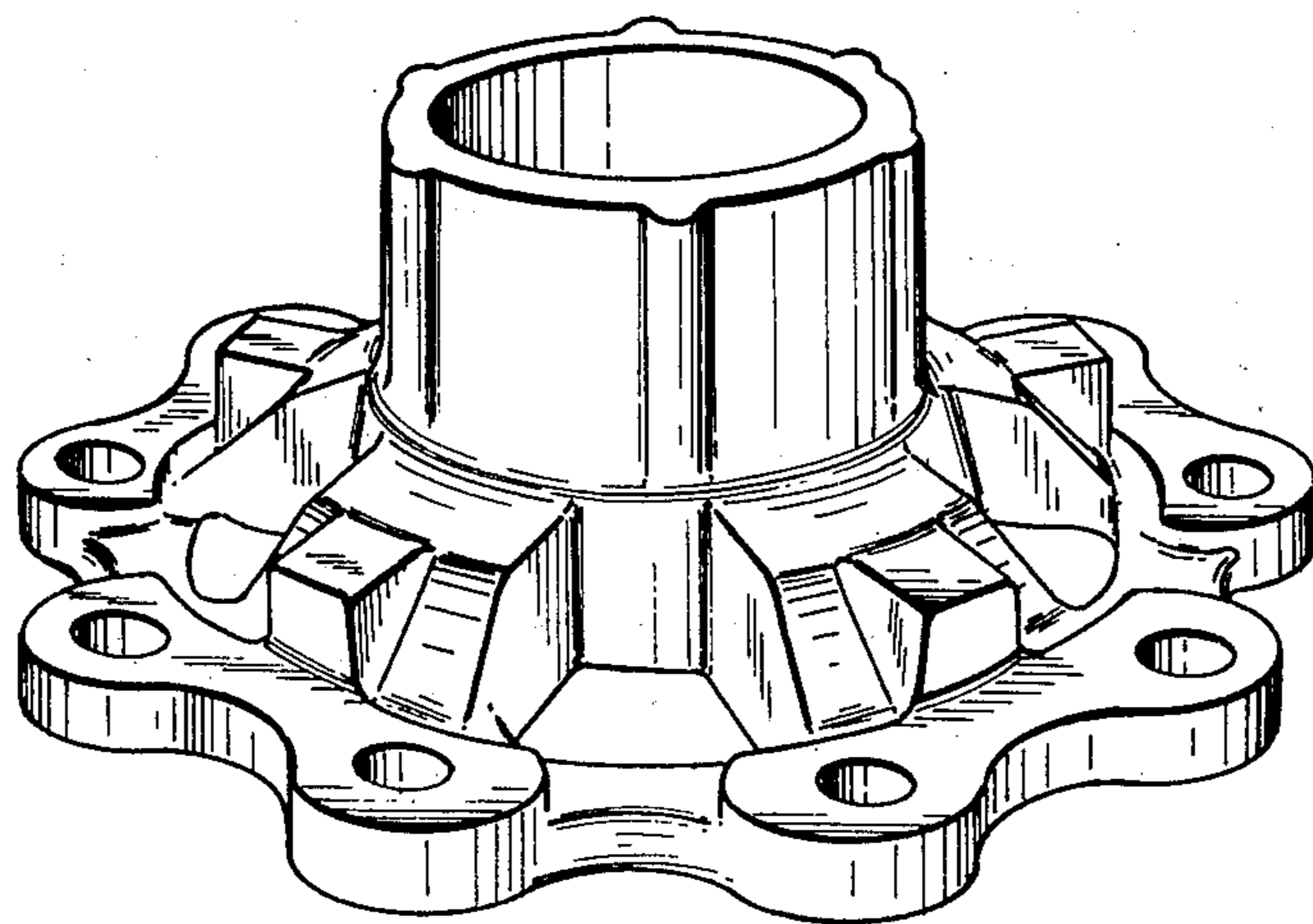


FIG. 2

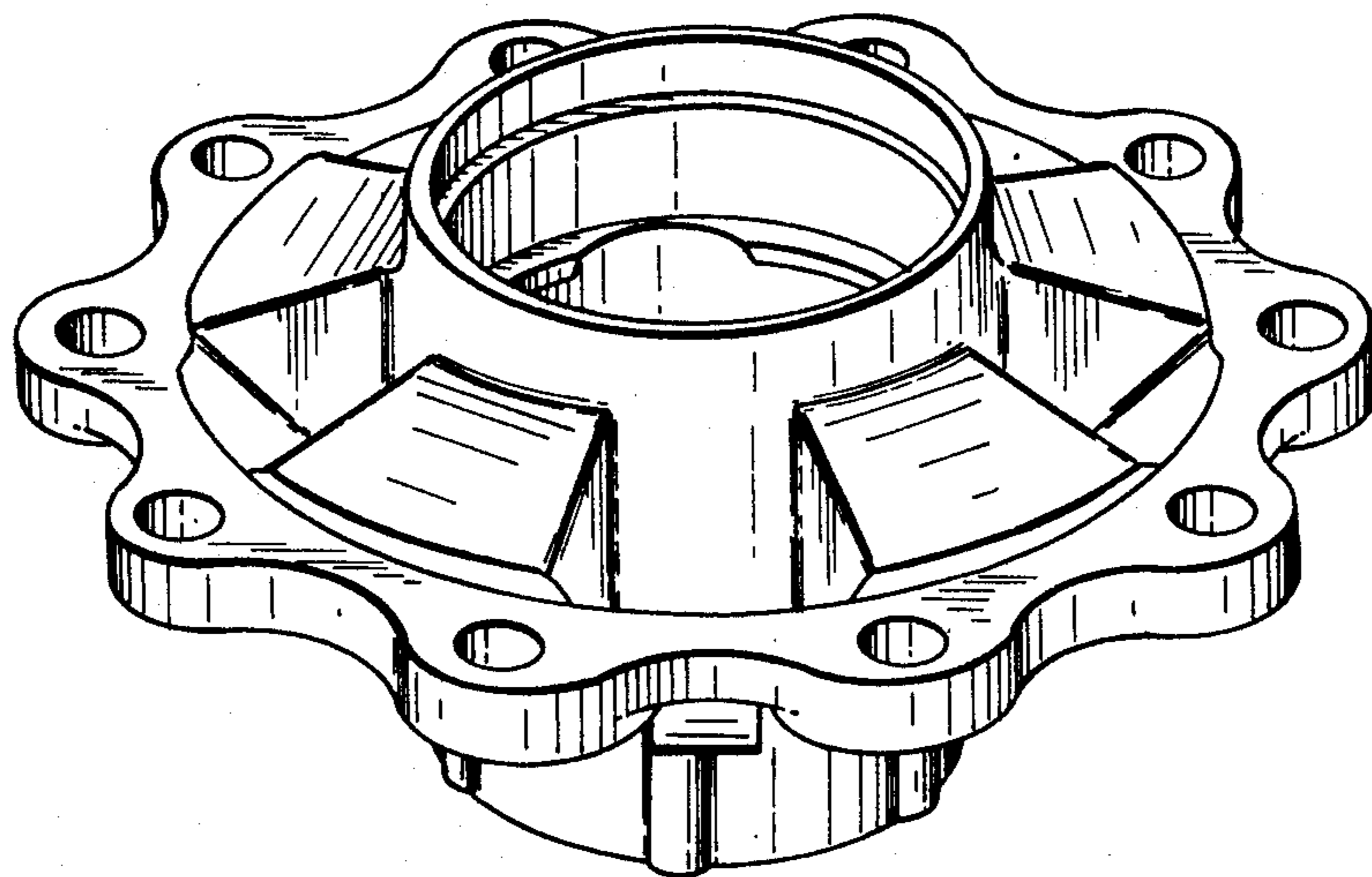


FIG. 3