

[54] **STROLLER**

[75] **Inventor: Richard E. Cone, Dayton, Ohio**

[73] **Assignee: Questor Corporation, Tampa, Fla.**

[**] **Term: 14 Years**

[21] **Appl. No.: 306,471**

[22] **Filed: Sep. 28, 1981**

[52] **U.S. Cl. D12/129**

[58] **Field of Search D12/129; 280/642, 650,
280/658, 47.4**

[56] **References Cited**

U.S. PATENT DOCUMENTS

D. 239,523 4/1976 Firth et al. D12/129

OTHER PUBLICATIONS

1980 Best Catalog, p. 418, Hedstrom Contentntal Stroller [E] second row down from top of page.

1979 Sears Fall & Winter Catalog, p. 358, Perego Stroller, top center of page.

Primary Examiner—James M. Gandy
Attorney, Agent, or Firm—Donald R. Bahr

[57] **CLAIM**

The ornamental design for a stroller, as shown and described.

DESCRIPTION

FIG. 1 is a front perspective view of a stroller showing my new design;

FIG. 2 is a front elevational view thereof;

FIG. 3 is a rear elevational view thereof;

FIG. 4 is a side elevational view thereof;

FIG. 5 is a top plan view thereof; and

FIG. 6 is a bottom plan view thereafter.



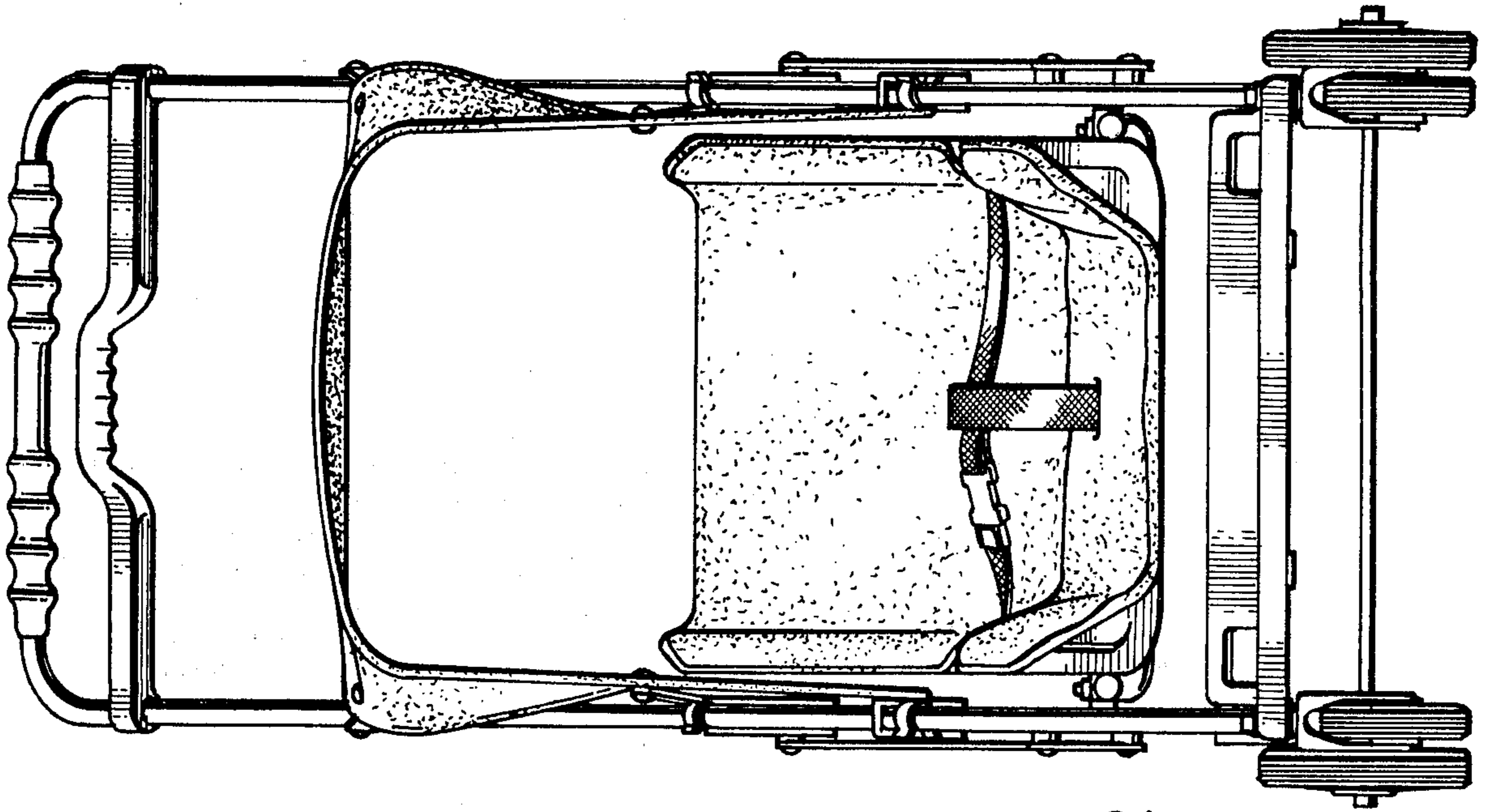


FIG. 2

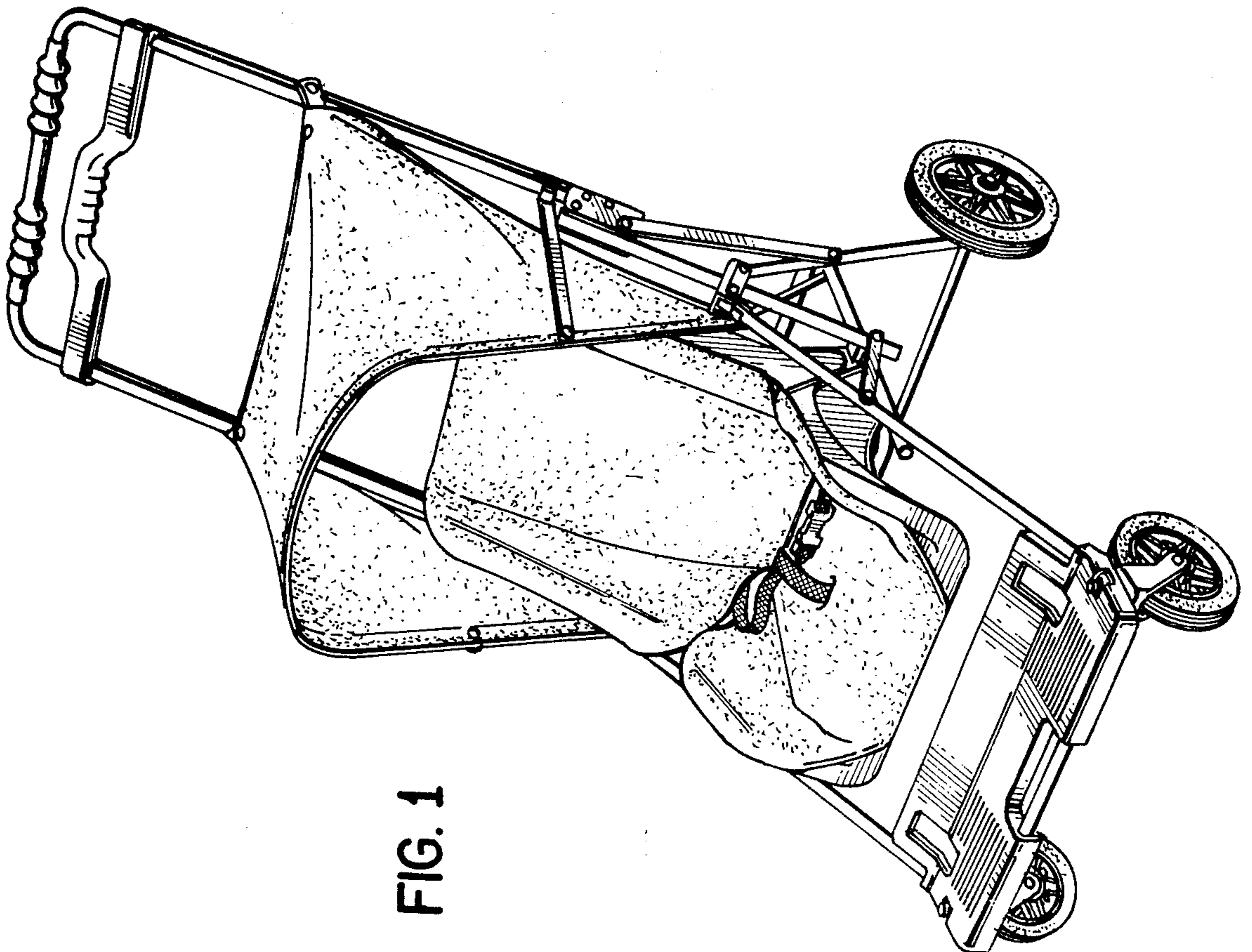


FIG. 1

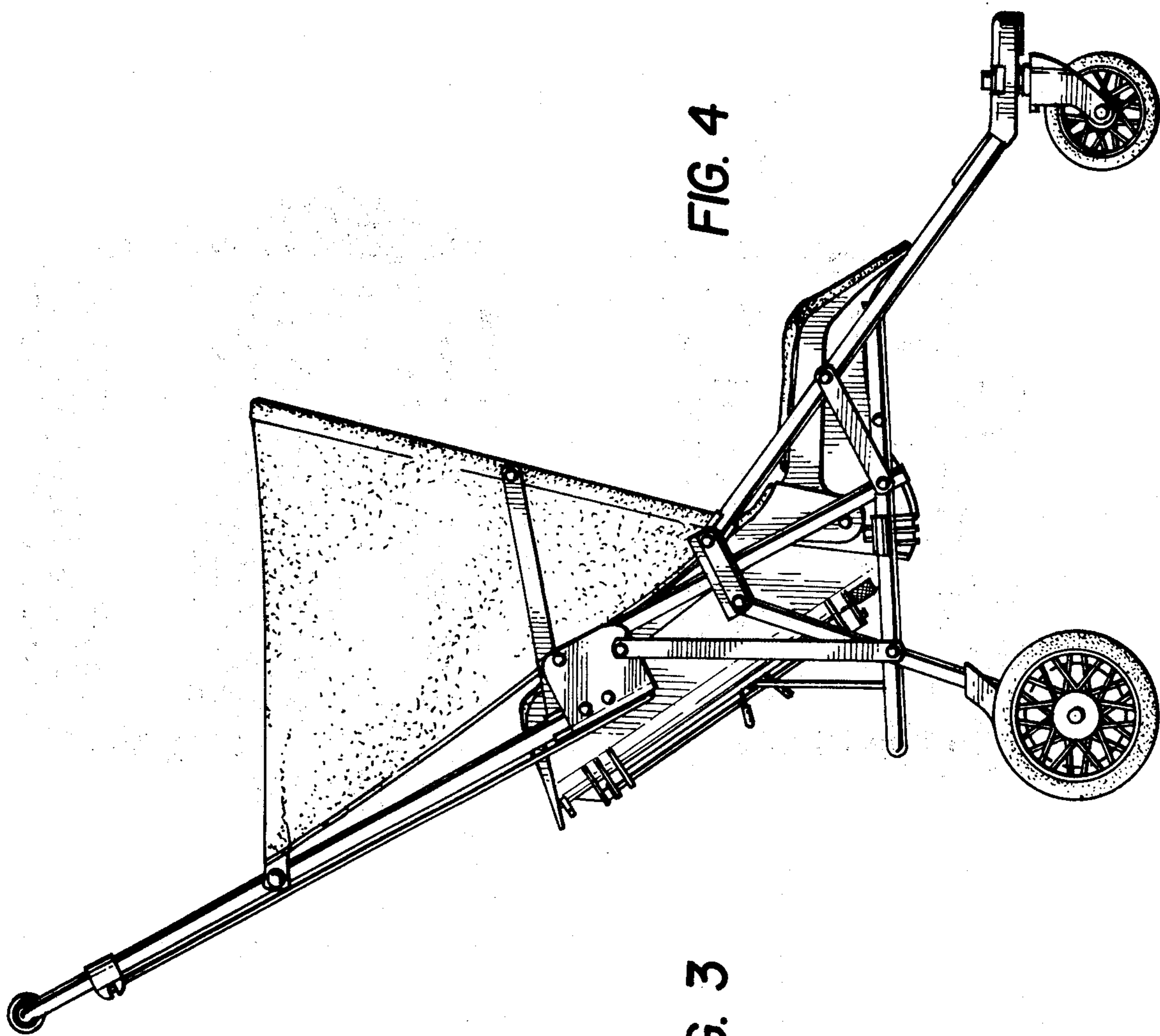


FIG. 4

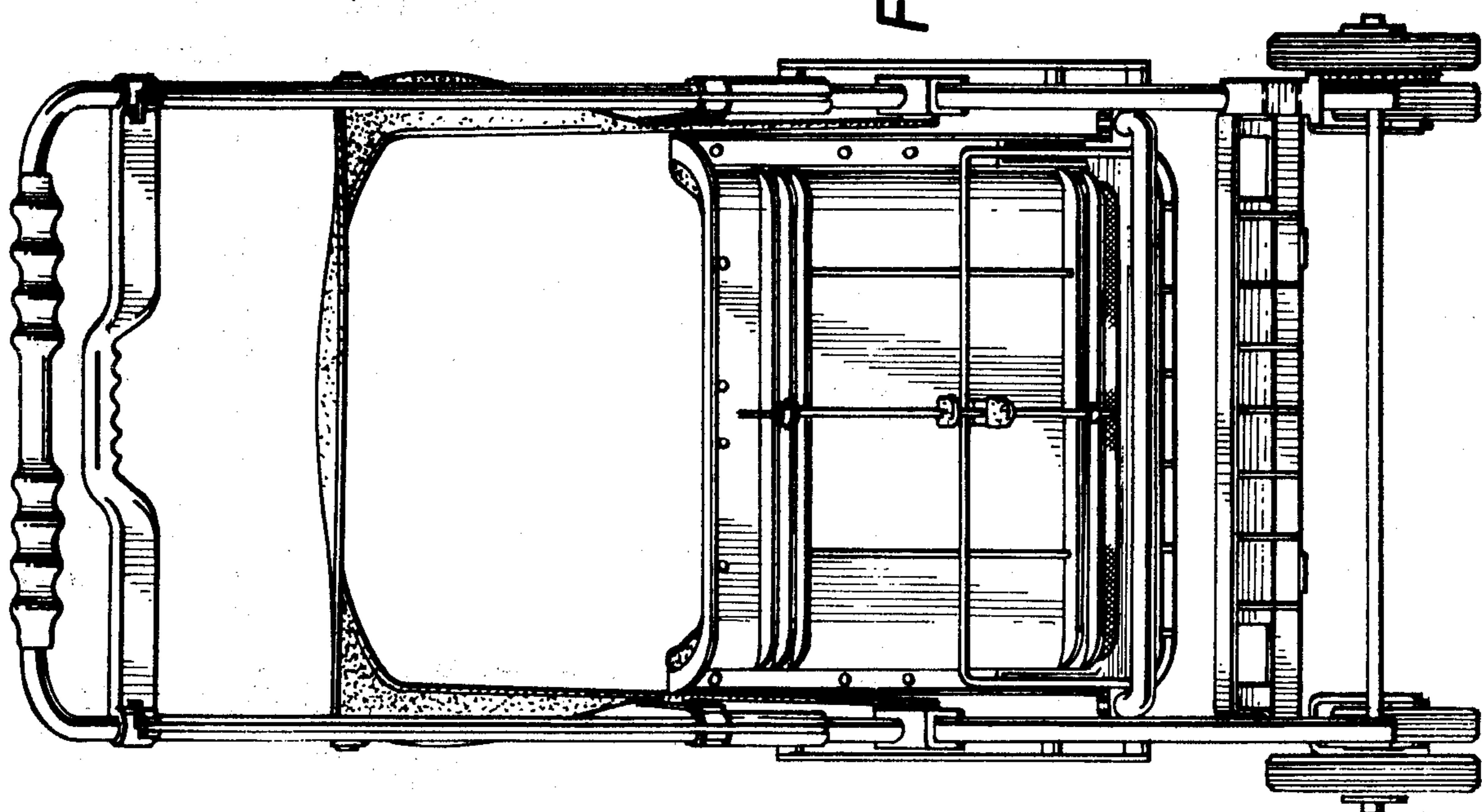


FIG. 3

FIG. 6

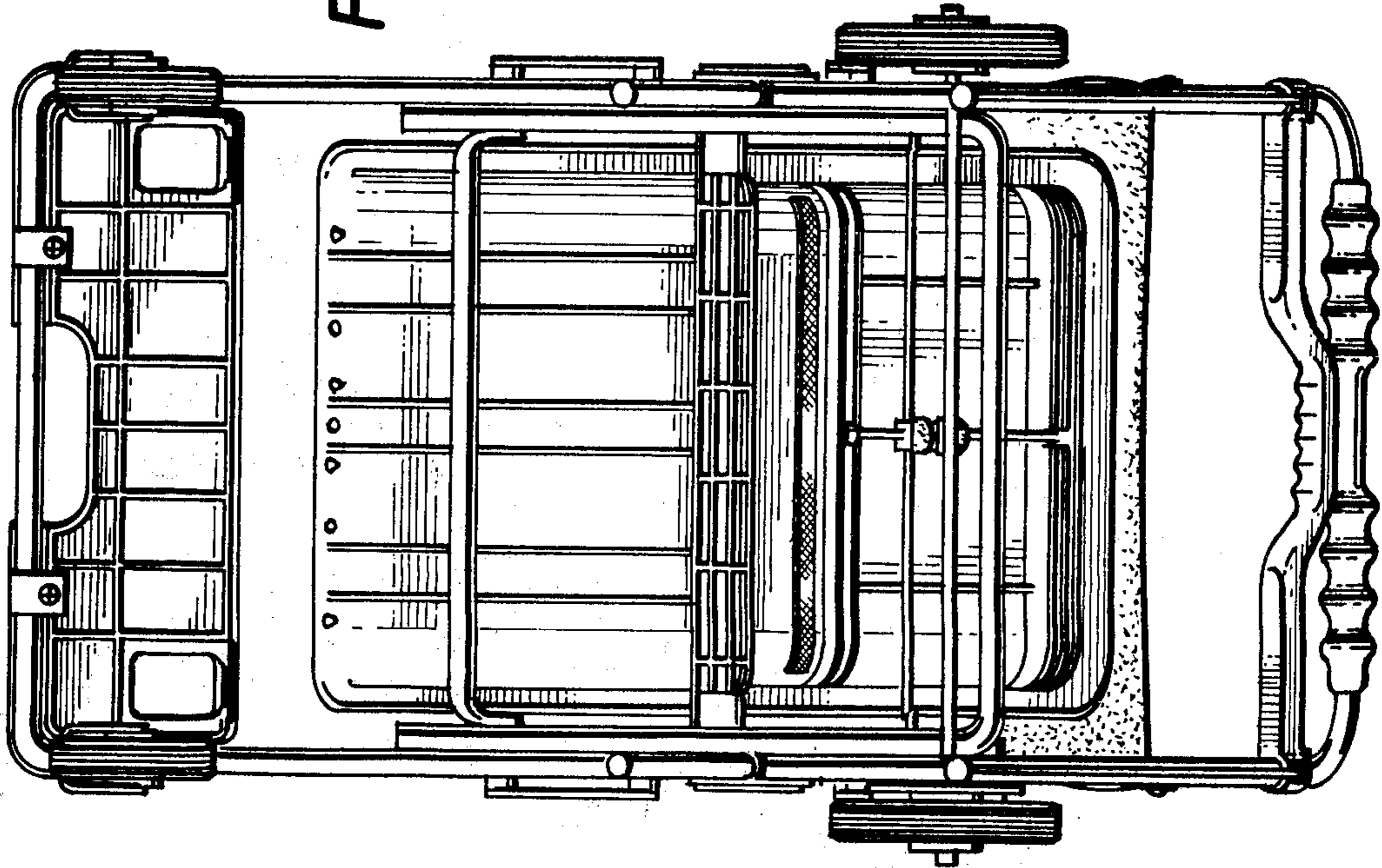


FIG. 5

