

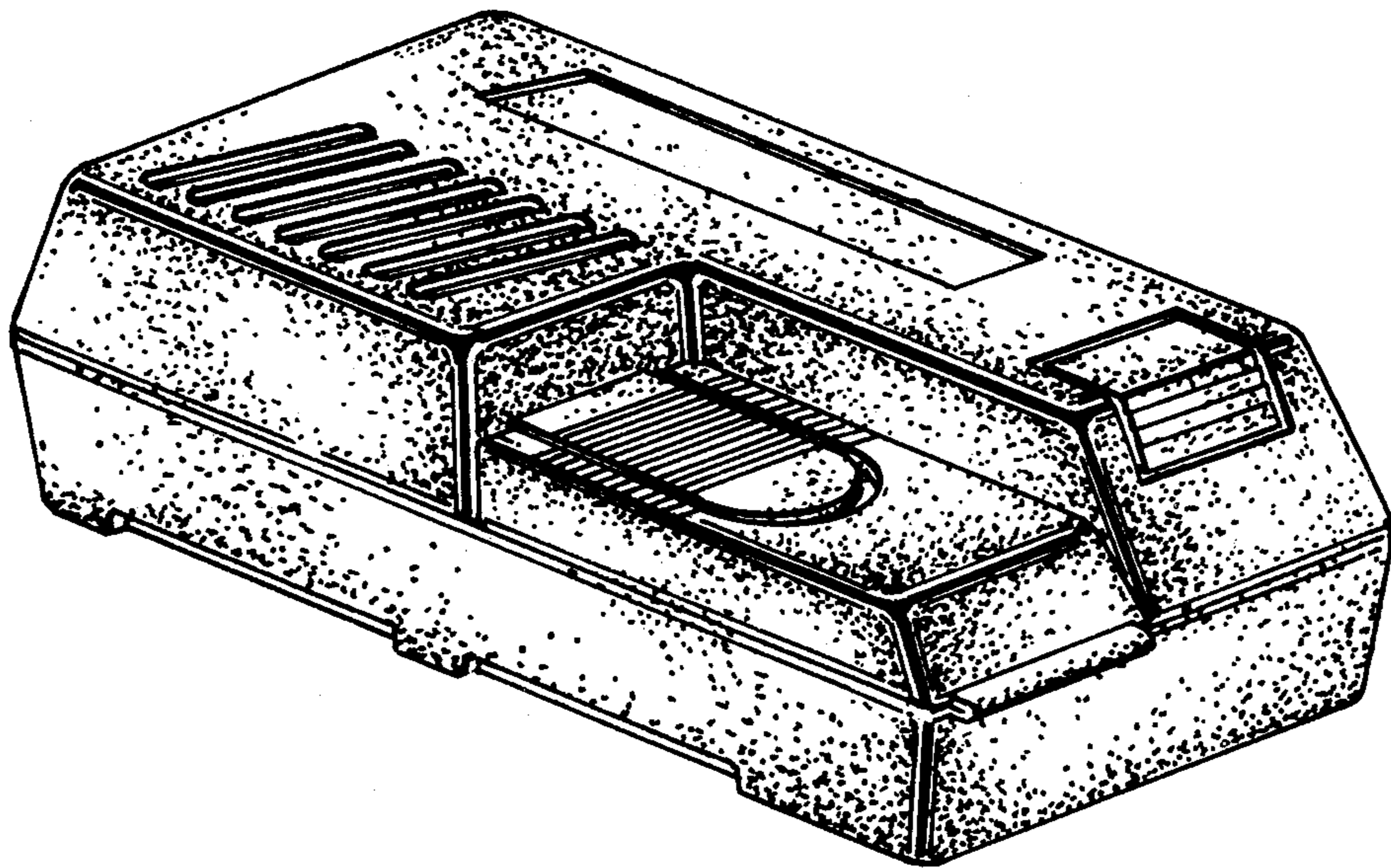
- [54] **CASING FOR A SIGNALING DEVICE OR SIMILAR ARTICLE**
- [76] **Inventor: Ernest French, 117 Somerville Rd., Hornsby, N.S.W., 2077, Australia**
- [**] **Term: 14 Years**
- [21] **Appl. No.: 322,715**
- [22] **Filed: Nov. 18, 1981**
- [52] **U.S. Cl. D10/104**
- [58] **Field of Search D10/104, 106; 340/311.1, 573, 693, 575, 576**

- [56] **References Cited**
U.S. PATENT DOCUMENTS
2,747,038 5/1956 Petkovich 340/693
3,177,481 4/1965 Joy et al. 340/573
3,668,528 6/1972 Hutchinsen et al. 340/311.1

Primary Examiner—Wallace R. Burke
Assistant Examiner—Suzanne N. Gitlin
Attorney, Agent, or Firm—Stevens, Davis, Miller & Mosher

[57] **CLAIM**
The ornamental design for a casing for a signaling device or similar article, as shown.

DESCRIPTION
FIG. 1 is a perspective view of a casing for a signaling device or similar article showing my new design; FIG. 2 is a top plan view thereof; FIG. 3 is a bottom plan view thereof; FIG. 4 is a front elevational view thereof; FIG. 5 is a rear elevational view thereof; FIG. 6 is a right side elevational view thereof; FIG. 7 is a left side elevational view thereof; and FIG. 8 is a perspective view, similar to FIG. 1 but showing the casing partially open.



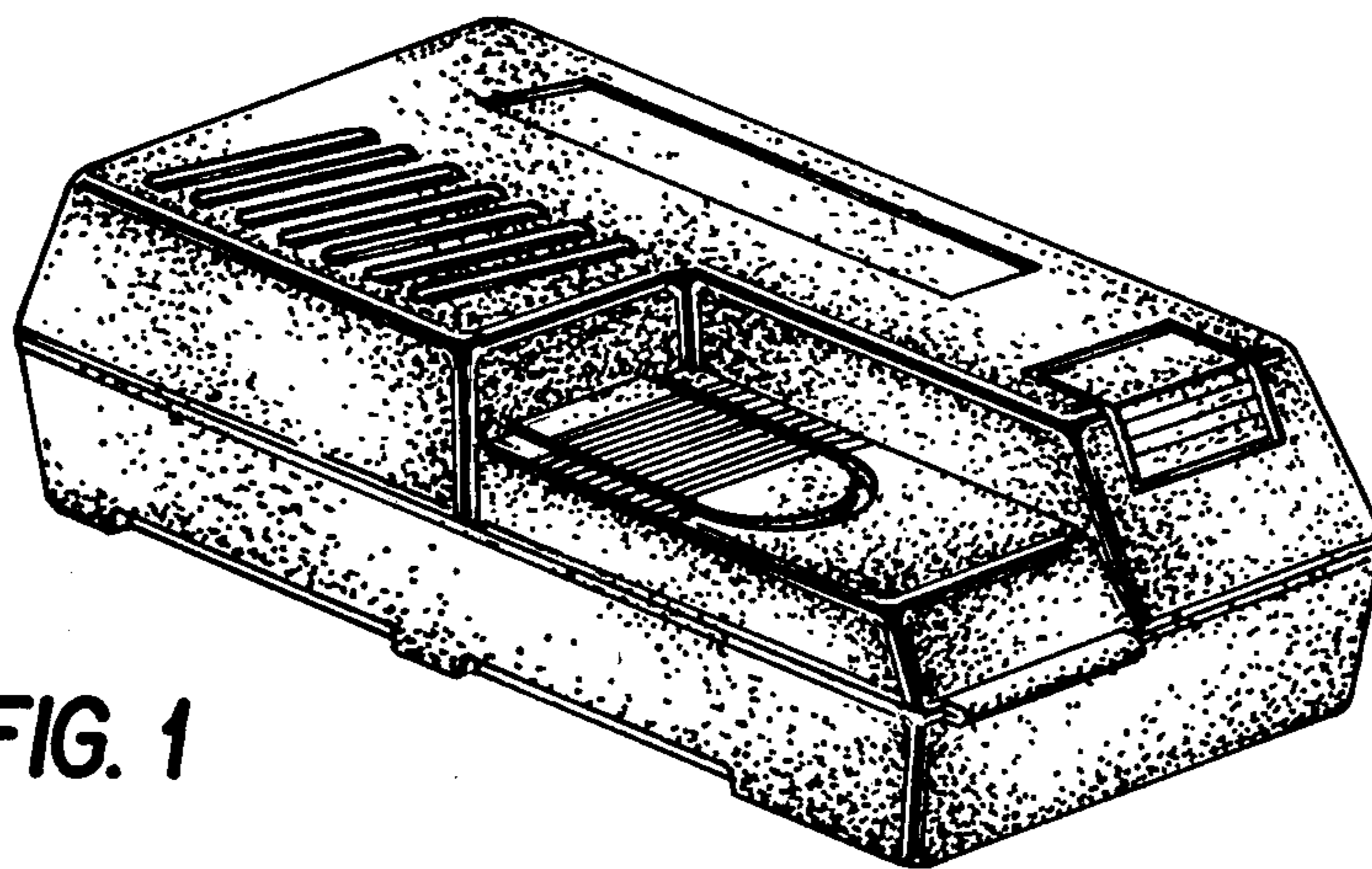


FIG. 1

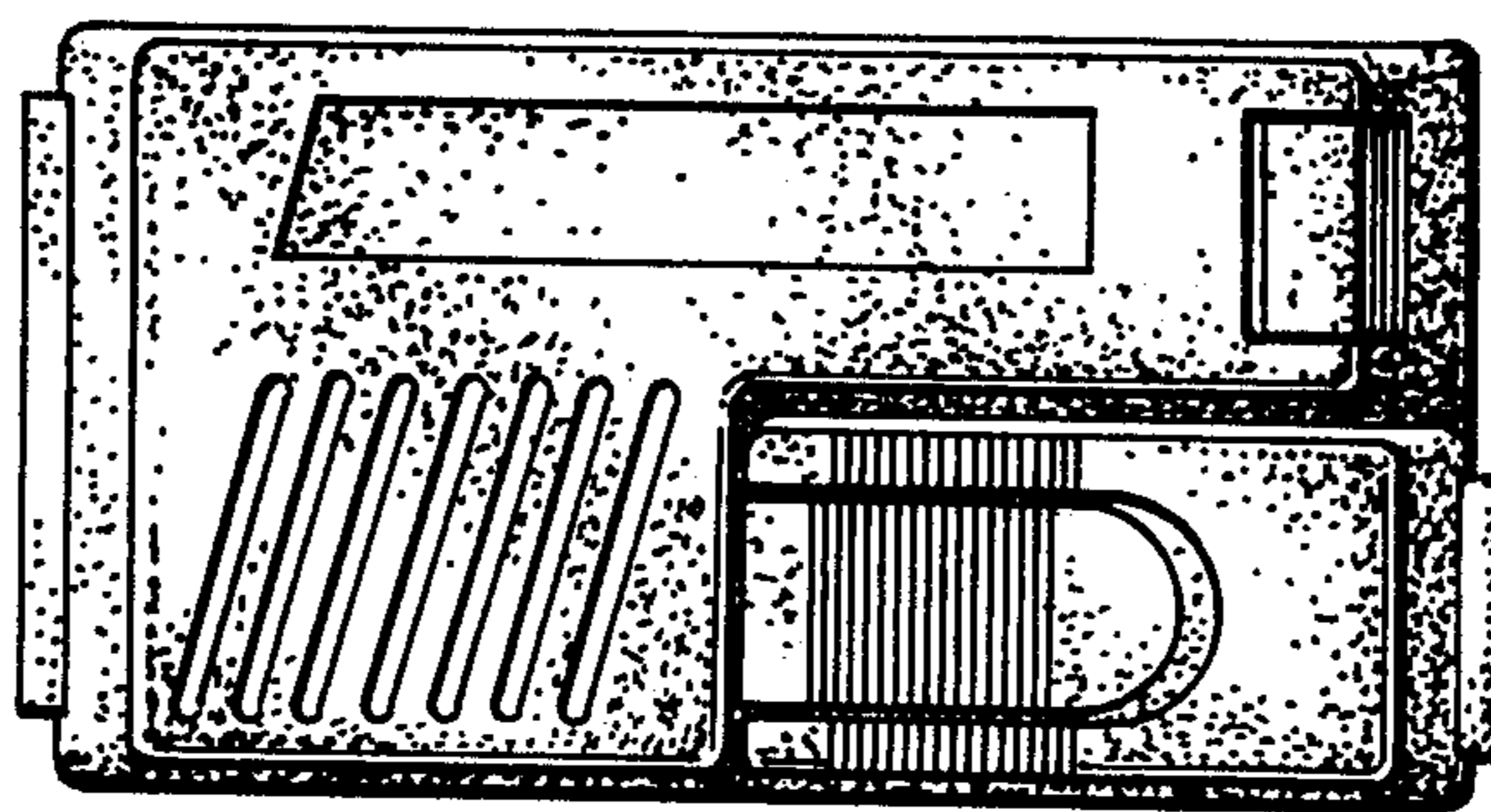


FIG. 2

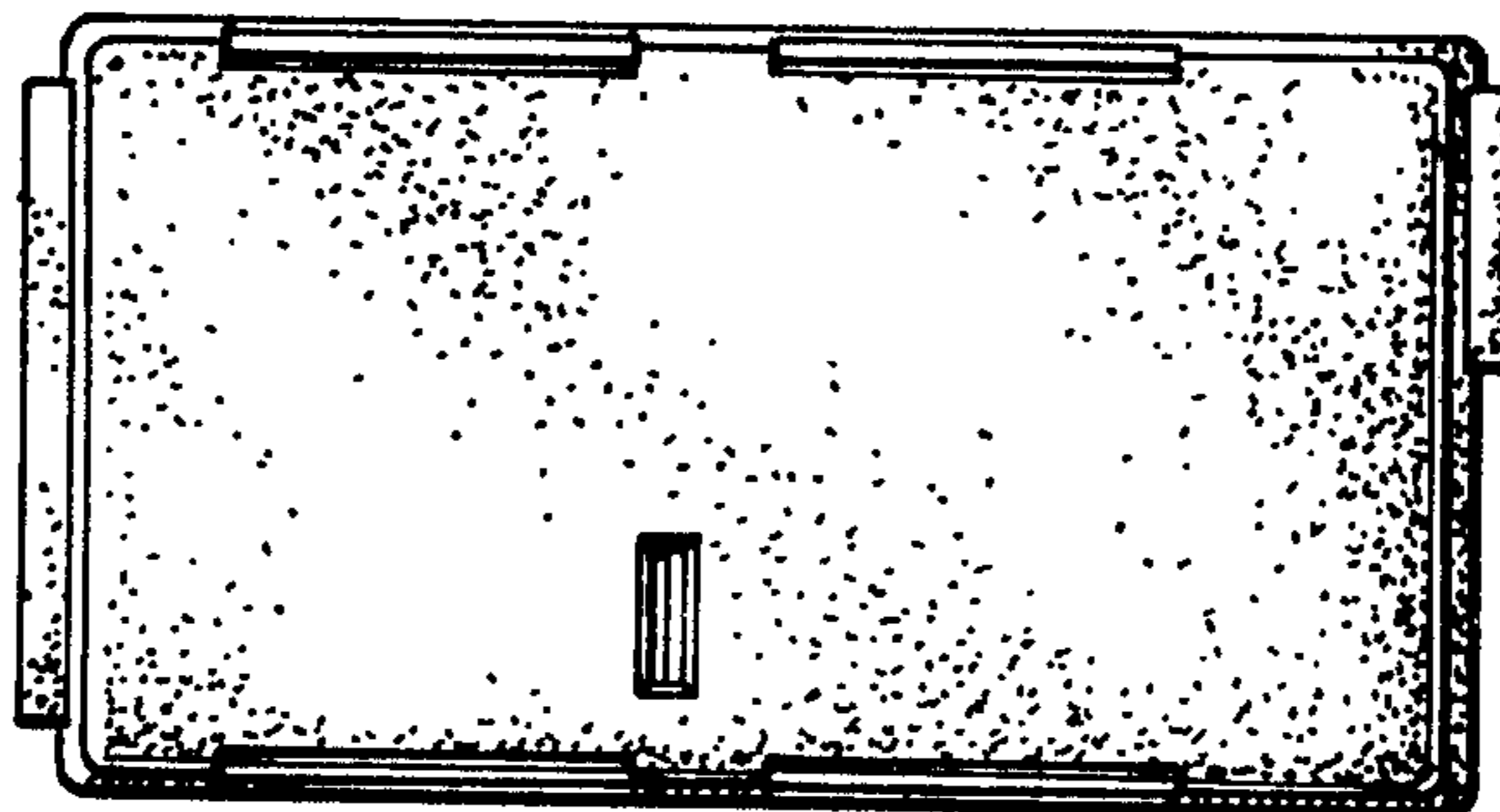


FIG. 3

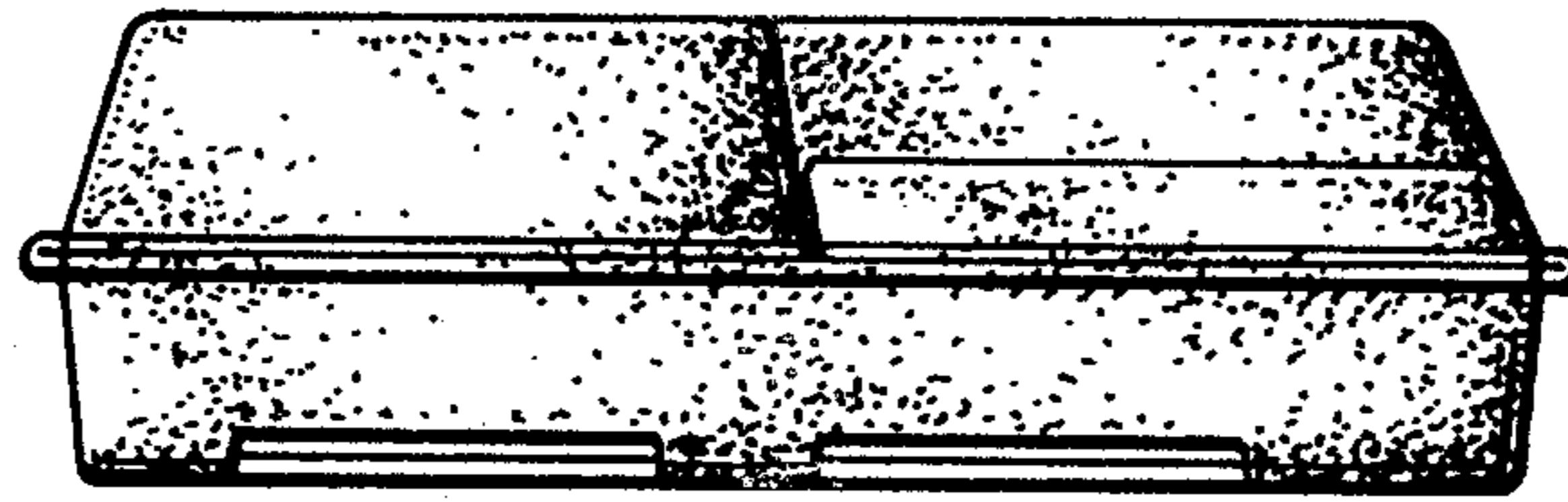


FIG. 4



FIG. 5

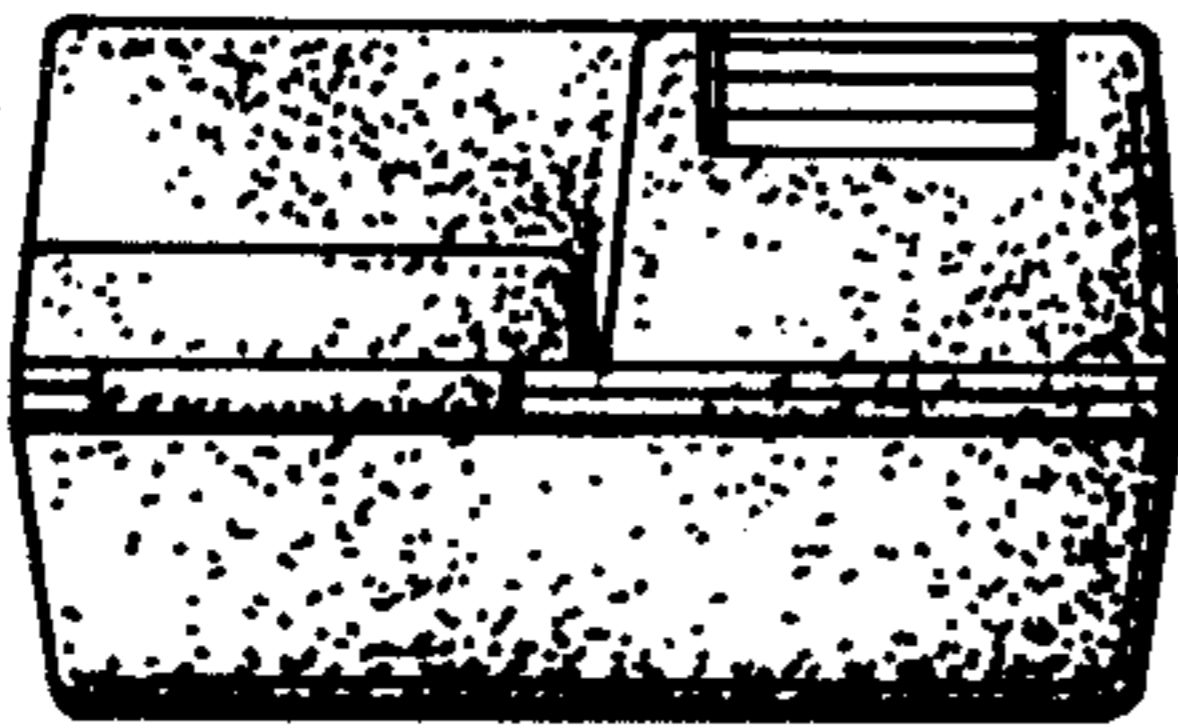


FIG. 6

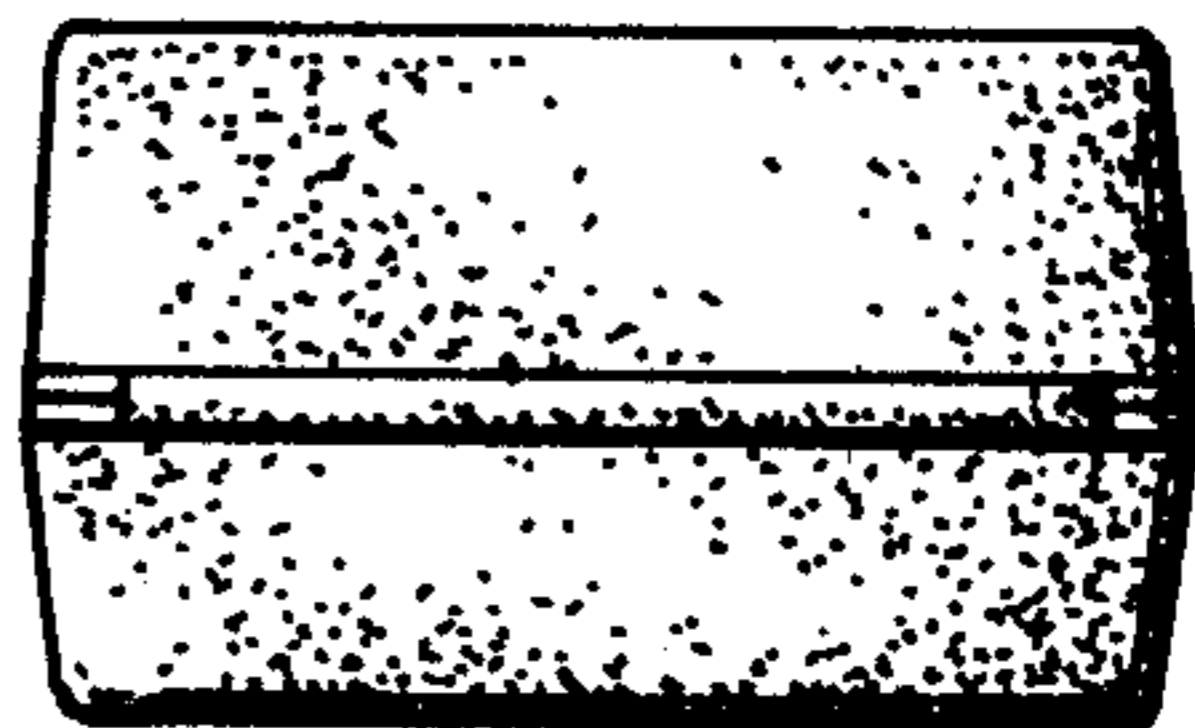


FIG. 7

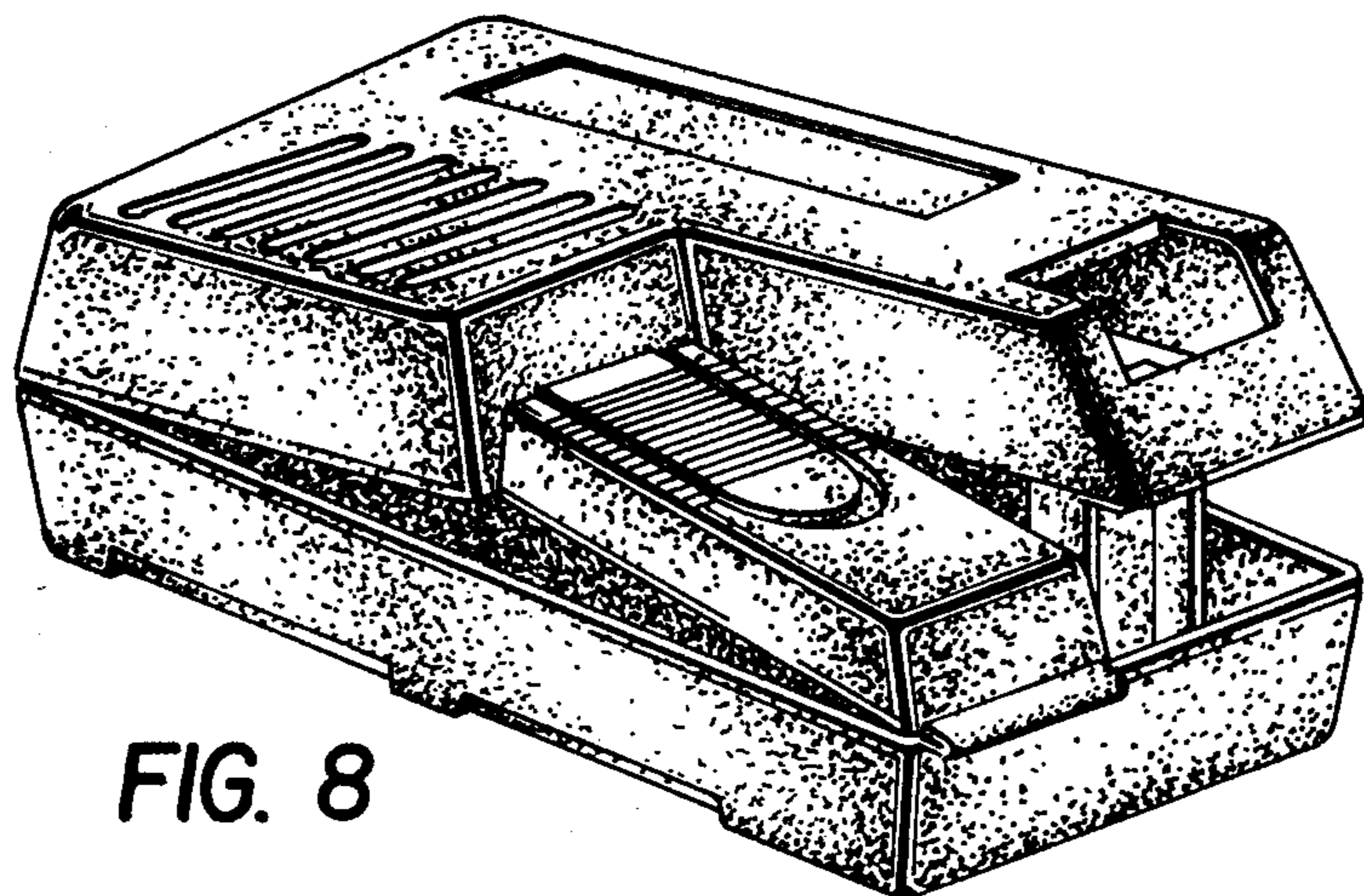


FIG. 8