

[54] DIAL GAGE

[75] Inventors: Shingo Nishina, Kanagawa; Hiroshi Koizumi, Kanagawa; Yoshio Sanoki, Kanagawa; Yoshikazu Kikuchi, Tochigi, all of Japan

[73] Assignee: Mitutoyo Mfg. Co., Ltd., Tokyo, Japan

[\*\*] Term: 14 Years

[21] Appl. No.: 380,821

[22] Filed: May 21, 1982

[30] Foreign Application Priority Data

Nov. 24, 1981 [JP] Japan ..... 56-52080

[52] U.S. Cl. .... D10/73

[58] Field of Search ..... D10/73; 33/172 R, 172 E, 33/147 R; 116/284-285, 305, 309

[56] References Cited

U.S. PATENT DOCUMENTS

- D. 223,725 5/1972 Takagi ..... D10/73
- D. 254,425 3/1980 Nishina ..... D10/73
- D. 261,370 10/1981 Kikuchi ..... D10/73
- 2,568,524 9/1951 Verderber ..... 33/172 R X

- 2,726,626 12/1955 Zelnick ..... 116/285
- 2,832,151 4/1958 Emery ..... 33/147 R X
- 3,318,007 5/1967 Goetz ..... 33/172 R
- 3,337,963 8/1967 Tseitlin ..... 33/147 R X
- 3,721,010 3/1973 Ristow ..... 33/172 R
- 3,768,169 10/1973 Ito ..... 33/172 E

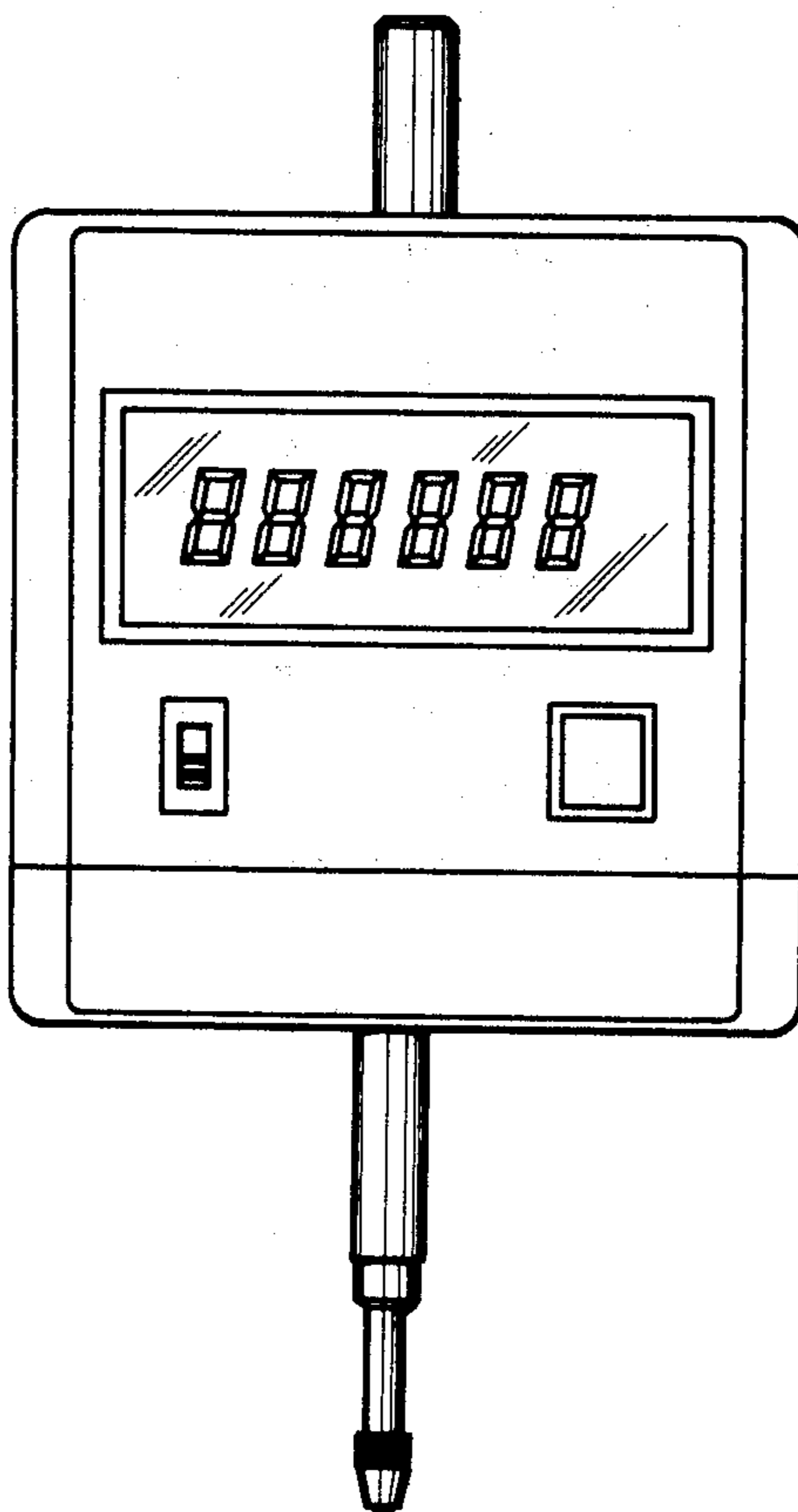
Primary Examiner—Nelson C. Holtje  
Attorney, Agent, or Firm—Koda and Androlia

[57] CLAIM

The ornamental design for a dial gage, substantially as shown and described.

DESCRIPTION

FIG. 1 is a front elevational view of a dial gage showing our new design;  
 FIG. 2 is a rear elevational view thereof;  
 FIG. 3 is a left-side elevational view thereof;  
 FIG. 4 is a right-side elevational view thereof;  
 FIG. 5 is a top plan view thereof;  
 FIG. 6 is a bottom plan view thereof;  
 FIG. 7 is a front elevational view of another embodiment of our new design of FIGS. 1-6; wherein the bar element has been rotated 90°; and  
 FIG. 8 is a front and top-left perspective view of FIG. 1.



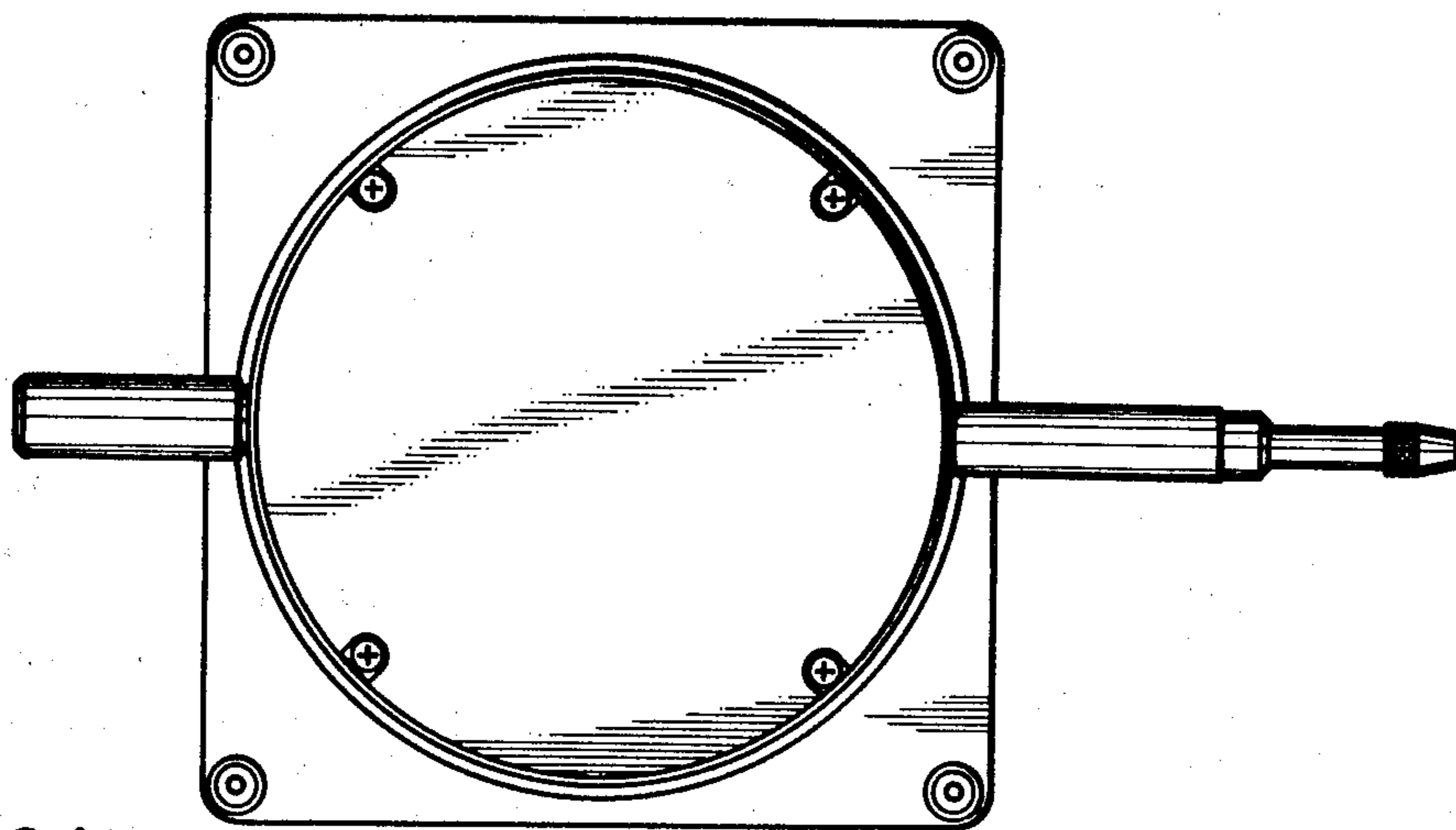


FIG. 2

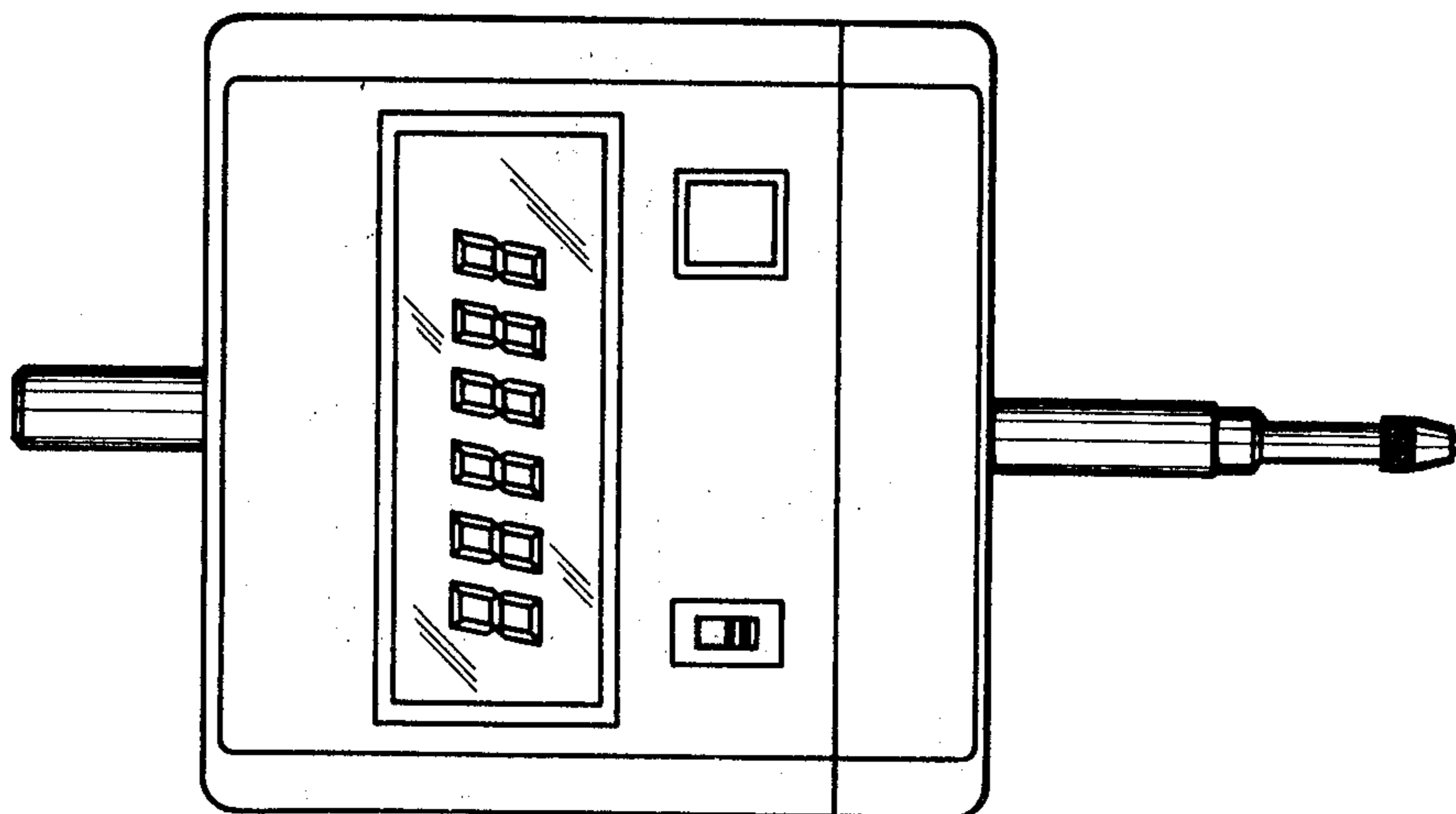


FIG. 1

FIG.3

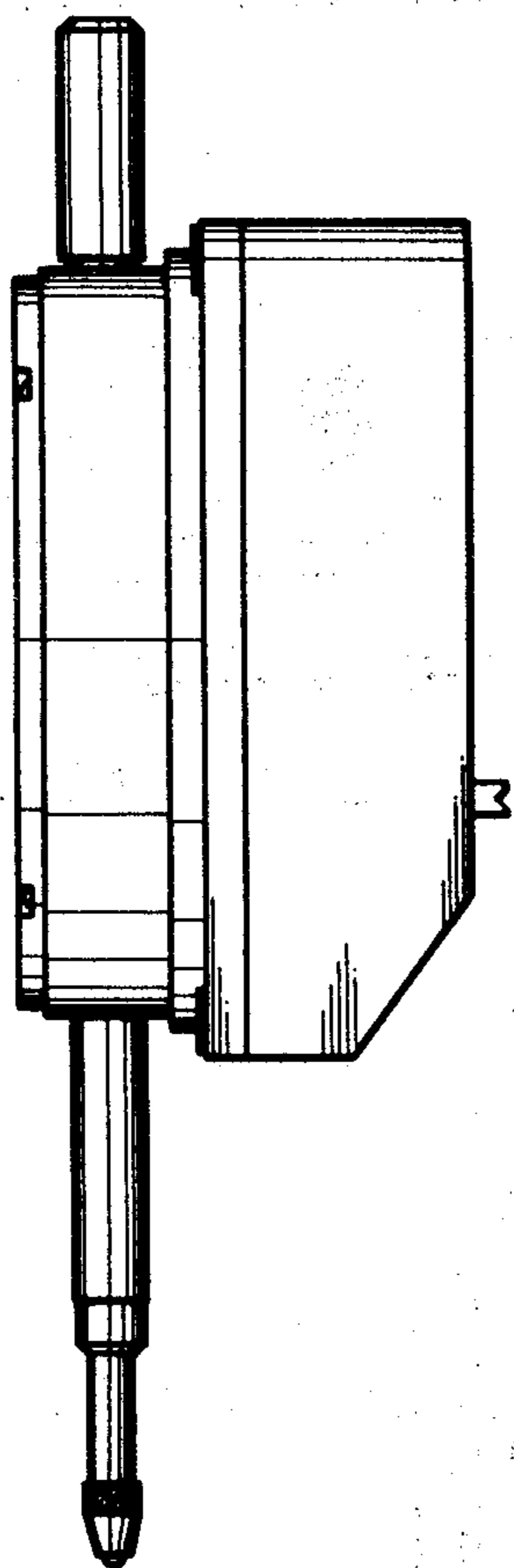


FIG.4

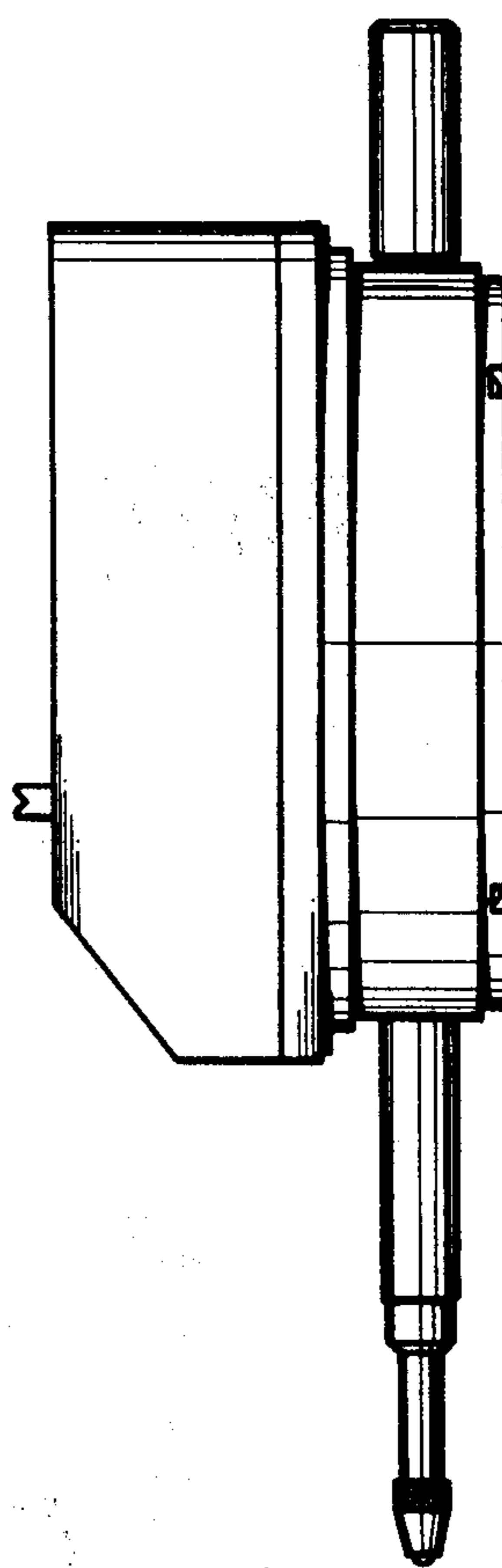


FIG. 5

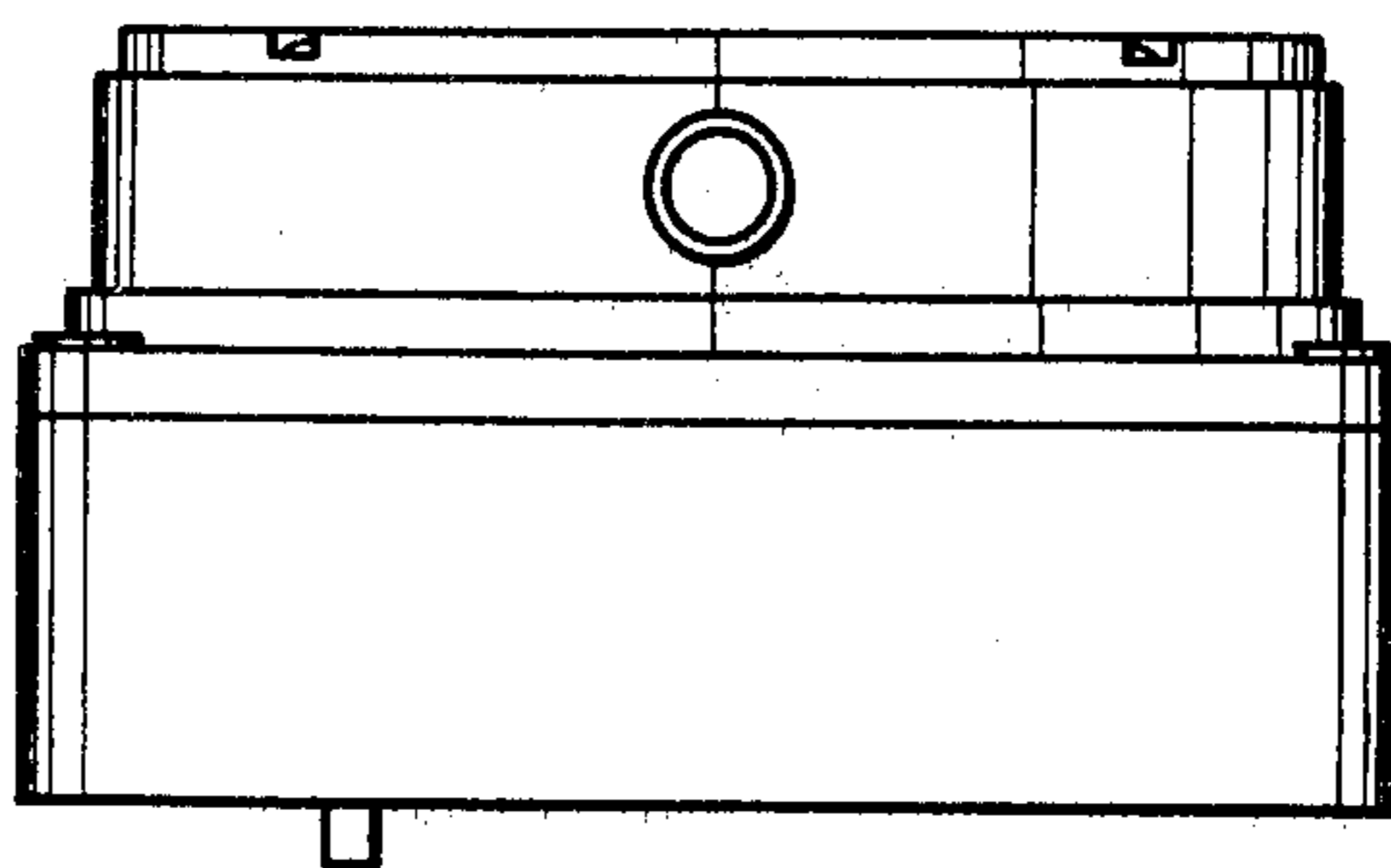


FIG. 6

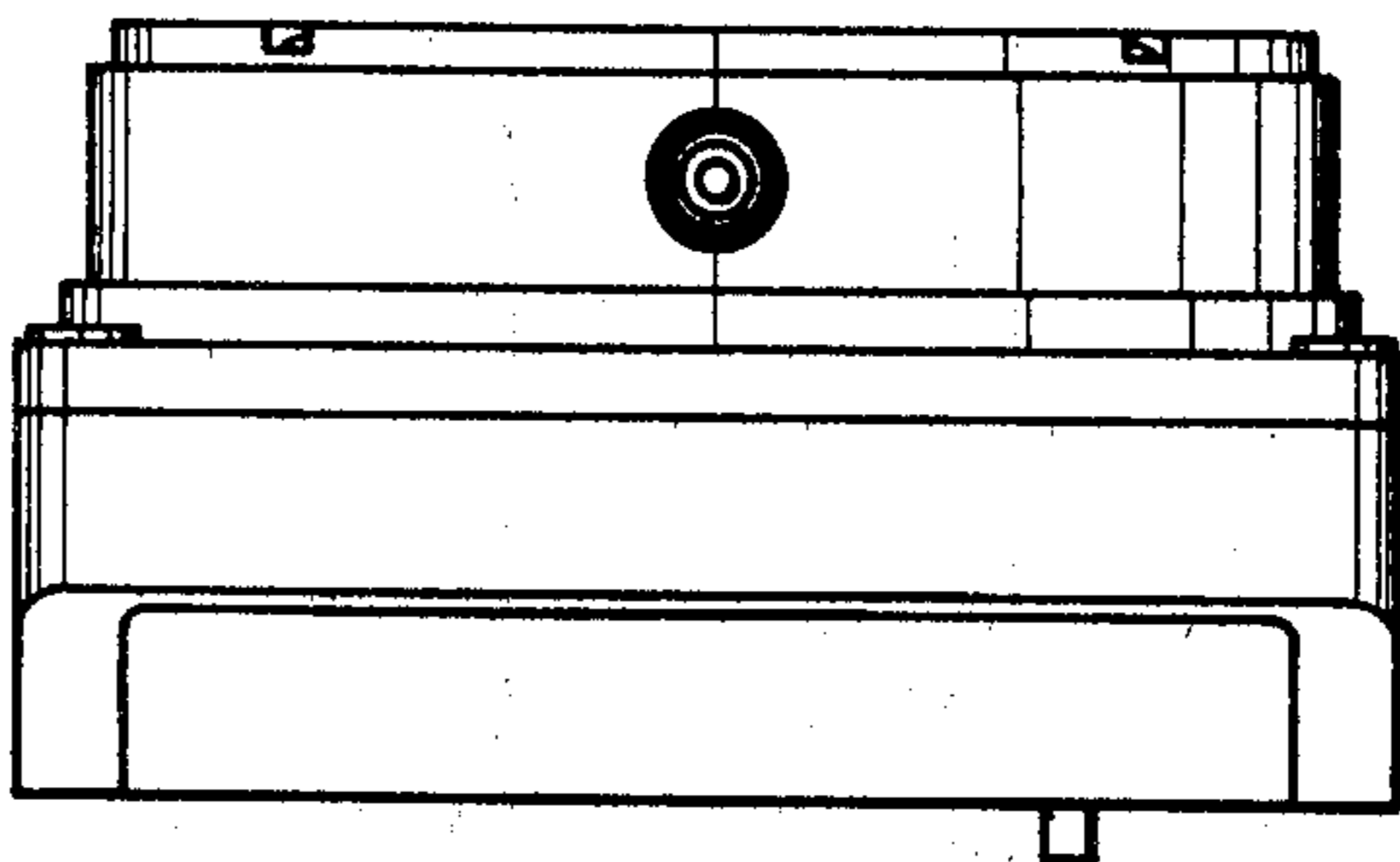


FIG. 7

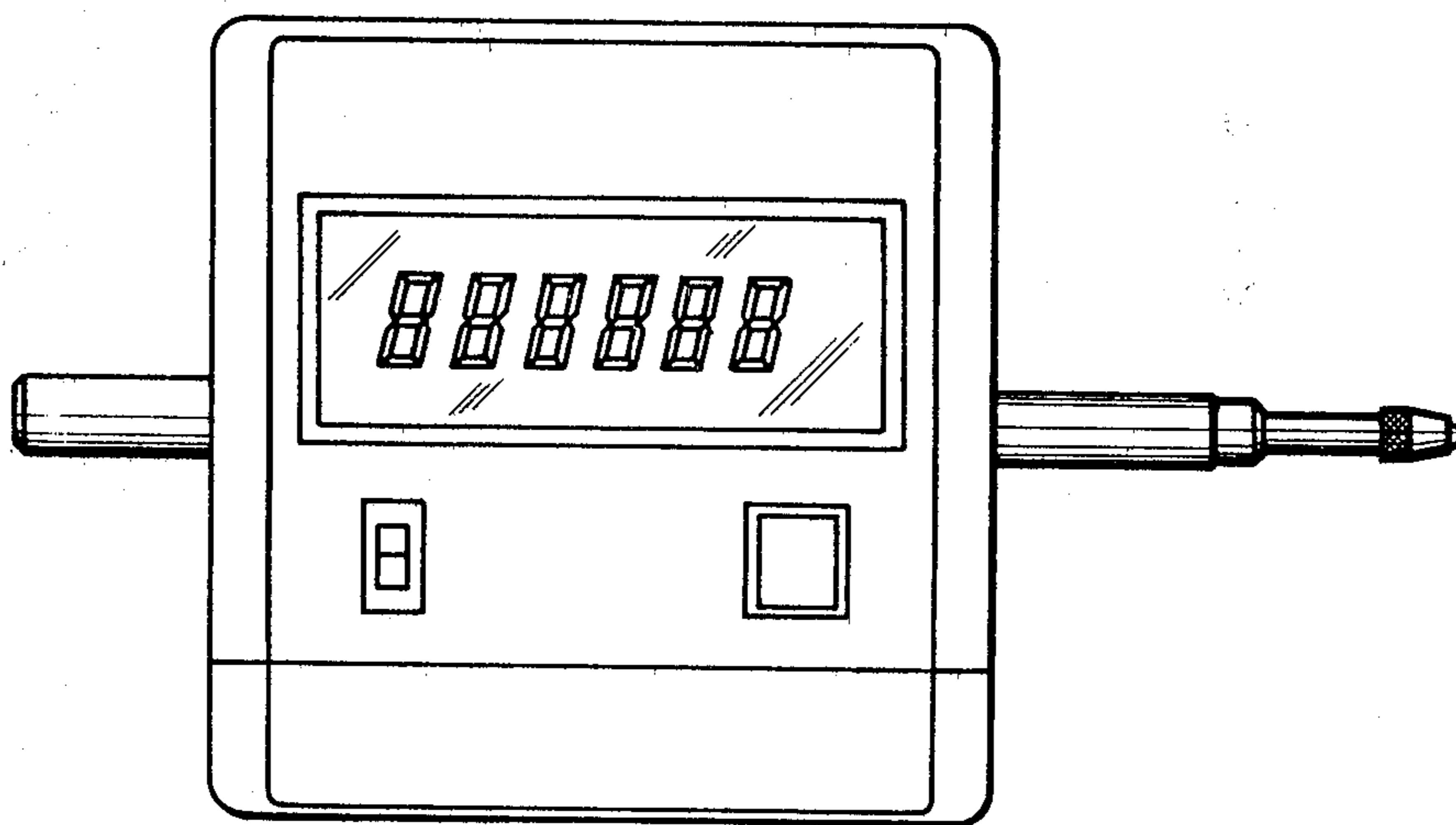


FIG.8

