

[54] METAL DETECTOR

[75] Inventors: Charles L. Garrett, Garland; Robert J. Podhrasky, Dallas, both of Tex.

[73] Assignee: Garrett Electronics, Garland, Tex.

[**] Term: 14 Years

[21] Appl. No.: 343,715

[22] Filed: Jan. 28, 1982

[52] U.S. Cl. D10/47

[58] Field of Search D10/46, 47; 324/329

[56] References Cited

U.S. PATENT DOCUMENTS

2,066,561	1/1937	Fisher	324/329
2,160,356	5/1939	Fore	324/329
3,492,564	1/1970	Baker	324/329

FOREIGN PATENT DOCUMENTS

2927842	11/1980	Fed. Rep. of Germany	324/329
---------	---------	----------------------------	---------

Primary Examiner—Nelson C. Holtje

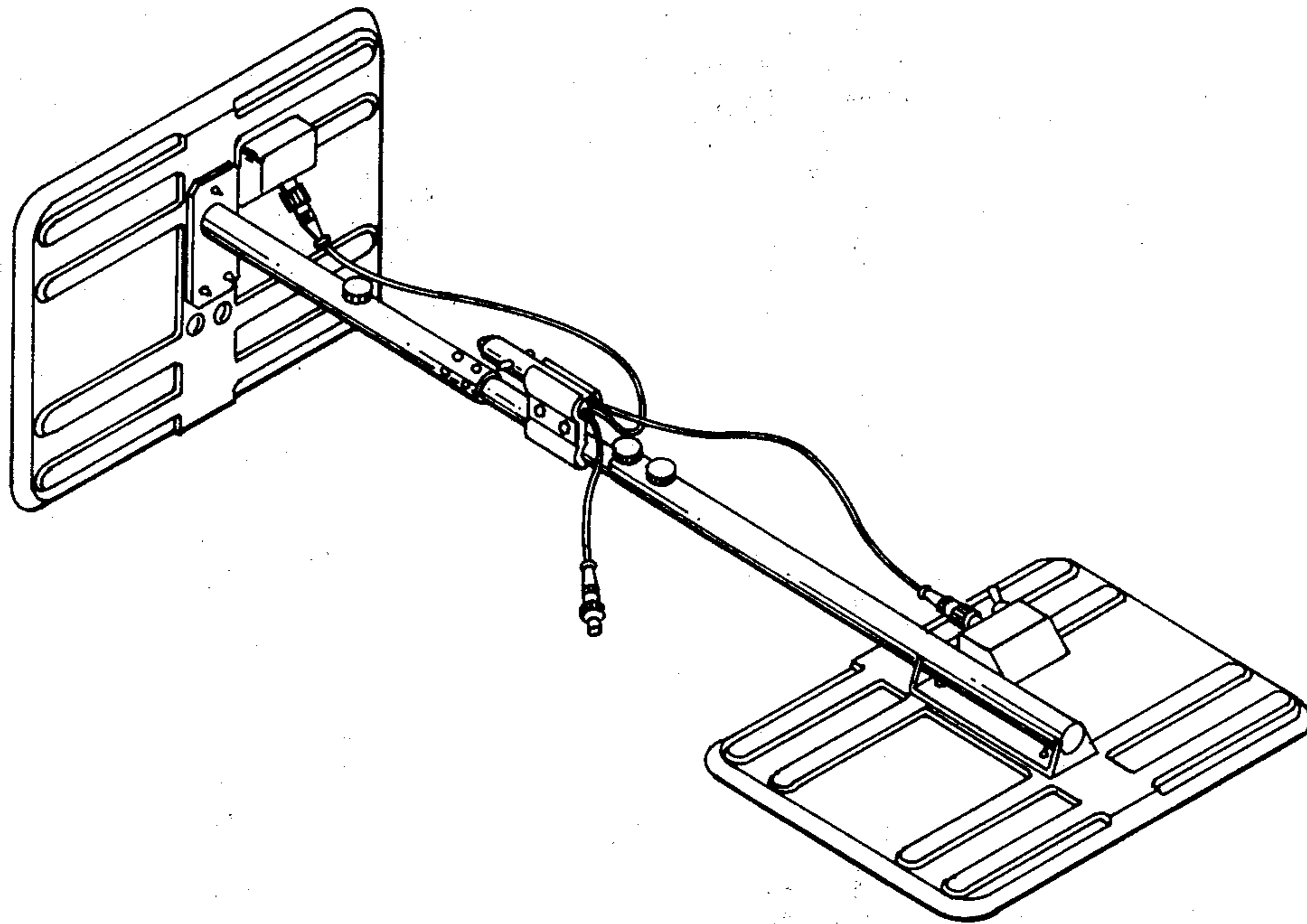
Attorney, Agent, or Firm—Richards, Harris & Medlock

[57] CLAIM

The ornamental design for a metal detector, as shown and described.

DESCRIPTION

FIG. 1 is a top perspective view of a metal detector showing our new design;
 FIG. 2 is a bottom plan view thereof;
 FIG. 3 is a top plan view thereof;
 FIG. 4 is a left side elevational view thereof;
 FIG. 5 is a right side elevational view thereof;
 FIG. 6 is a front elevational view thereof;
 FIG. 7 is a rear elevational view thereof;
 FIG. 8 is an enlarged top plan view of a panel with the support arm and brackets and other parts omitted for ease of illustration;
 FIG. 9 is a bottom plan view of FIG. 8;
 FIG. 10 is a left side elevational view of FIG. 8;
 FIG. 11 is a right side elevational view of FIG. 8;
 FIG. 12 is a front elevational view of FIG. 8;
 FIG. 13 is a rear elevational view of FIG. 8.
 The other panel of our design is the same as the one illustrated.



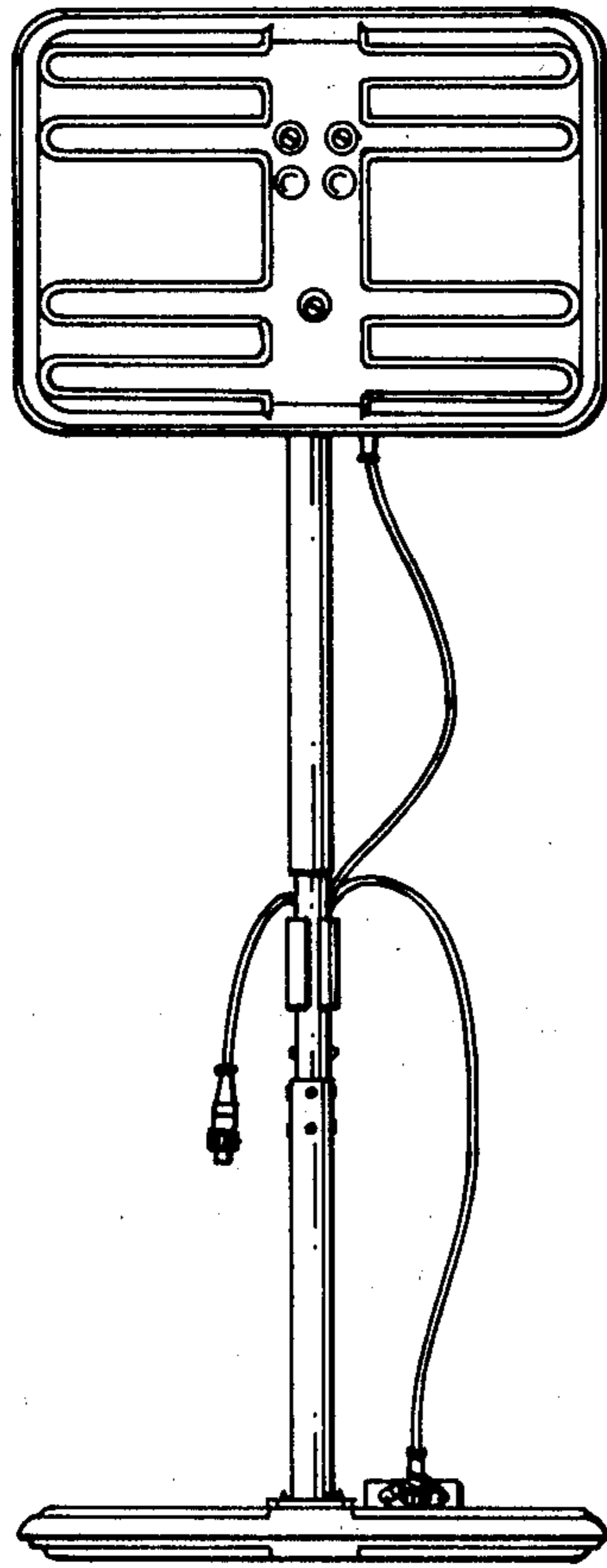
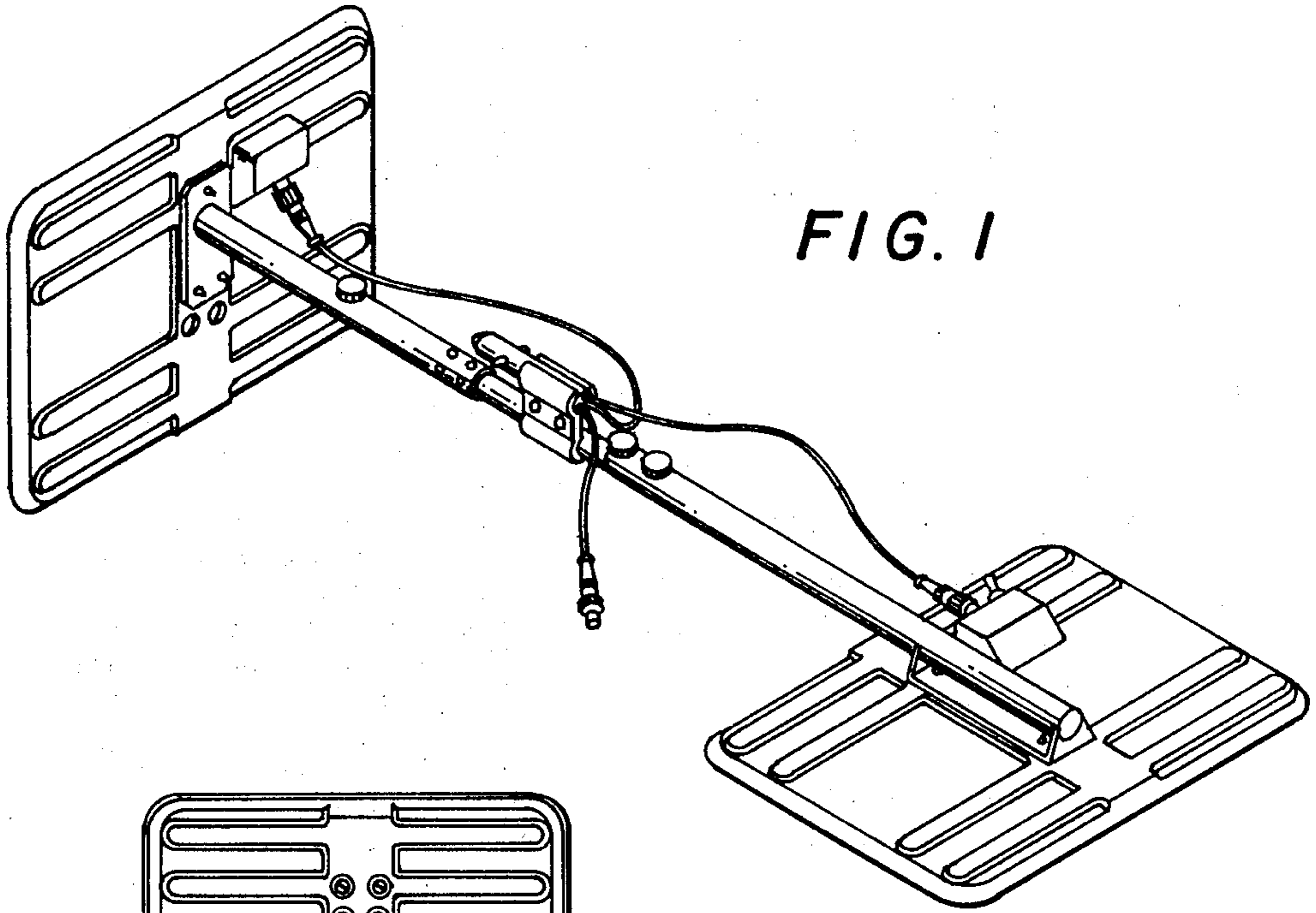


FIG. 2

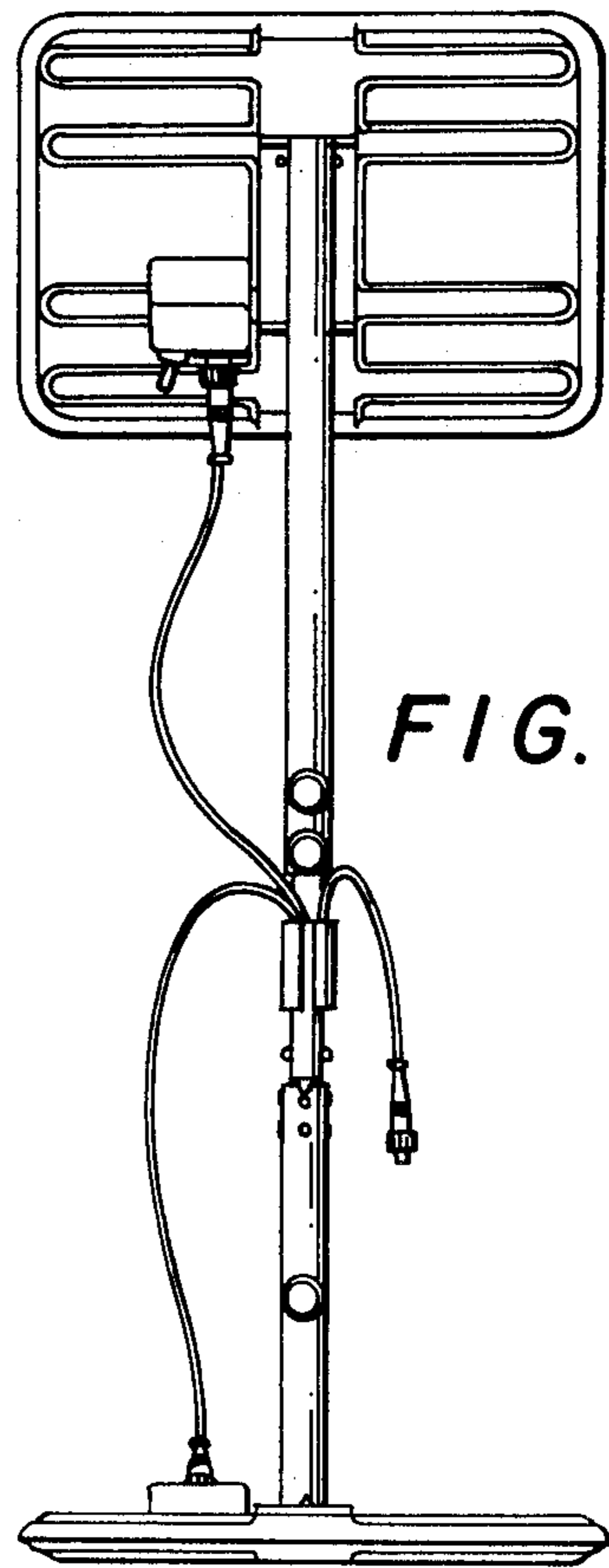


FIG. 3

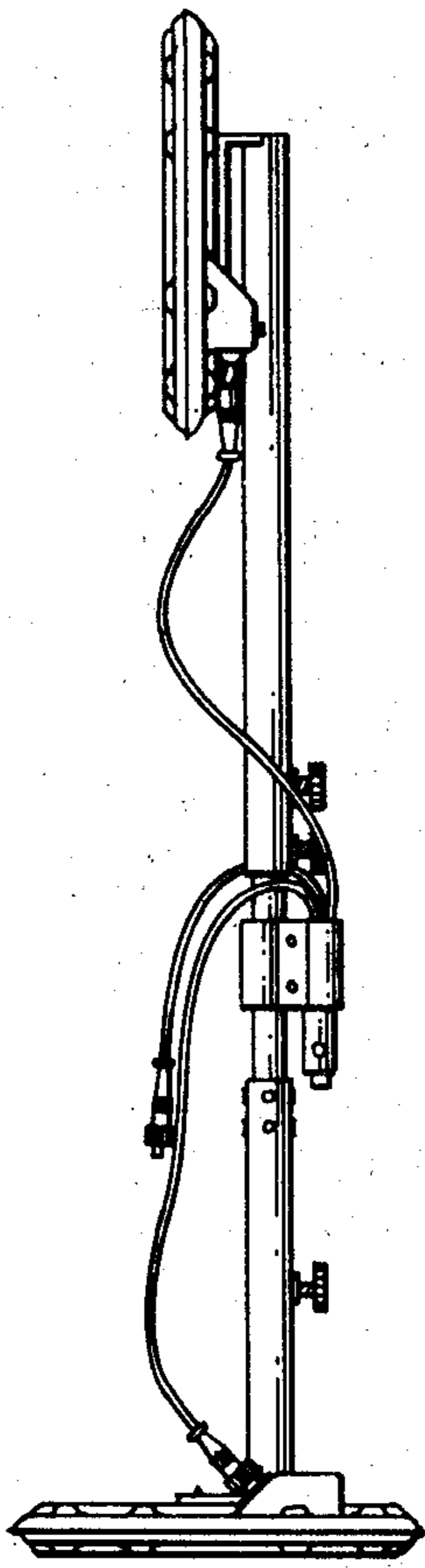


FIG. 4

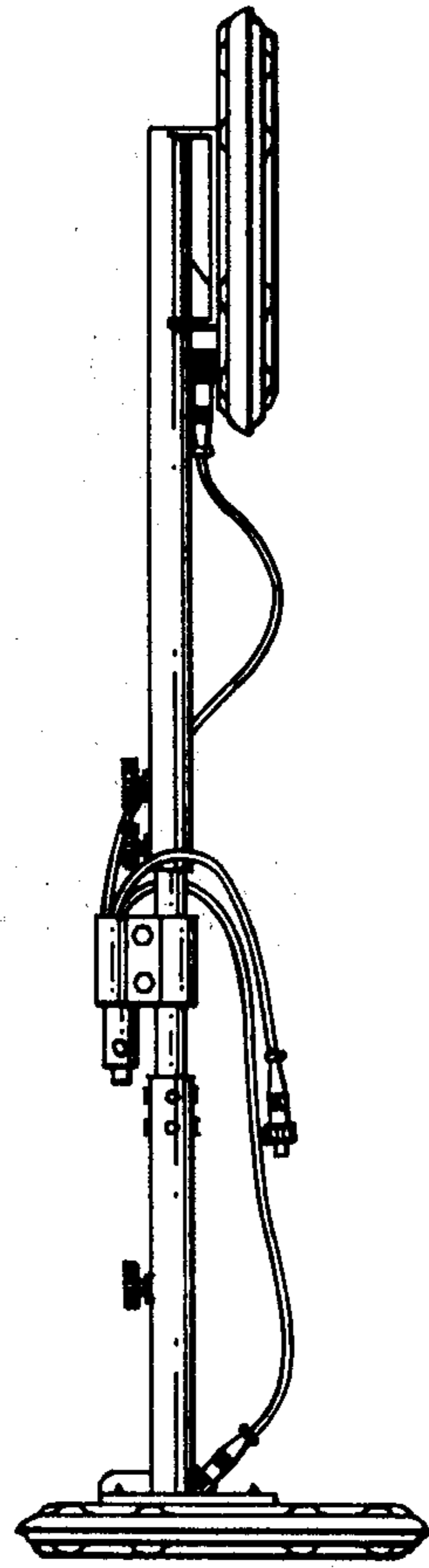


FIG. 5

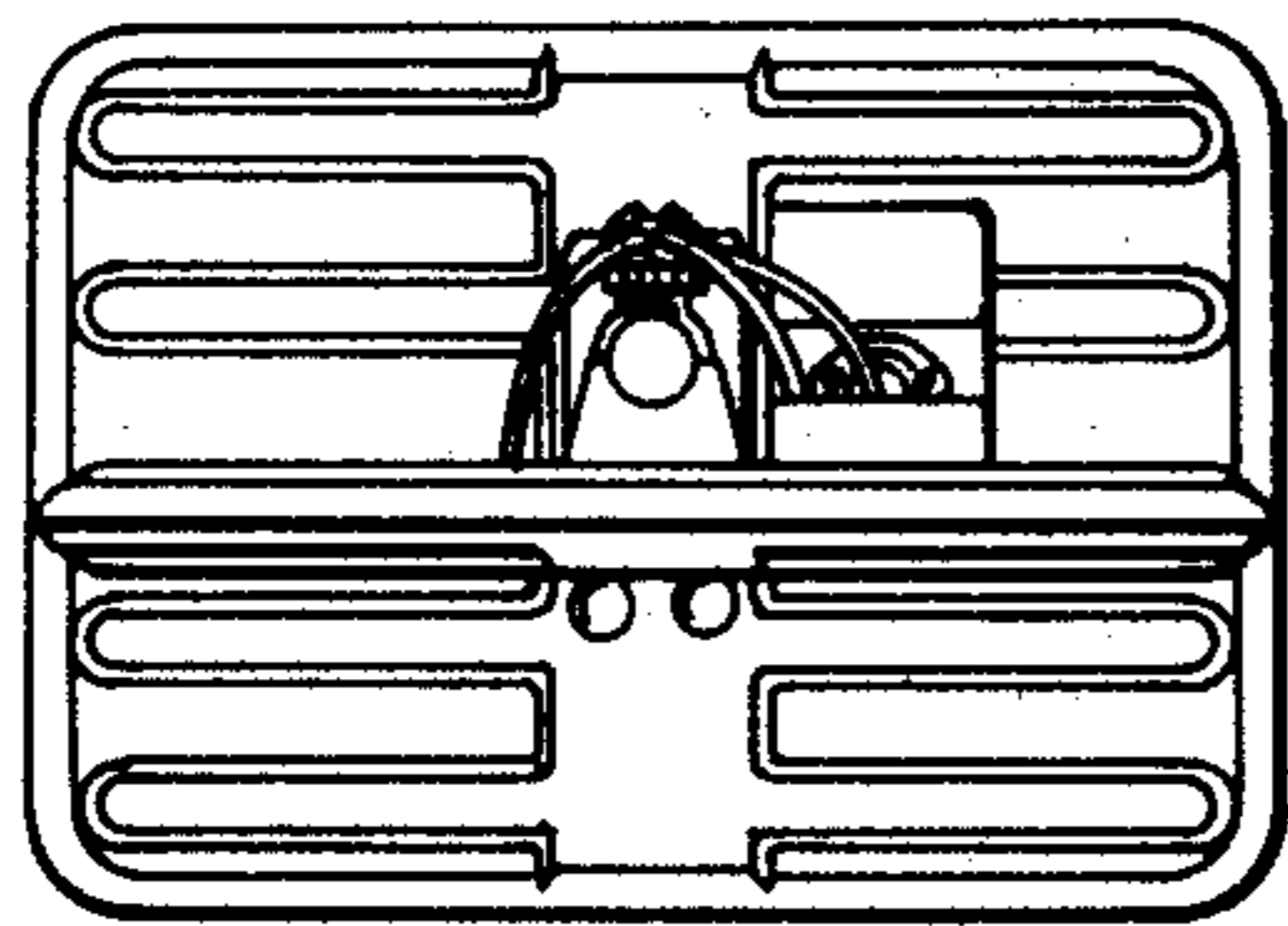


FIG. 6

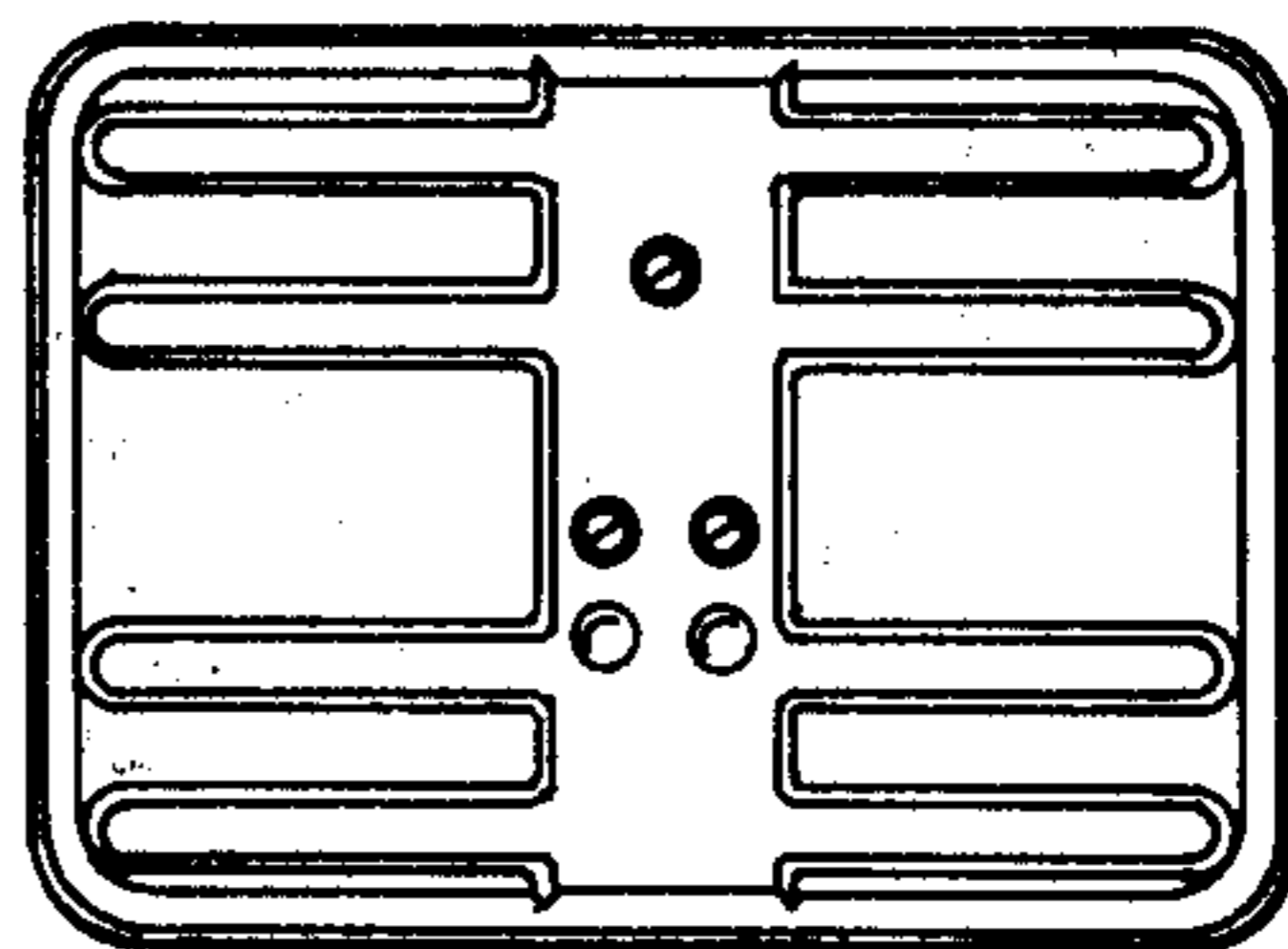


FIG. 7



FIG. 10

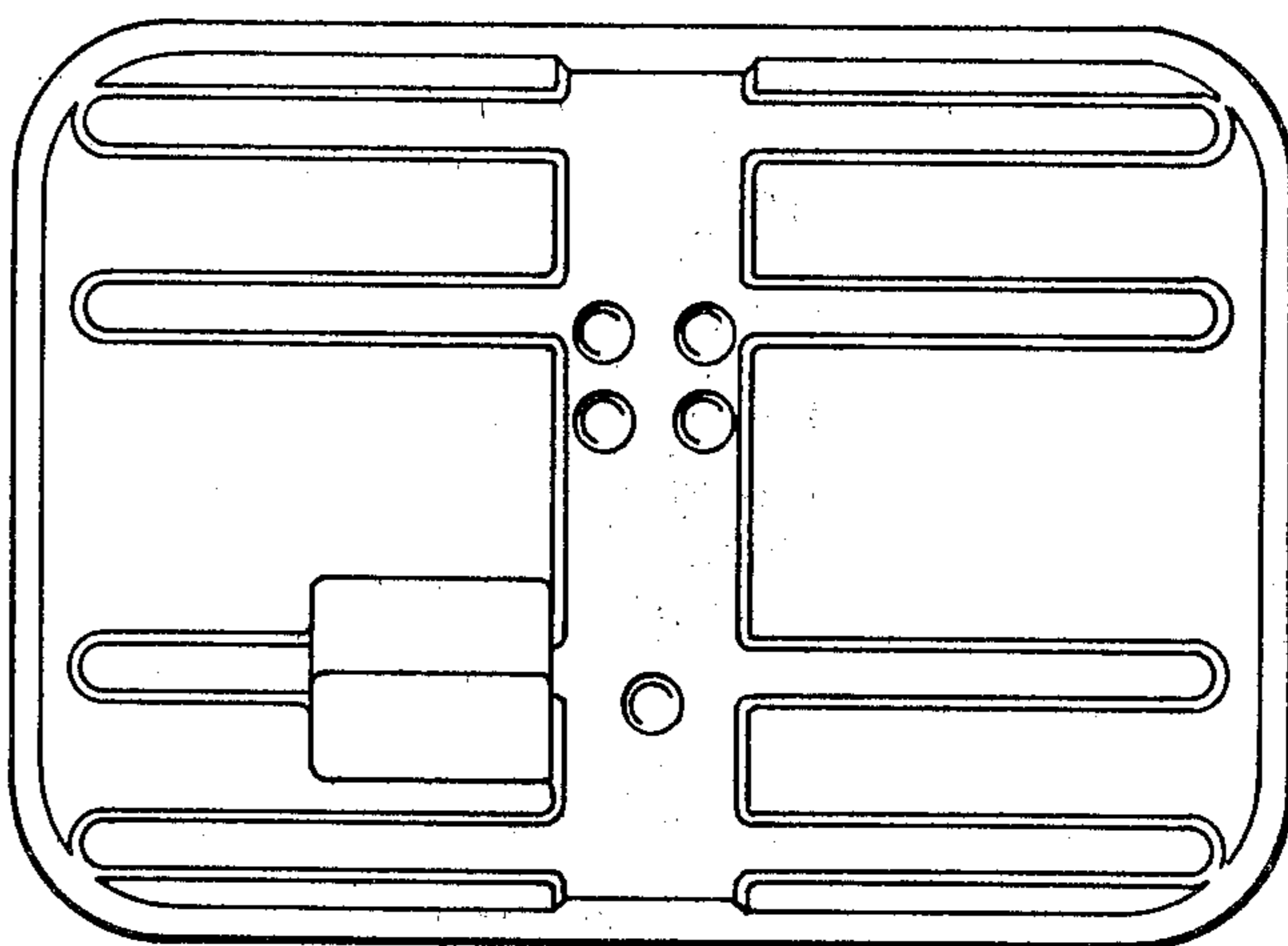


FIG. 8

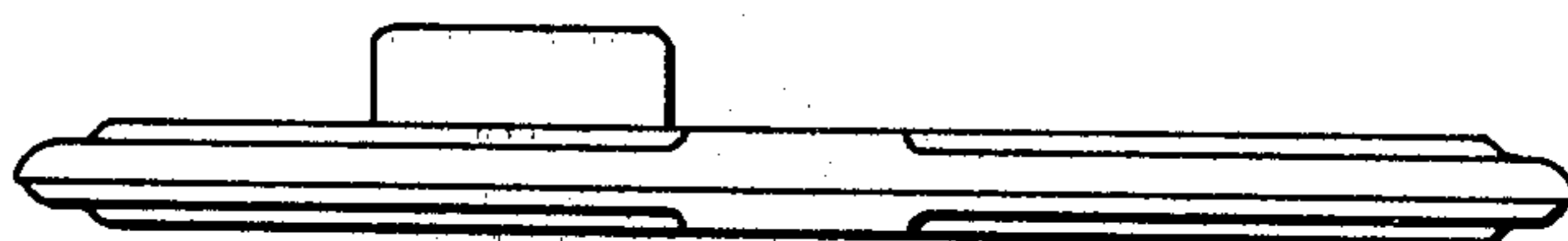


FIG. 12

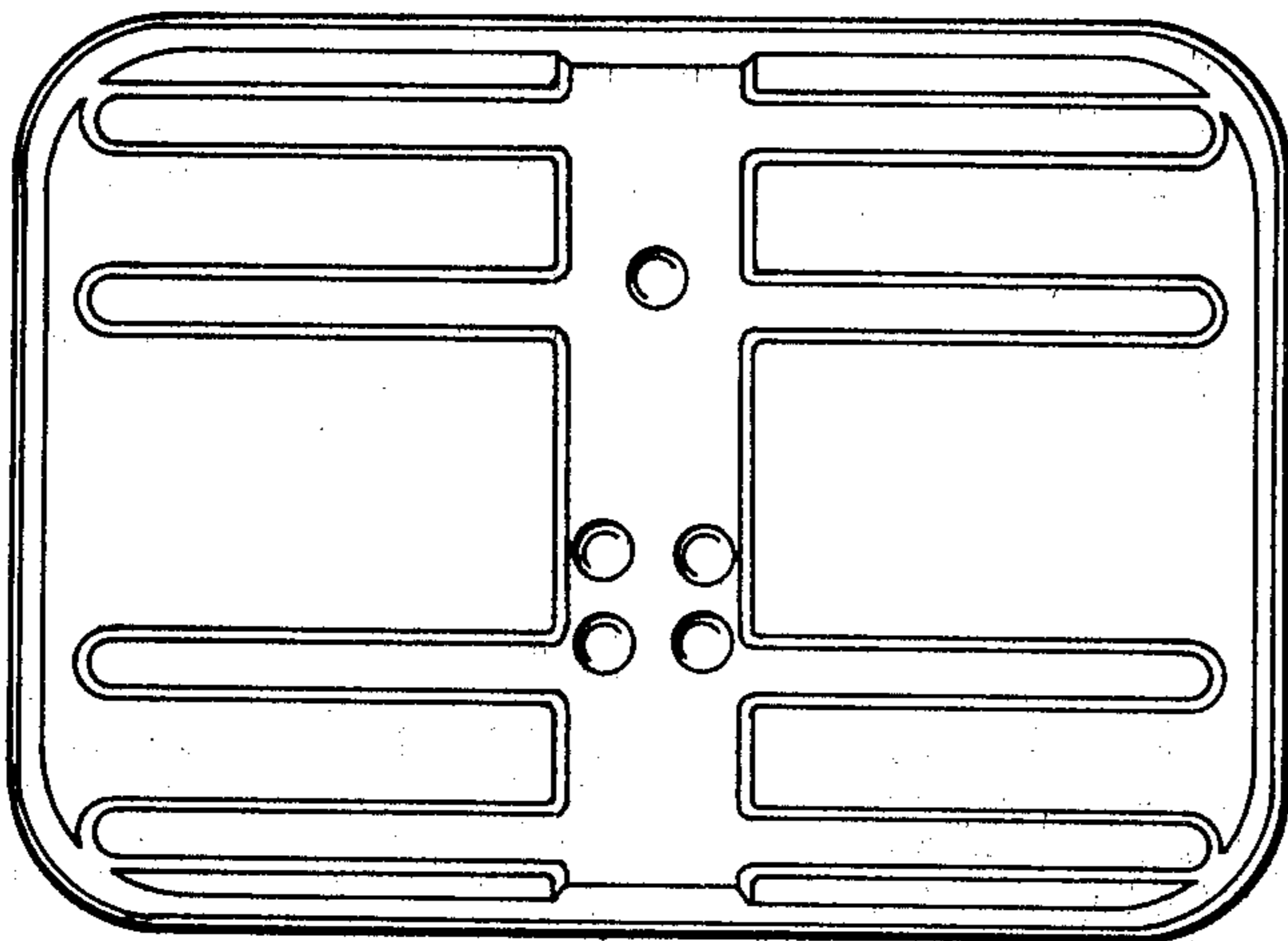


FIG. 9

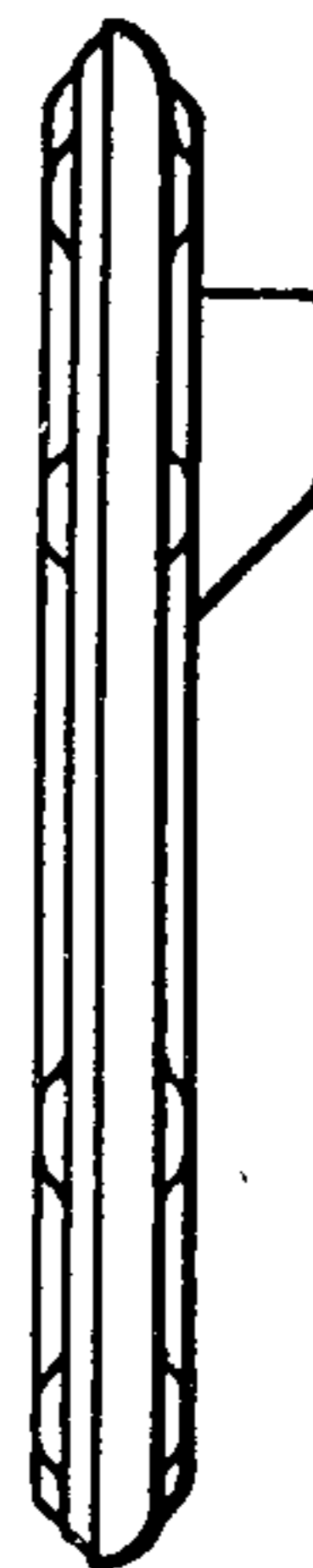


FIG. 11

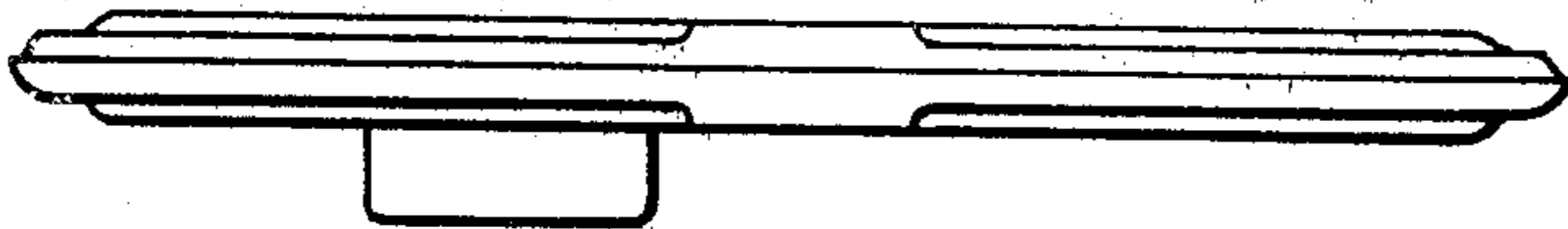


FIG. 13