

United States Patent [19]

Sun et al.

[11] Patent Number: **Des. 274,700**

[45] Date of Patent: **** Jul. 17, 1984**

[54] **COVER FOR A PACKAGING TRAY**

[75] Inventors: **Lilla S. Sun, Seal Beach; John C. Anderson, Burbank, both of Calif.**

[73] Assignee: **Beckman Instruments, Inc., Fullerton, Calif.**

[**] Term: **14 Years**

[21] Appl. No.: **330,975**

[22] Filed: **Dec. 15, 1981**

[52] U.S. Cl. **D9/435**

[58] Field of Search **D9/341, 342, 414, 415, D9/420, 424, 446, 444, 435, 436**

[56] **References Cited**

U.S. PATENT DOCUMENTS

D226,804 5/1973 Leathers D9/342
D. 244,583 6/1977 Barish D9/420
D. 257,226 10/1980 Kimball D9/415

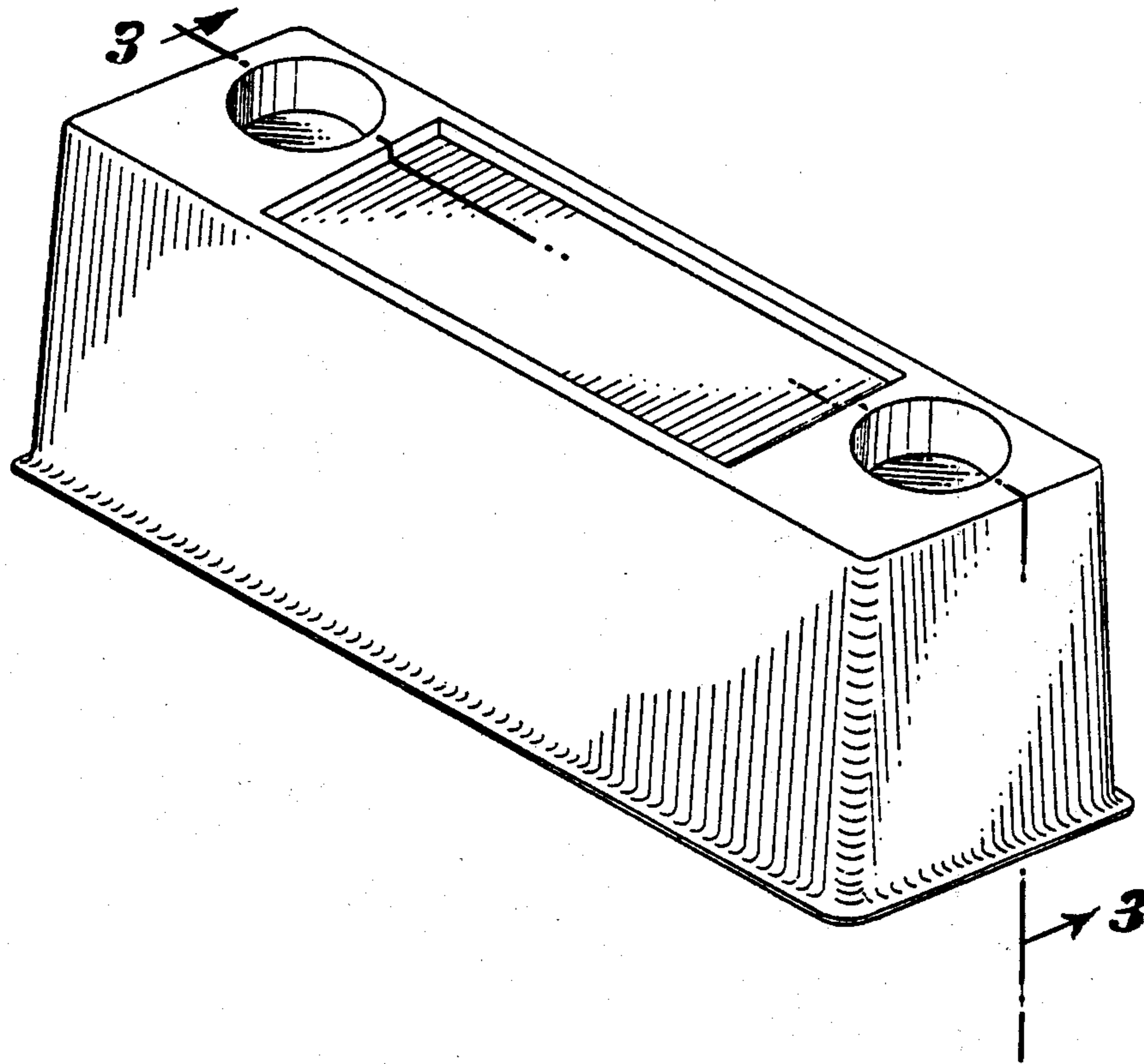
Primary Examiner—George P. Word
Attorney, Agent, or Firm—R. J. Steinmeyer; R. R. Meads; R. S. Frieman

[57] **CLAIM**

The ornamental design for a cover for a packaging tray, substantially as shown and described.

DESCRIPTION

FIG. 1 is a top front perspective view of a cover for a packaging tray showing our new design; FIG. 2 is a top rear perspective thereof; and FIG. 3 is a longitudinal cross-sectional view taken along line 3—3 of FIG. 1.



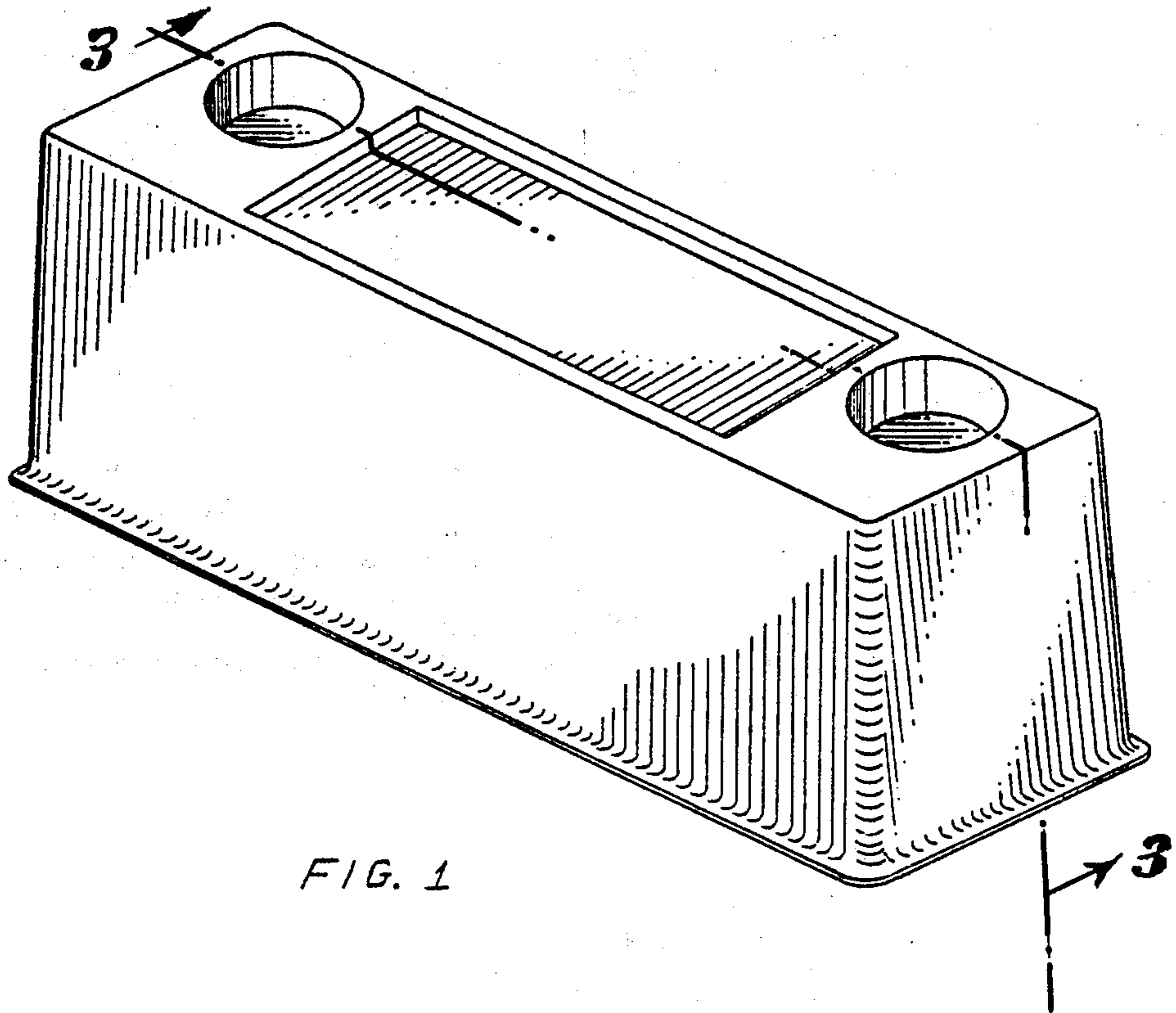


FIG. 1

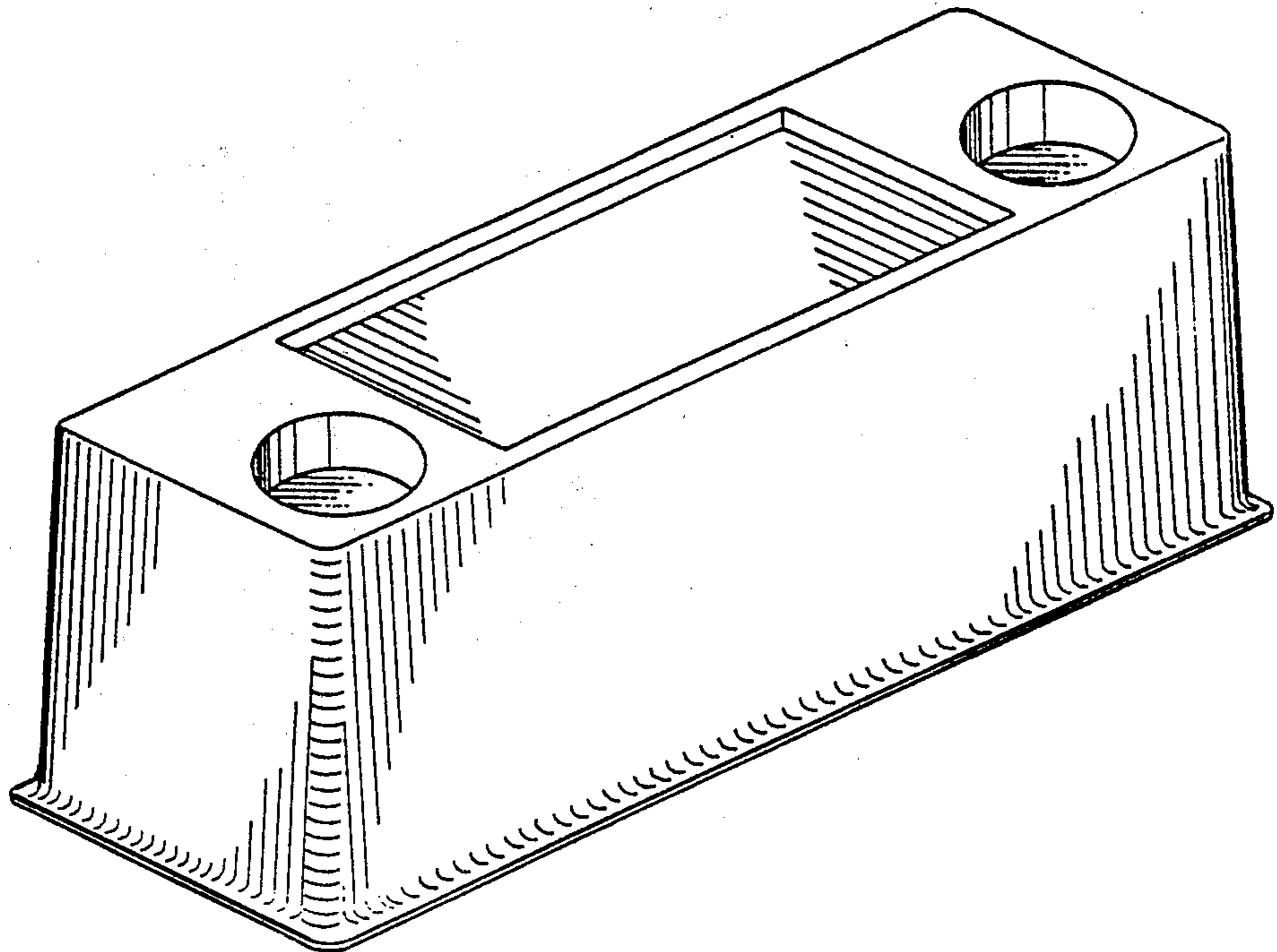


FIG. 2

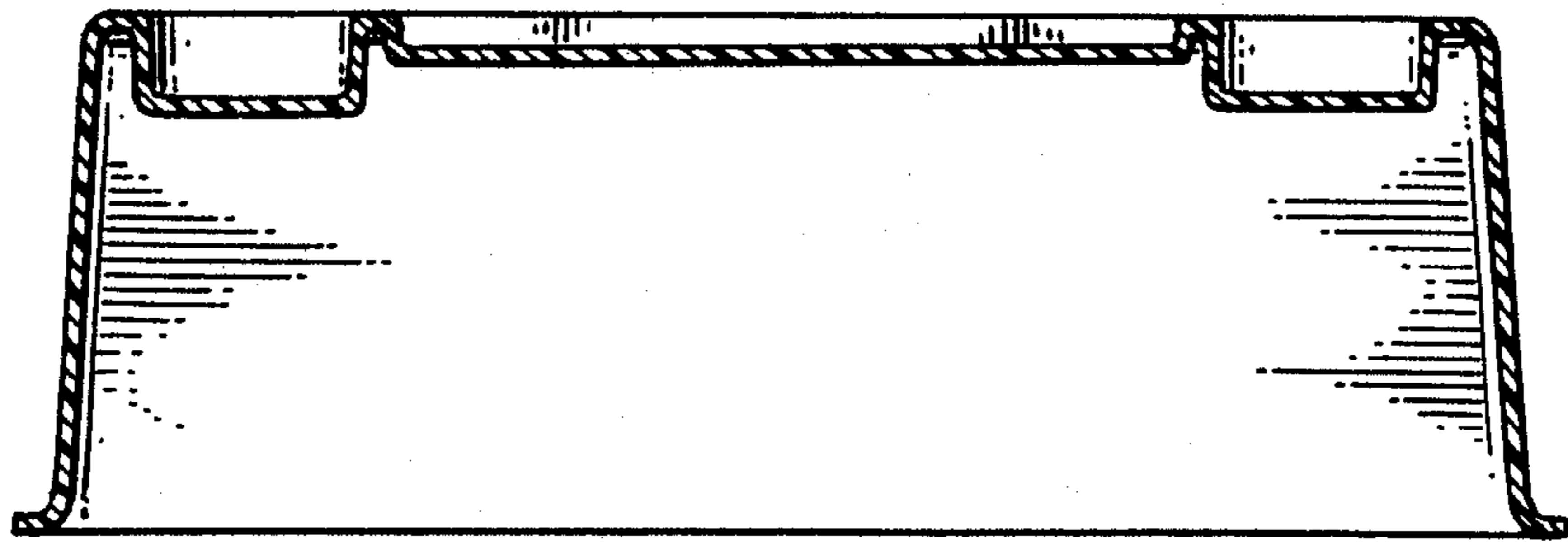


FIG. 3.