

United States Patent [19]
Wallace

[11] **Patent Number: Des. 274,691**

[45] **Date of Patent: ** Jul. 17, 1984**

[54] **SNAP-LOCK HOLDER**

[76] **Inventor: Robert S. Wallace, 823 S. Longwood Ave., Los Angeles, Calif. 90005**

[**] **Term: 14 Years**

[21] **Appl. No.: 447,452**

[22] **Filed: Dec. 6, 1982**

[52] **U.S. Cl. D8/336**

[58] **Field of Search D8/330, 331, 336, 354, D8/382, 395; 292/76, 19**

[56] **References Cited**

U.S. PATENT DOCUMENTS

D. 248,347	7/1978	McCollum	D8/395
D. 261,100	10/1981	Wallace	D8/336
D. 263,556	3/1982	Wallace	D8/331
D. 266,144	9/1982	Wallace	D8/382
D. 270,516	9/1983	Achille	D8/354
D. 270,572	9/1983	Black	D8/324
D. 270,573	9/1983	Black	D8/354

2,200,702	5/1940	Oddie	292/19
3,286,963	11/1966	Bergmon	D8/354
3,315,999	4/1967	Hohn et al.	292/19
3,612,590	10/1971	Andreini	292/76
3,806,170	4/1974	Seckerson et al.	292/19

FOREIGN PATENT DOCUMENTS

1123911	8/1968	United Kingdom	292/76
---------	--------	----------------	-------	--------

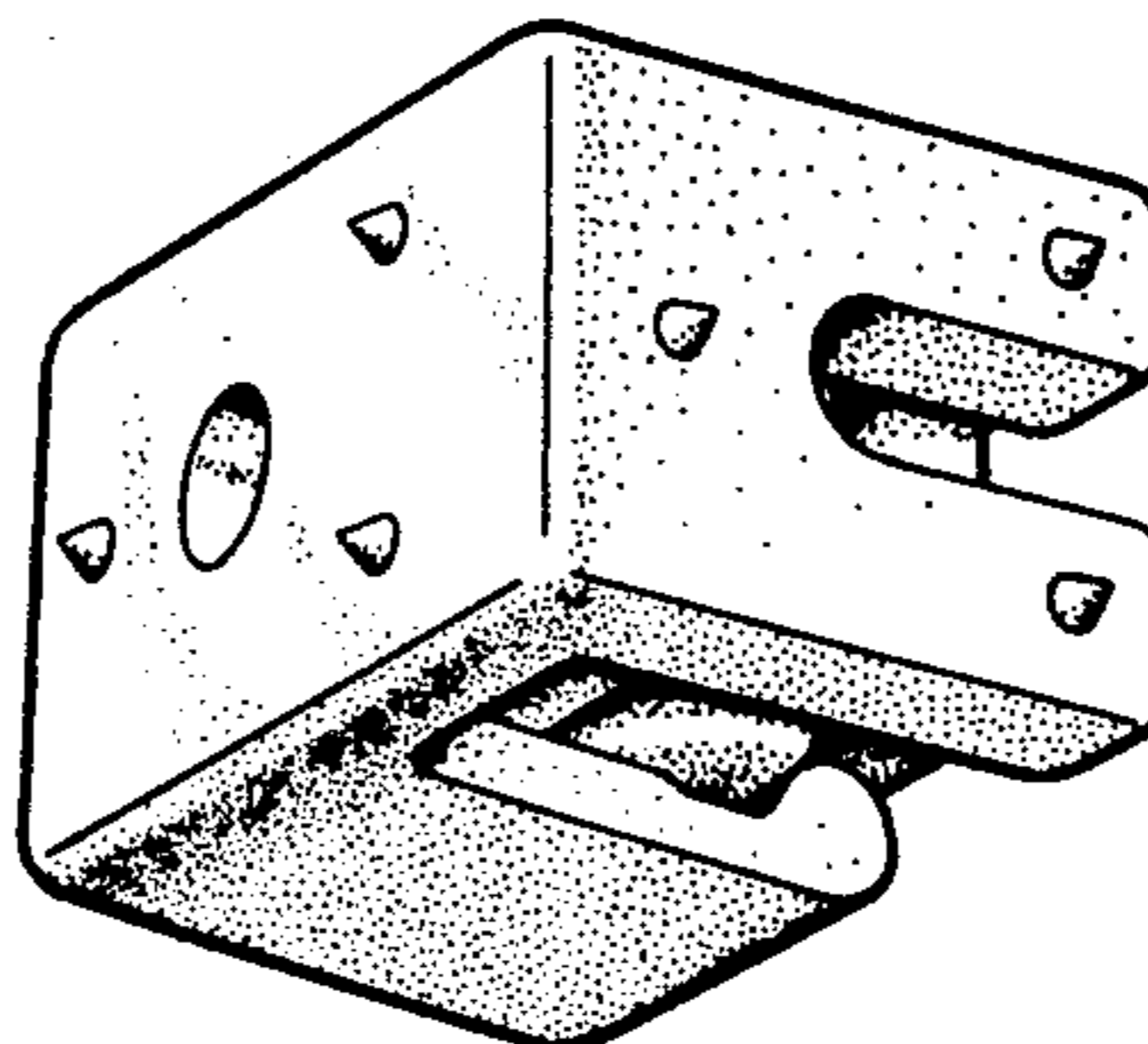
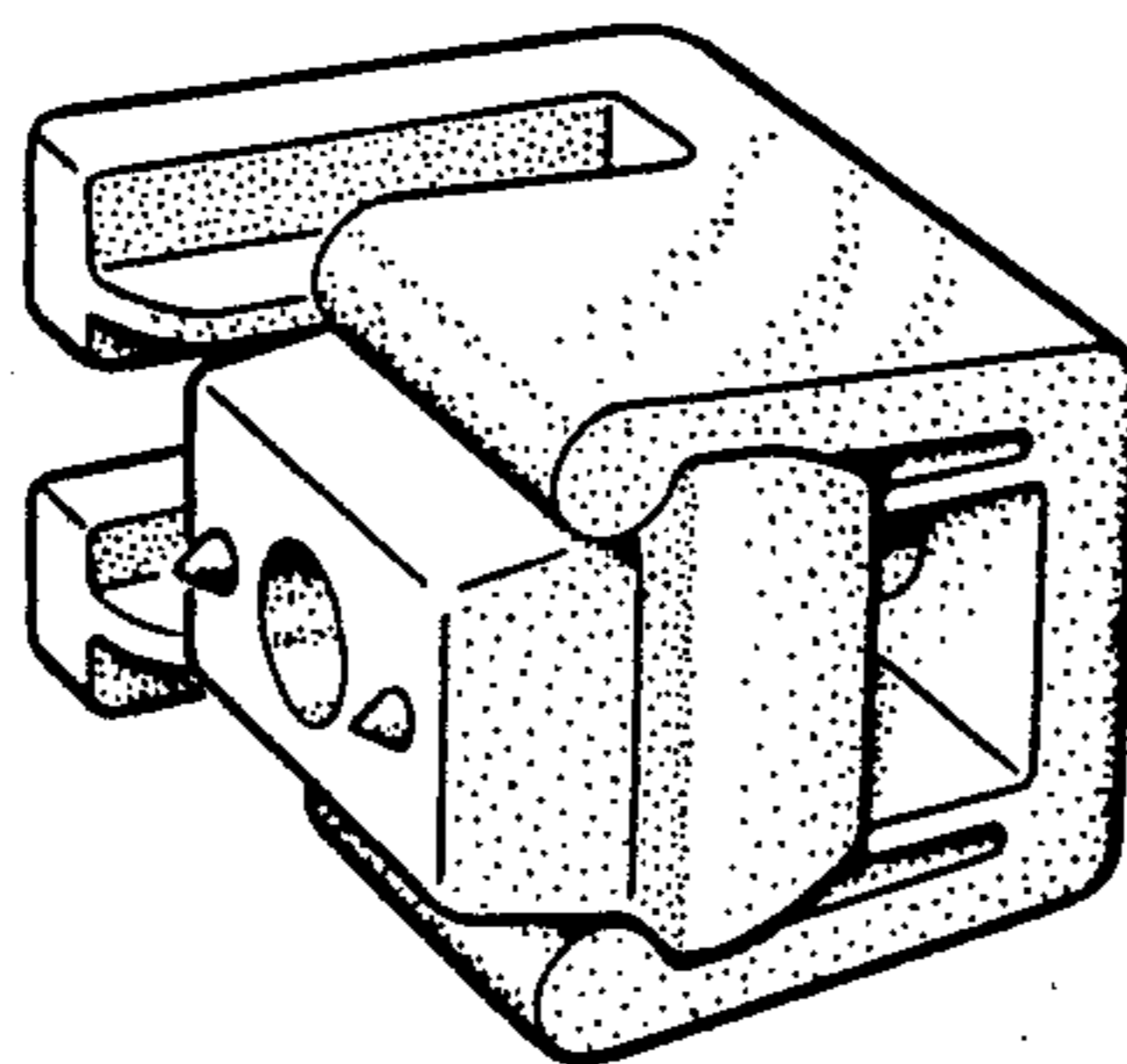
Primary Examiner—James M. Gandy
Assistant Examiner—Horace B. Fay
Attorney, Agent, or Firm—William W. Haefliger

[57] **CLAIM**

The ornamental design for a snap-lock holder, substantially as shown and described.

DESCRIPTION

FIG. 1 is a perspective view showing the front, right side and top of a snap-lock holder showing my new design; and
 FIG. 2 is a perspective view thereof showing the rear, left side and bottom.



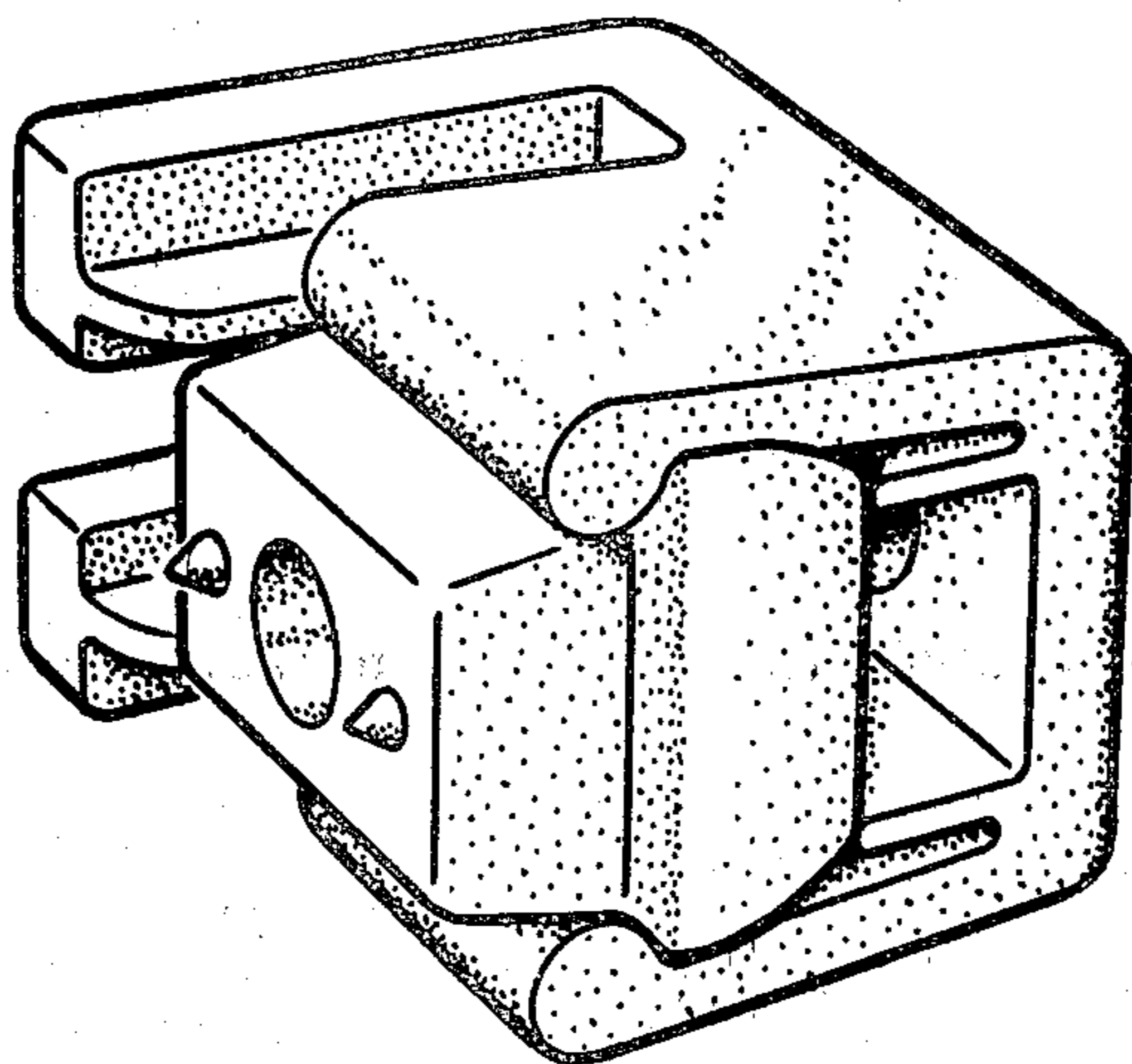


FIG.-1

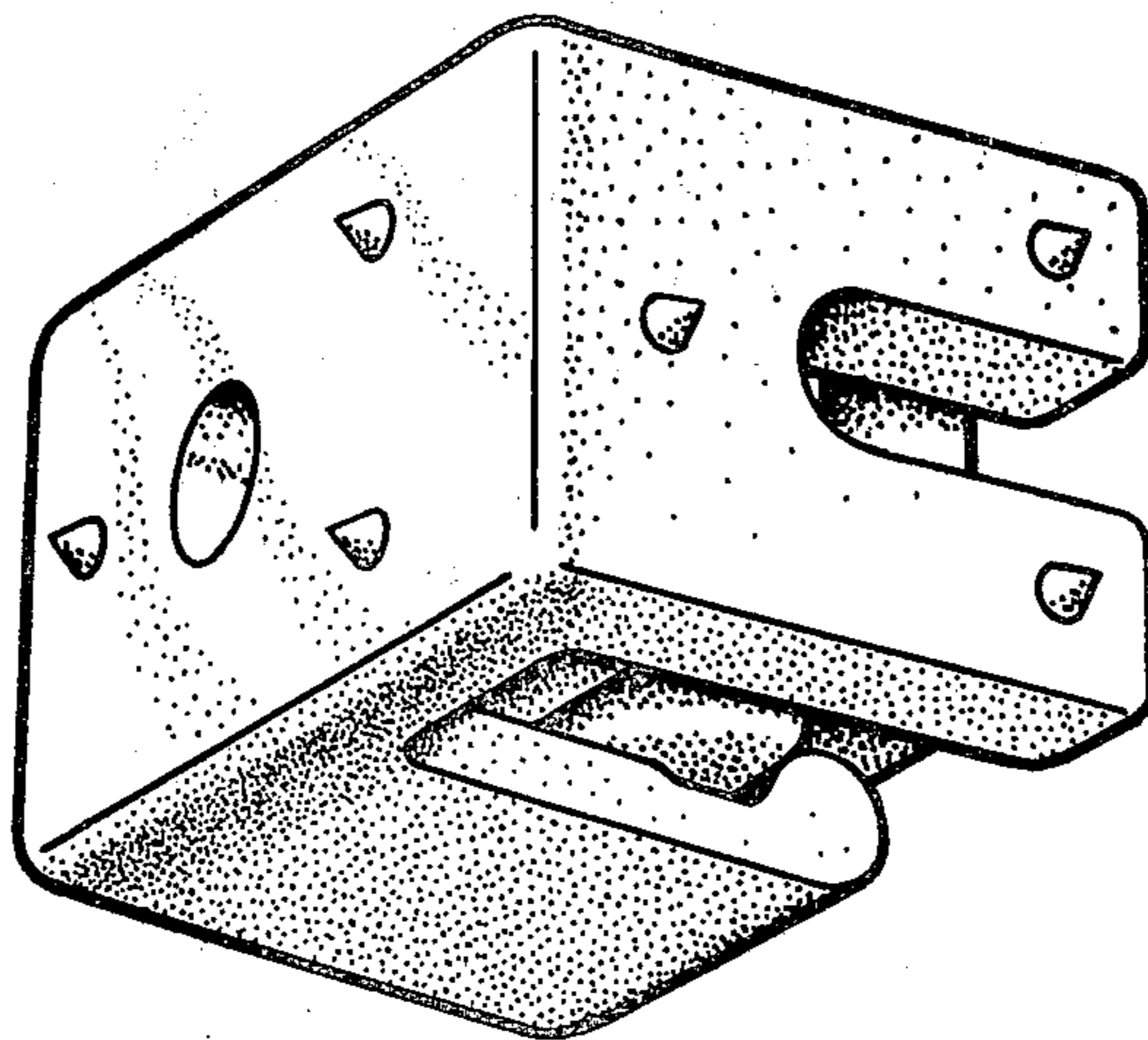


FIG.-2