

- [54] **KNOB**
- [75] **Inventor: William C. Cesaroni, Glenview, Ill.**
- [73] **Assignee: Dart Industries Inc., Northbrook, Ill.**
- [**] **Term: 14 Years**
- [21] **Appl. No.: 441,875**
- [22] **Filed: Nov. 15, 1982**
- [52] **U.S. Cl. D8/310; D6/457**
- [58] **Field of Search D8/300, 307, 308, 309,
D8/310, 311, 312; D6/149; 16/11 R, 111 R,
112, 121, 124, 116 R; 292/347**

[56] **References Cited**

U.S. PATENT DOCUMENTS

- D. 082,827 12/1930 Kasch D8/307
- D. 233,497 11/1974 Zelkowitz D6/149
- 956,485 4/1910 Conklin 16/110 R
- 2,540,306 2/1951 Turek 16/116 R

FOREIGN PATENT DOCUMENTS

996097 12/1951 France 292/347

OTHER PUBLICATIONS

Jaybee Mfg. Corp. No. 133; pub. 7/1/1968; p. 68; facet
brilliante knob 666.

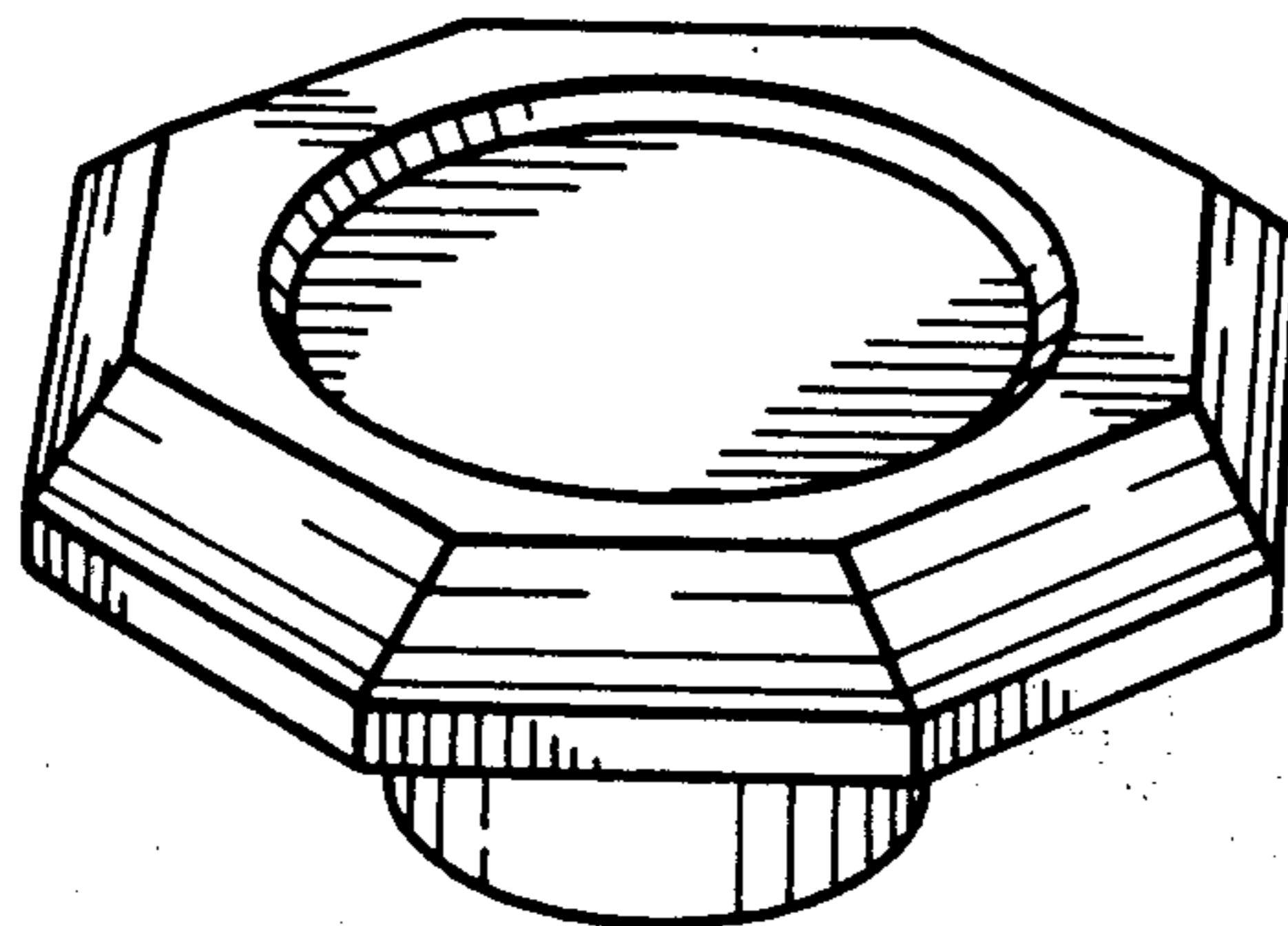
Primary Examiner—B. J. Bullock
Attorney, Agent, or Firm—Gregory J. Mancuso

[57] **CLAIM**

The ornamental design for a knob, substantially as
shown.

DESCRIPTION

FIG. 1 is a reduced front perspective view of the knob
showing my new design;
FIG. 2 is a top plan view thereof;
FIG. 3 is a side elevation thereof;
FIG. 4 is a bottom plan view thereof.



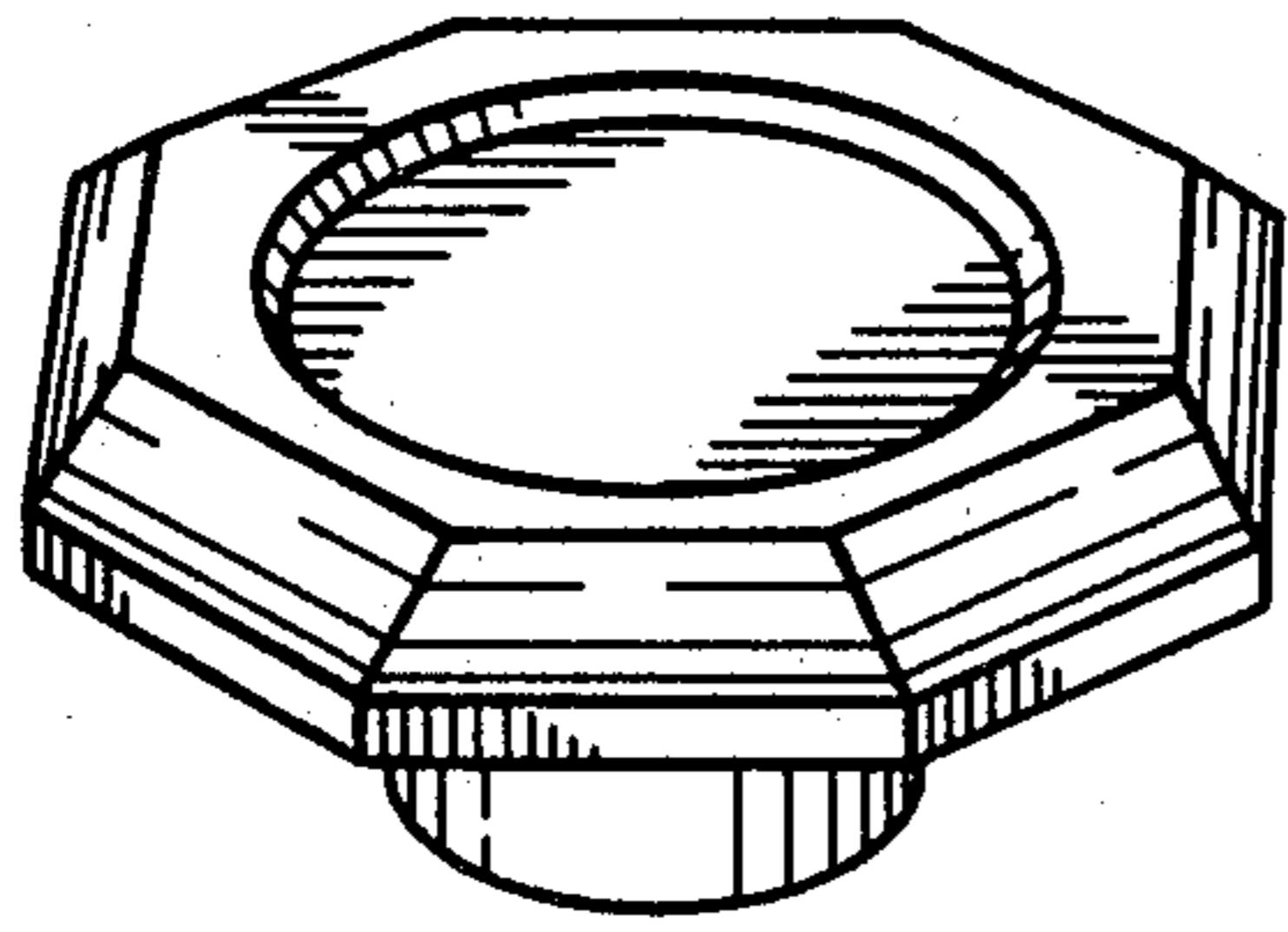


FIG. 1

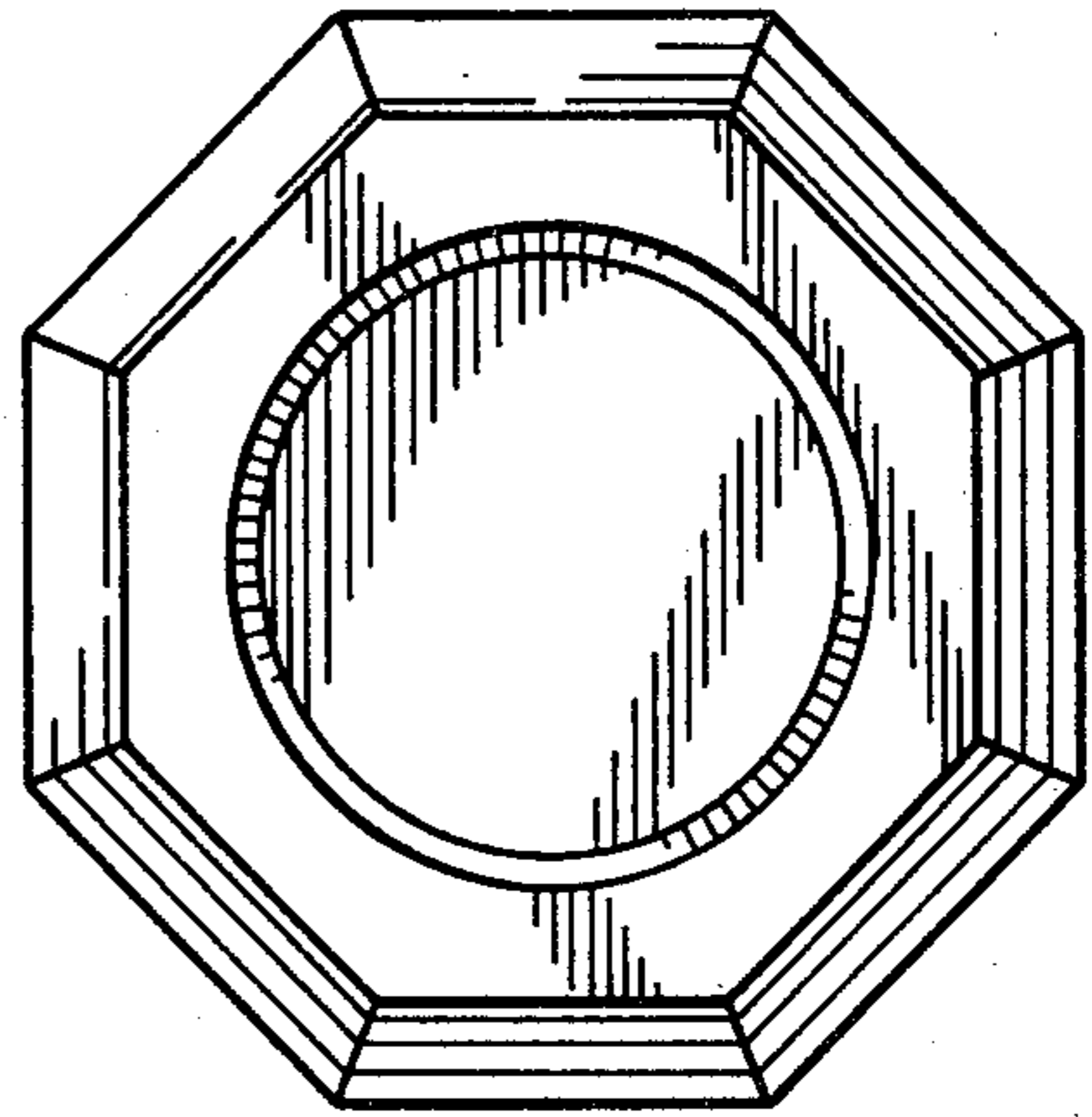


FIG. 2

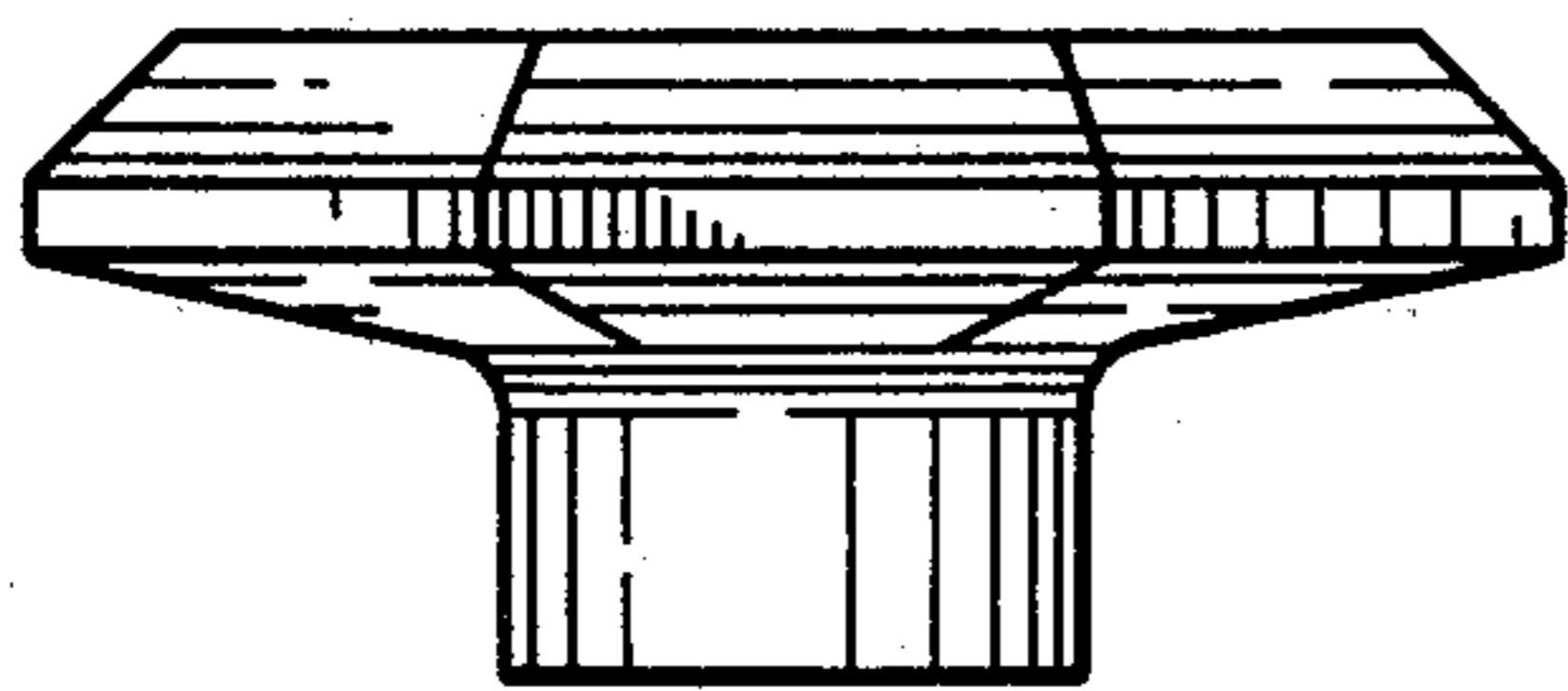


FIG. 3

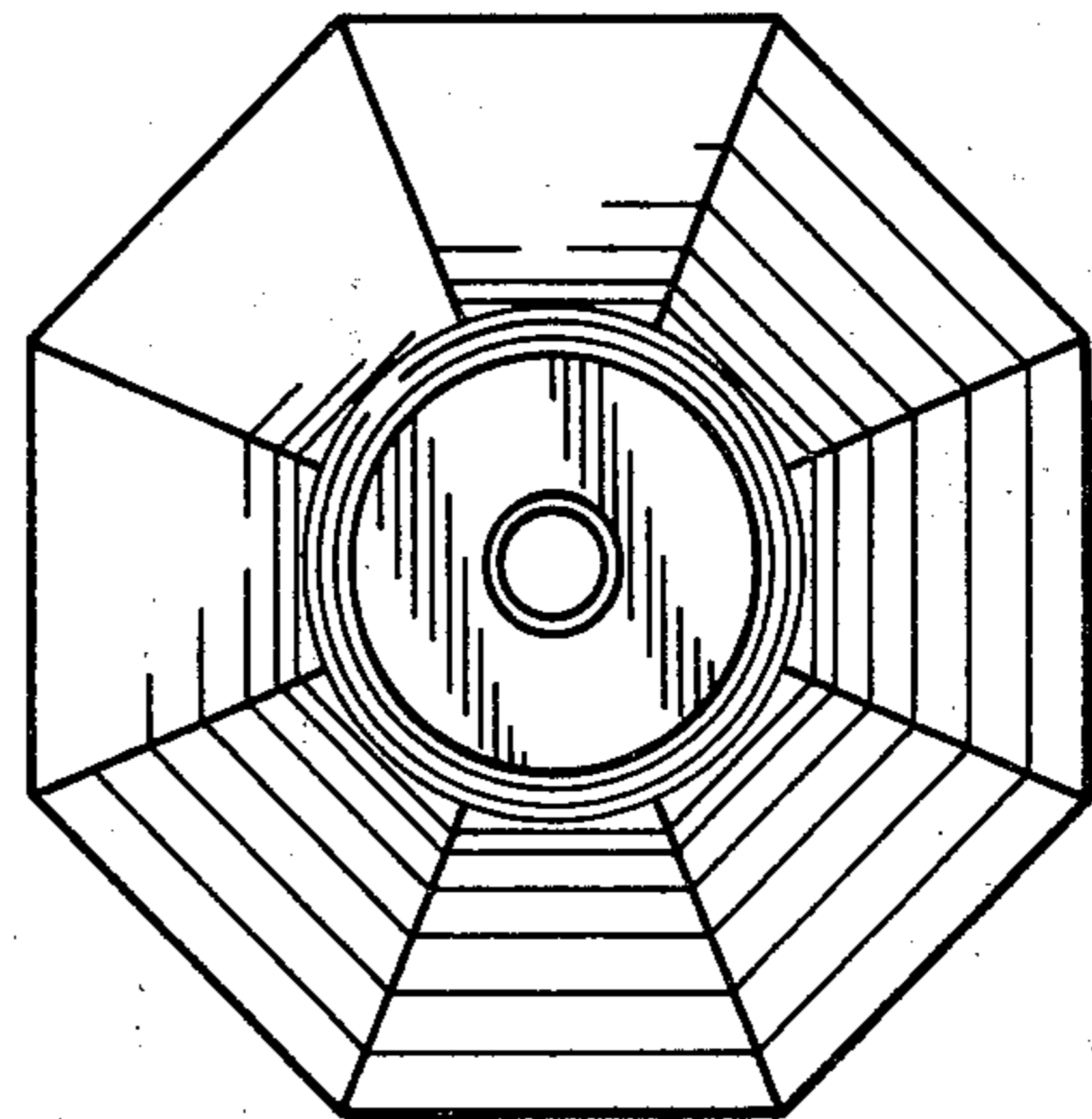


FIG. 4