

**United States Patent** [19]  
Hamel et al.

[11] **Patent Number: Des. 274,689**  
[45] **Date of Patent: \*\* Jul. 17, 1984**

[54] **PNEUMATIC STUNNER**  
[75] **Inventors: Jerome T. Hamel, Shawnee; Bernard G. Huff, Shawnee Mission, both of Kans.**  
[73] **Assignee: Hantover, Inc., Kansas City, Mo.**  
[\*\*] **Term: 14 Years**  
[21] **Appl. No.: 359,275**  
[22] **Filed: Mar. 18, 1982**  
[52] **U.S. Cl. .... D8/68**  
[58] **Field of Search ..... D8/68, 61; 17/1 B**

4,219,905 9/1980 Thacker et al. .... 17/1 B

*Primary Examiner*—Alan P. Douglas  
*Attorney, Agent, or Firm*—Schmidt, Johnson, Hovey & Williams

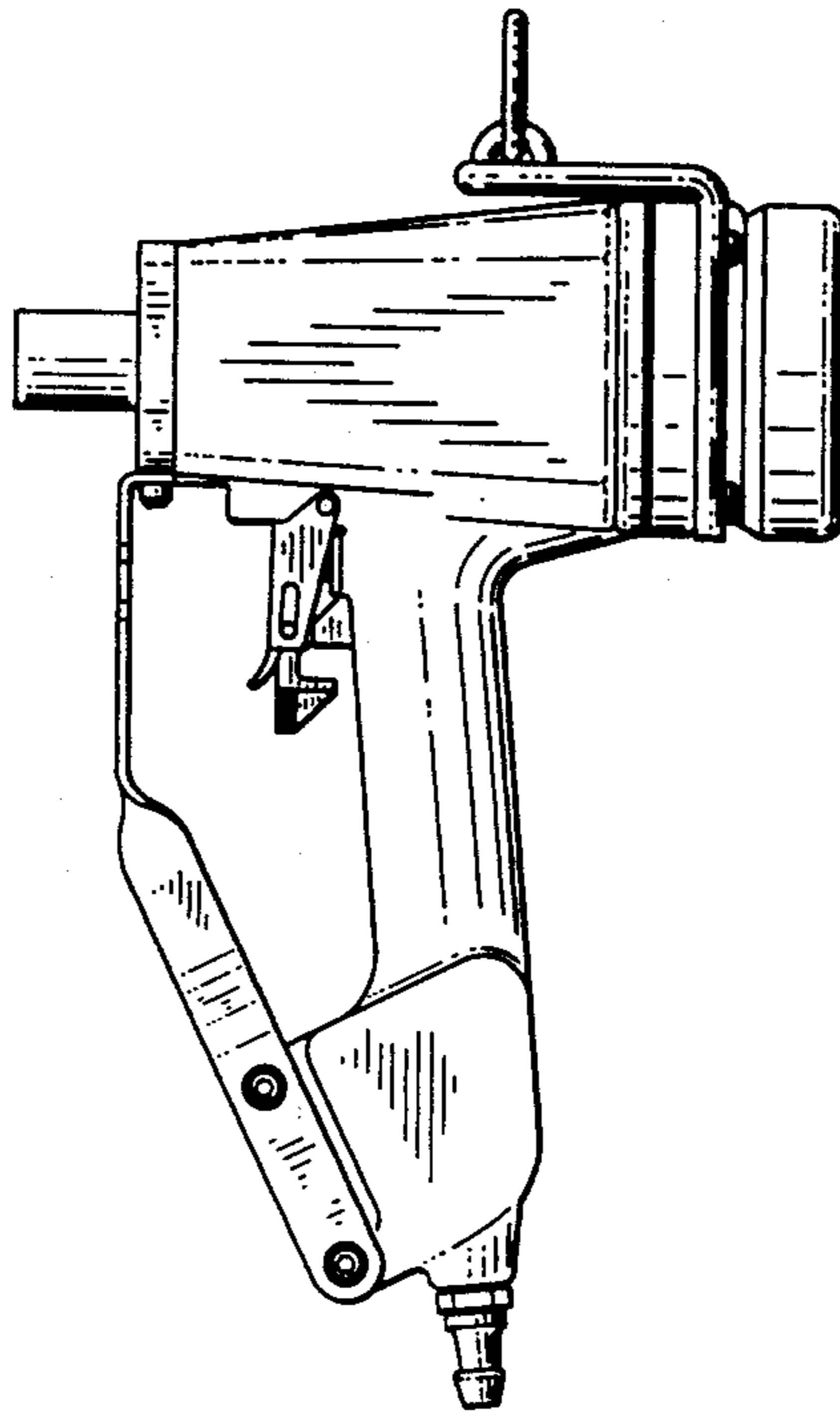
[57] **CLAIM**

The ornamental design for a pneumatic stunner, as shown.

**DESCRIPTION**

FIG. 1 is a front elevational view of the pneumatic stunner showing our new design; FIG. 2 is a side elevational view of one side thereof; FIG. 3 is a rear elevational view; FIG. 4 is a side elevational view showing the side opposite to that shown in FIG. 2; FIG. 5 is a top plan view; and FIG. 6 is a bottom plan view.

[56] **References Cited**  
**U.S. PATENT DOCUMENTS**  
D. 154,721 8/1949 Soubier ..... D8/68  
3,727,337 4/1973 Hancox ..... 17/1 B X



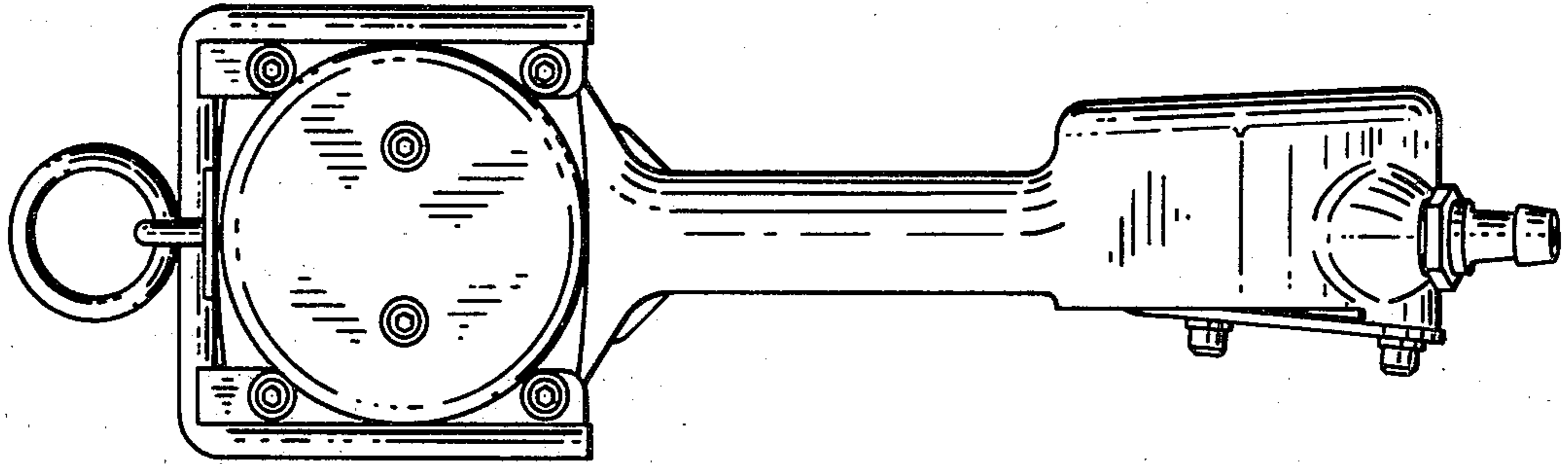


Fig. 3.

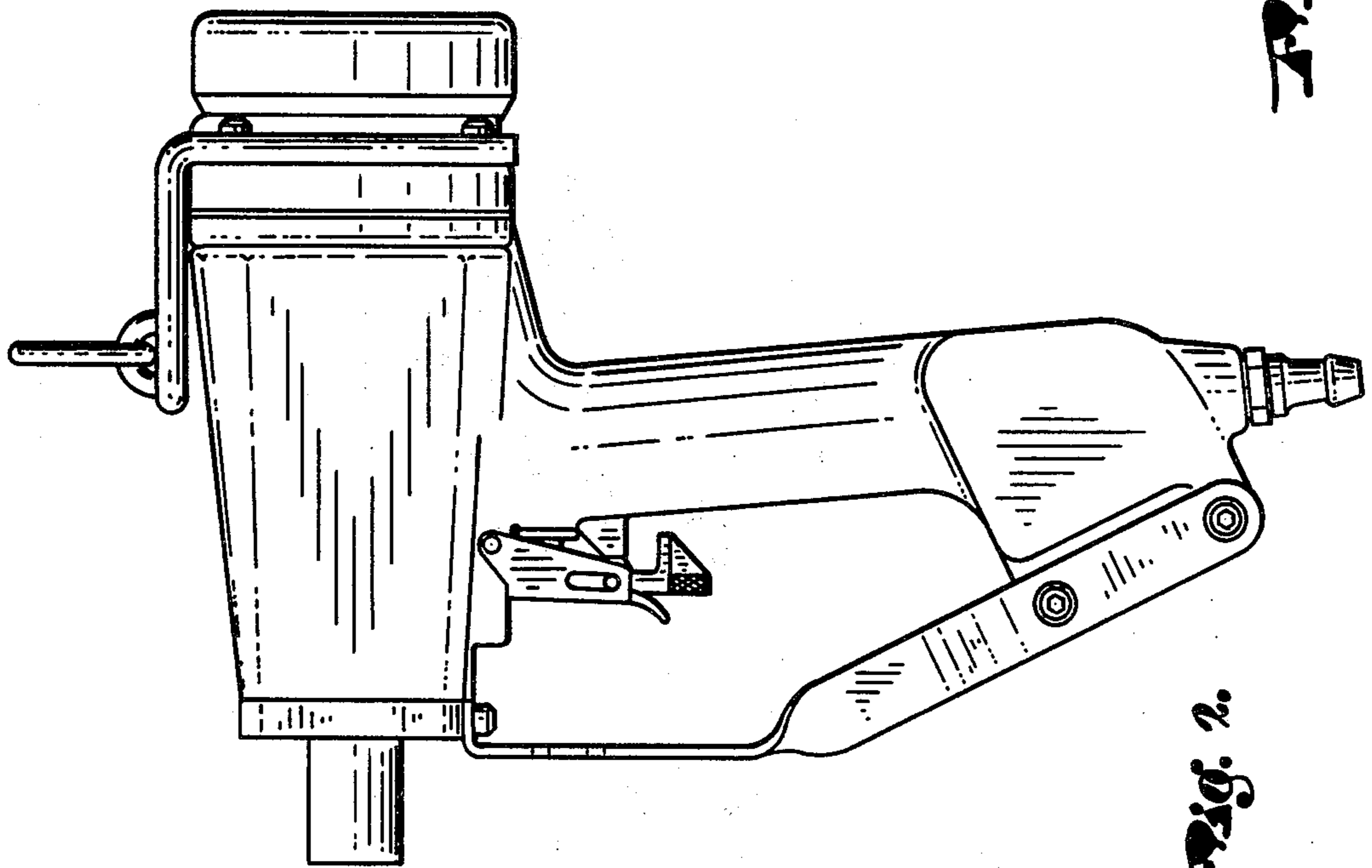


Fig. 2.

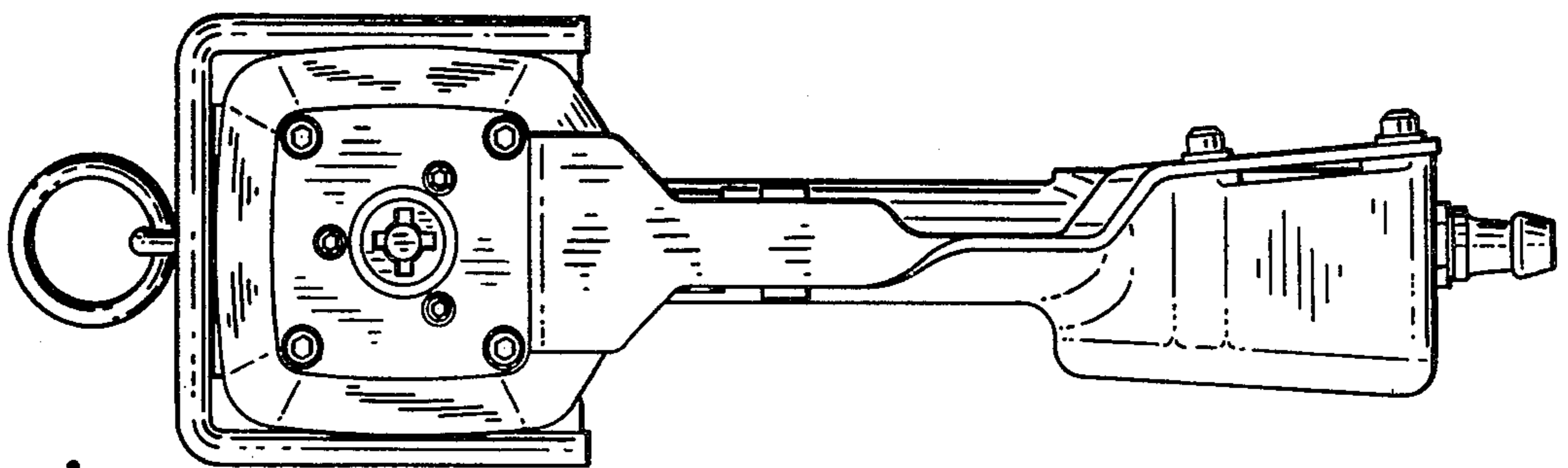
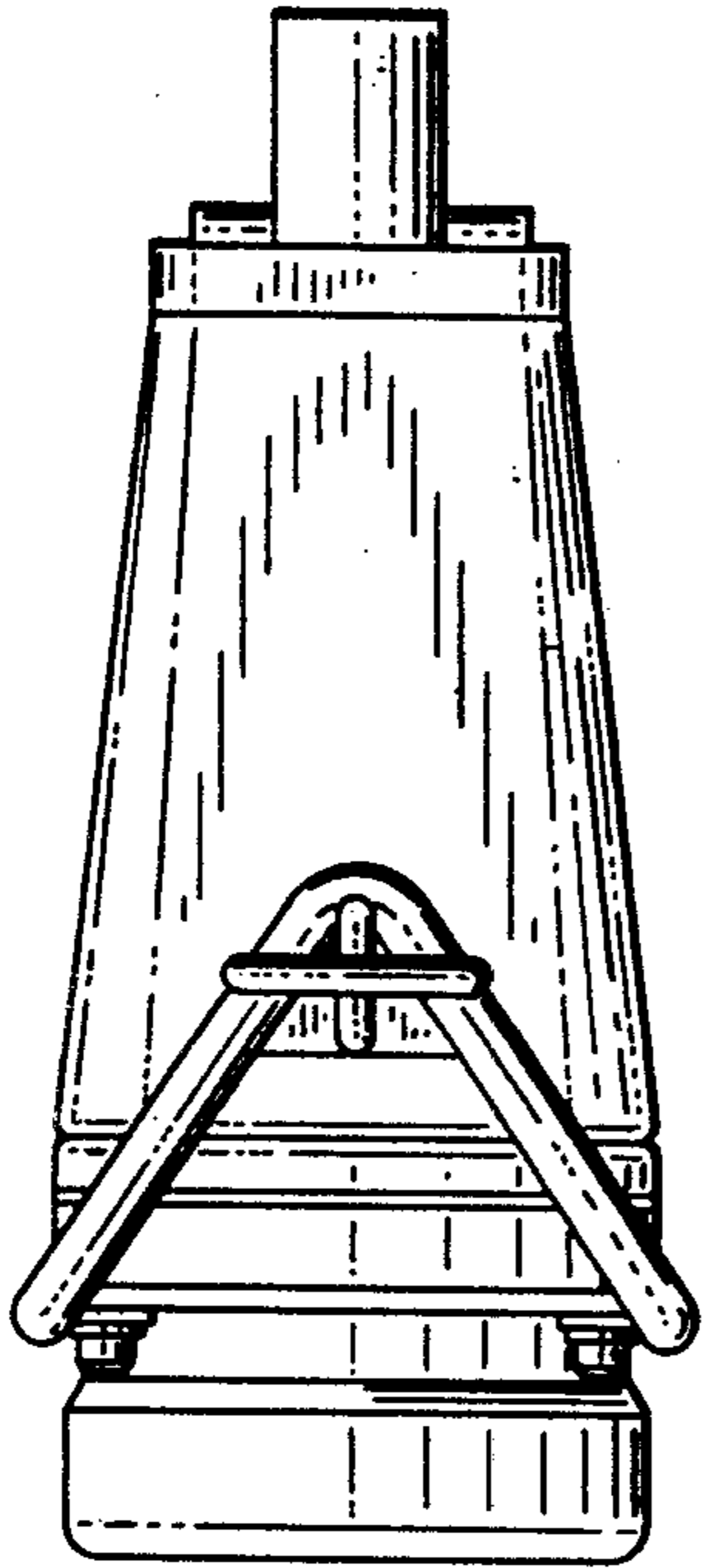
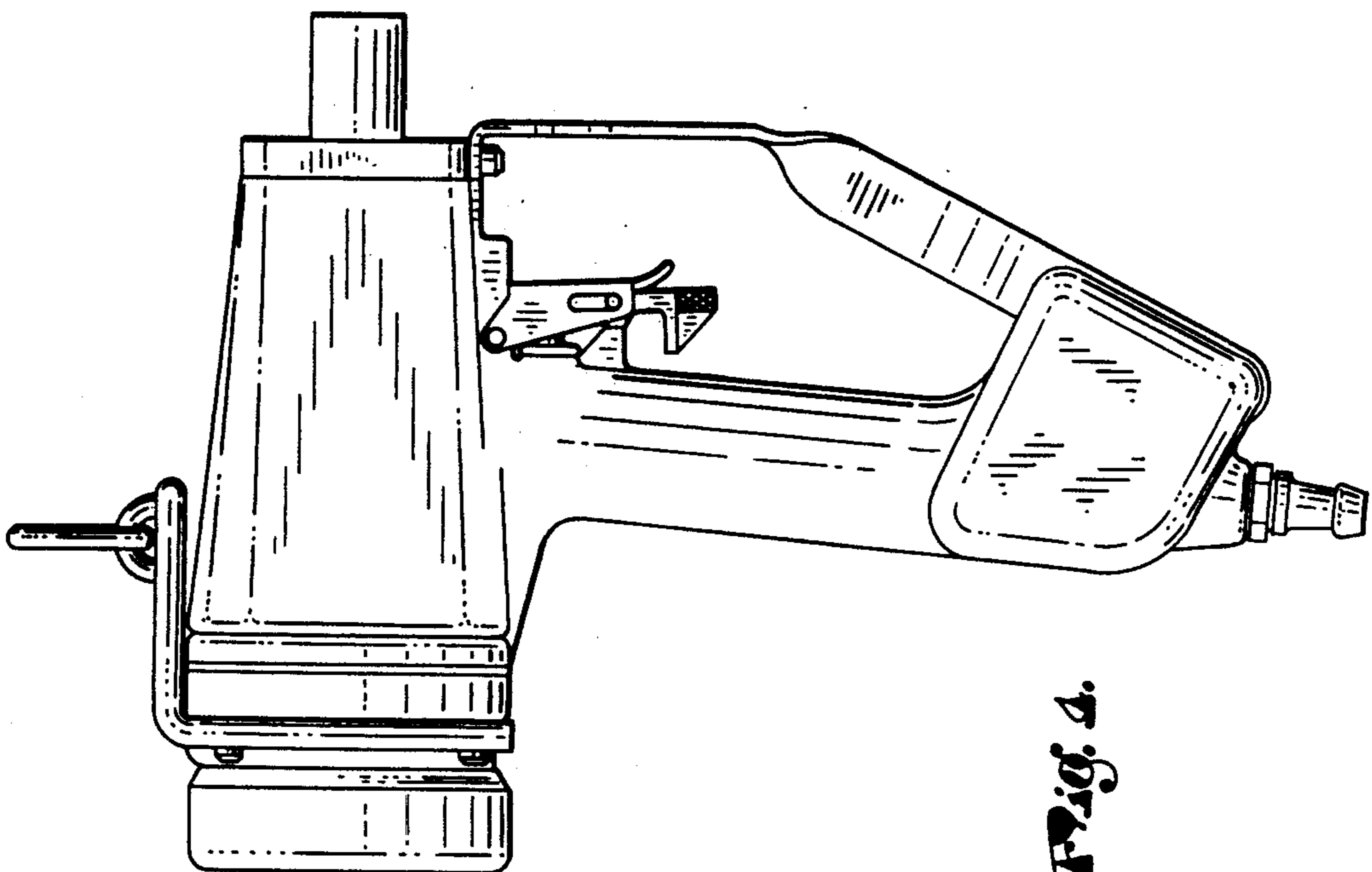
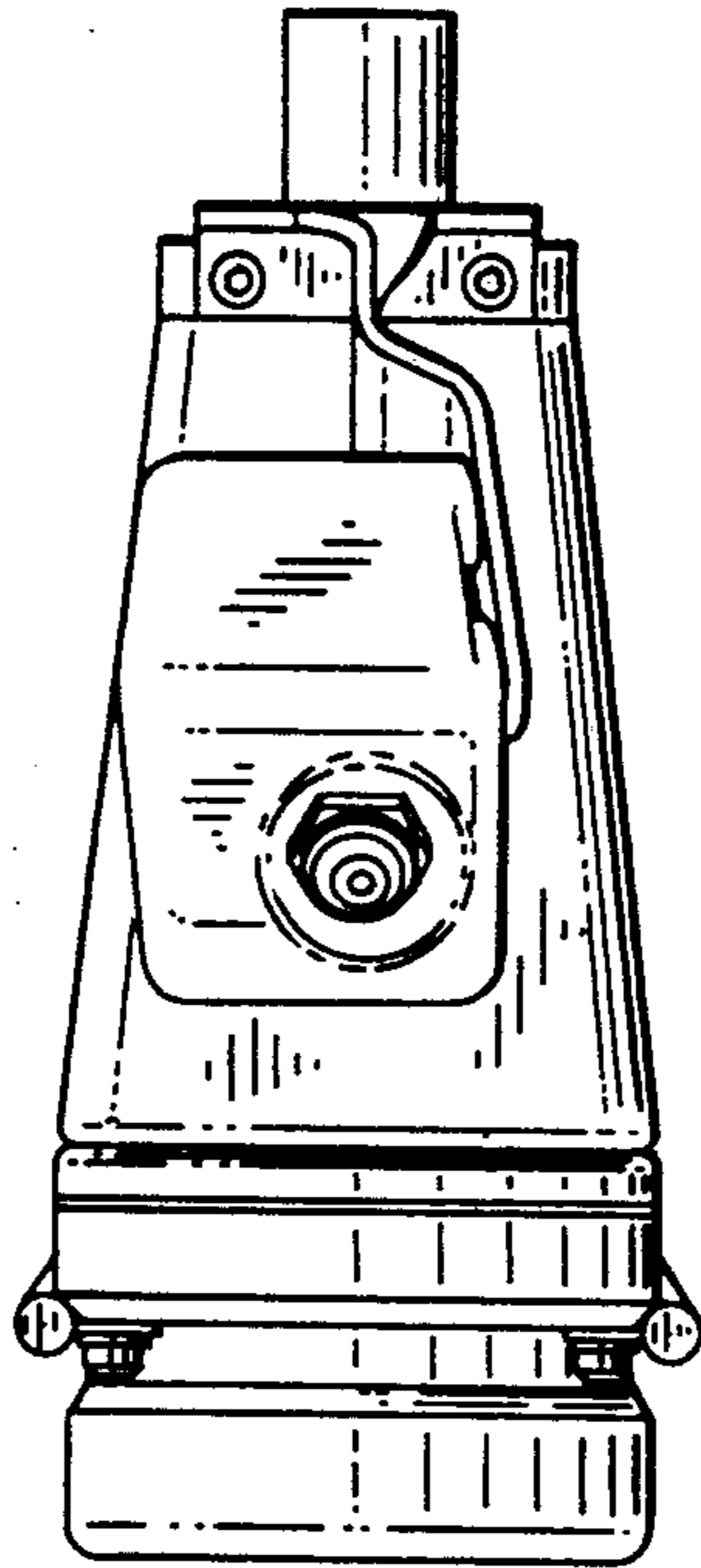


Fig. 1.

*Fig. 5.*



*Fig. 6.*



*Fig. 7.*