

**United States Patent** [19]  
**Ambler**

[11] **Patent Number: Des. 274,686**

[45] **Date of Patent: \*\* Jul. 17, 1984**

[54] **BARBEQUE GRILL**

[76] **Inventor: Keith S. Ambler, Lark Hill Lodge,  
Moorside, Cleckheaton, West  
Yorkshire, England**

[\*\*] **Term: 14 Years**

[21] **Appl. No.: 364,693**

[22] **Filed: Apr. 2, 1982**

[30] **Foreign Application Priority Data**

Jul. 10, 1981 [GB] United Kingdom ..... 1002882  
[52] **U.S. Cl. .... D7/337**  
[58] **Field of Search .... D7/331-337;  
126/9 R, 9 A, 9 B, 25 R, 25 A, 25 AA, 25 B, 25  
C, 29, 30**

[56] **References Cited**

**U.S. PATENT DOCUMENTS**

D. 212,867 12/1968 Ishida ..... D7/337  
D. 257,207 10/1980 Tisdale ..... D7/337  
3,481,267 12/1969 Saiki ..... 126/25 R

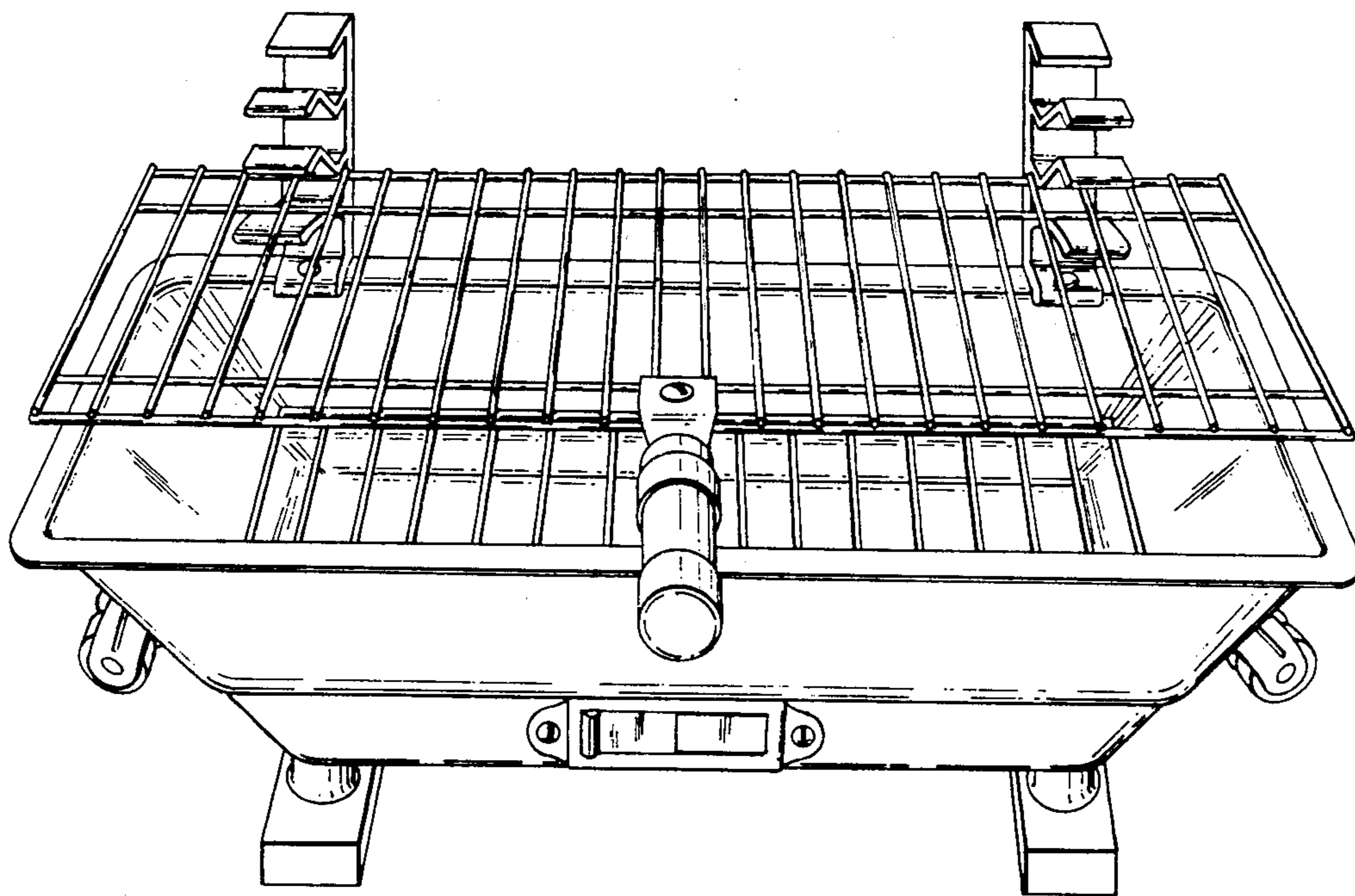
*Primary Examiner*—Wallace R. Burke  
*Assistant Examiner*—Lynn Wilder  
*Attorney, Agent, or Firm*—John C. Smith, Jr.

[57] **CLAIM**

The ornamental design for a barbecue grill, as shown and described.

**DESCRIPTION**

FIG. 1 is a perspective view of a barbecue grill showing my new design; FIG. 2 is a rear elevational view thereof; and FIG. 3 is one end elevational view thereof, the other side being a mirror image.



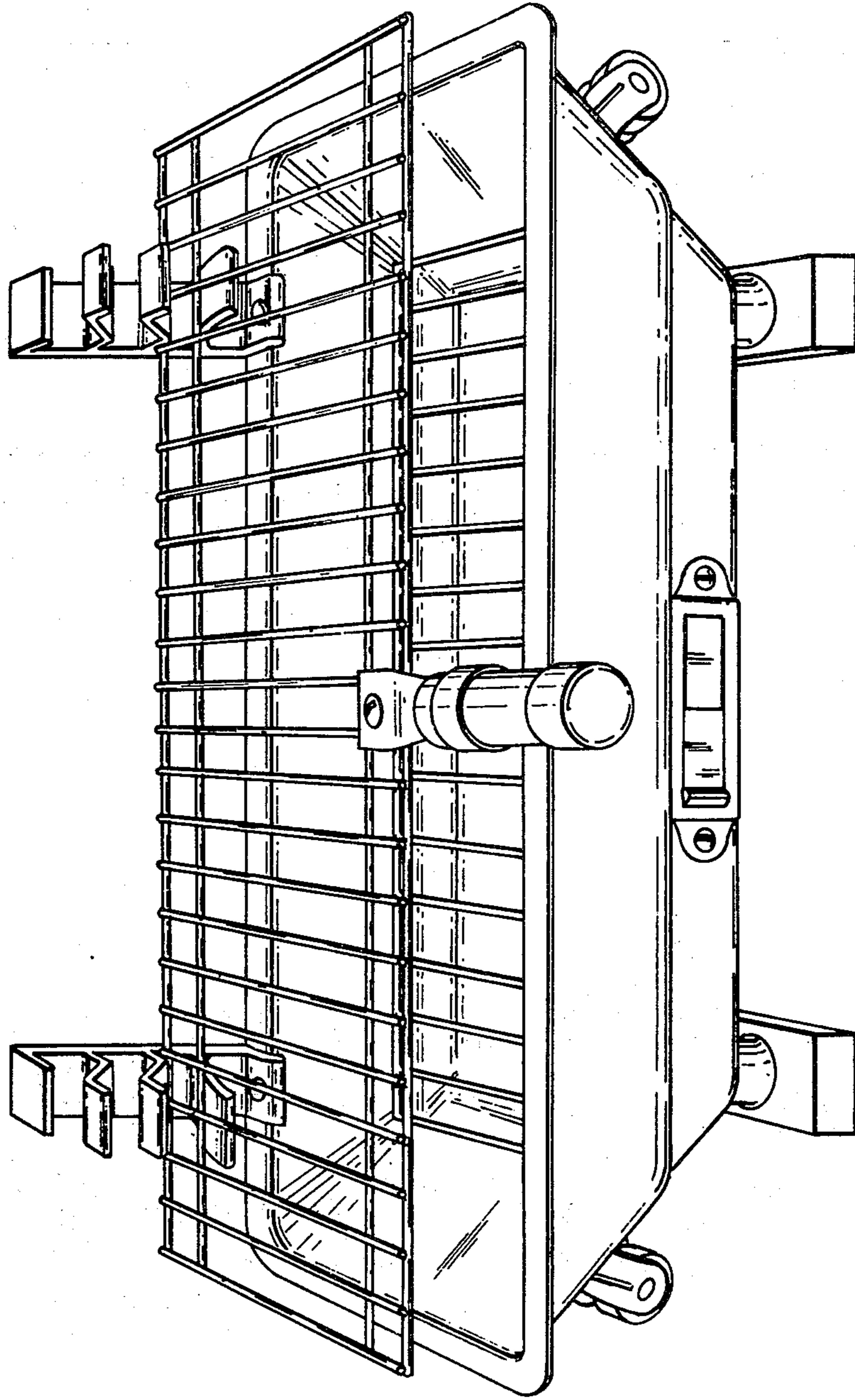


FIGURE 1

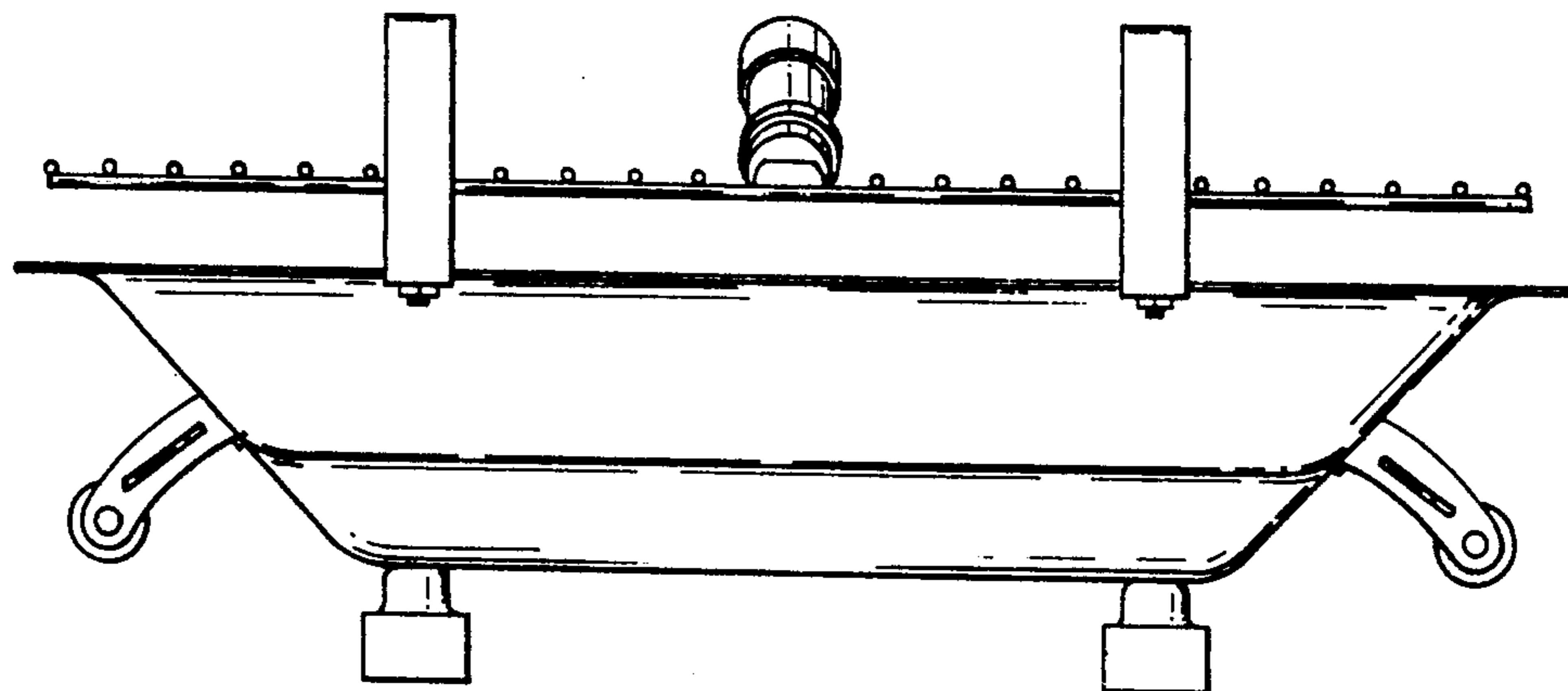


FIGURE 2

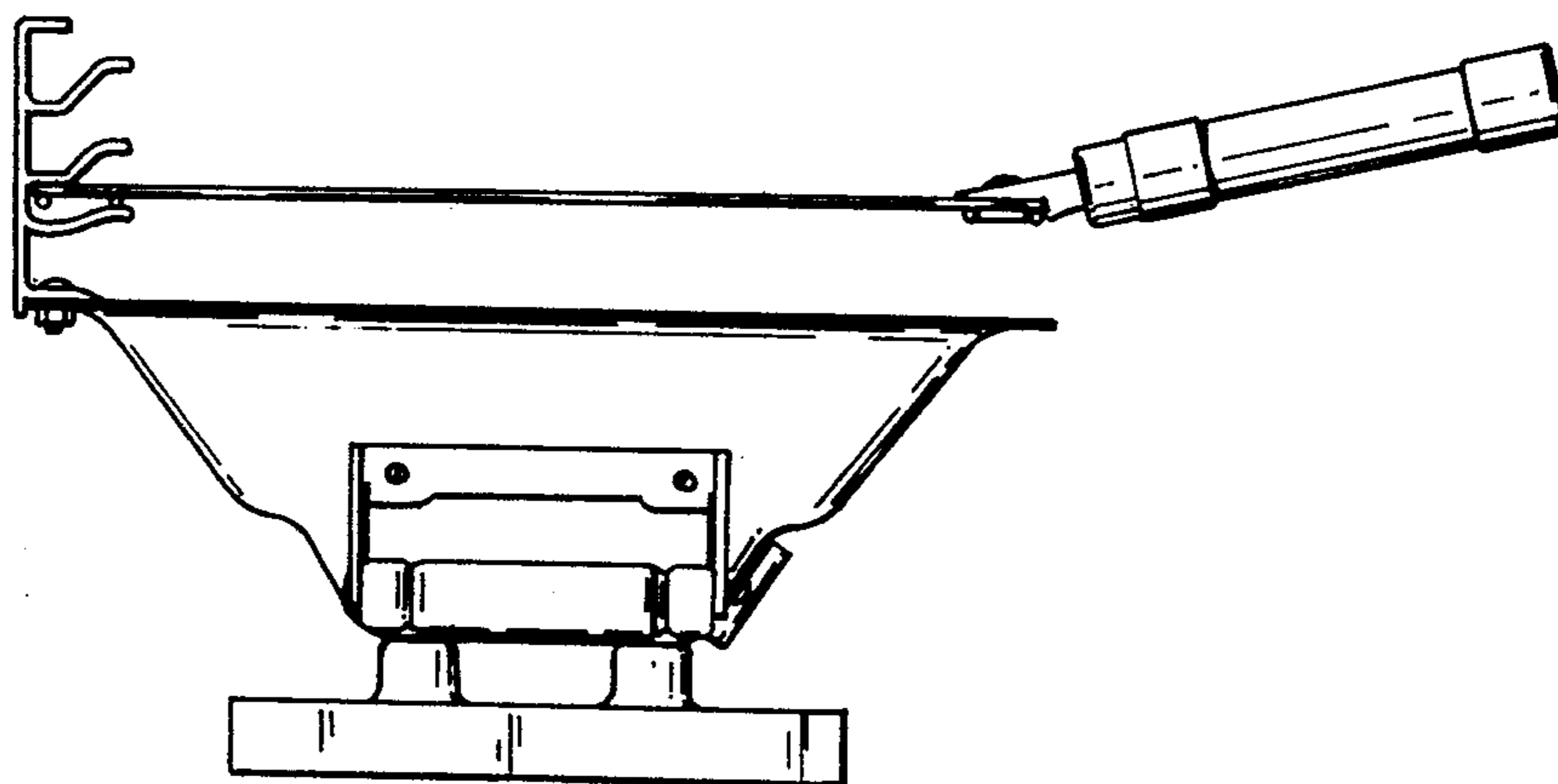


FIGURE 3