

[54] **VACUUM BOTTLE**

[75] **Inventor: Hitoshi Ohmoto, Osaka, Japan**  
 [73] **Assignee: Zojirushi Vacuum Bottle Co., Ltd., Osaka, Japan**  
 [\*\*] **Term: 14 Years**  
 [21] **Appl. No.: 171,012**  
 [22] **Filed: Jul. 18, 1980**

[30] **Foreign Application Priority Data**

Jan. 21, 1980 [JP] Japan ..... 55-1530  
 [52] **U.S. Cl. .... D7/313; D7/320; D7/77**  
 [58] **Field of Search ..... D7/77, 78, 60, 61**

[56] **References Cited**

**U.S. PATENT DOCUMENTS**

D. 193,640 9/1962 Deaver ..... D7/77  
 D. 248,917 8/1978 Kikuchi ..... D7/77 X  
 D. 259,012 4/1981 Harris ..... D7/77  
 4,189,061 2/1980 Yu ..... D7/77 X

**FOREIGN PATENT DOCUMENTS**

54384404 8/1974 Japan ..... D7/77  
 54-6102 3/1979 Japan ..... D7/77  
 54-490543 8/1979 Japan ..... D7/77  
 54-27146 9/1979 Japan ..... D7/77

**OTHER PUBLICATIONS**

*Aladdin Supplement to HFD*, Jan. 16, 1978, Sec. II, p. 2,

“Pump A-Drink”, Quart/Thermos with built in dispenser.  
*Aladdin's Supplement to HFD*, Jul. 9, 1979, Sec. Two, p. 3, Half Gallon Pump-A-Drink Jug, left panel.

*Primary Examiner*—Winifred E. Herrmann  
*Attorney, Agent, or Firm*—Armstrong, Nikaido, Marmelstein & Kubovcik

[57] **CLAIM**

The ornamental design for the vacuum bottle, as shown and described.

**DESCRIPTION**

FIG. 1 is a front elevational view of a vacuum bottle showing my new design.  
 FIG. 2 is a right side elevational view thereof, the side opposite being a mirror image thereof.  
 FIG. 3 is a rear elevational view thereof.  
 FIG. 4 is a top plan view thereof.  
 FIG. 5 is a bottom plan view thereof.  
 FIG. 6 is a right side elevational view thereof with the cap removed.  
 FIG. 7 is a top plan view thereof with the cap removed.  
 FIG. 8 is a right elevational side view of the cap thereof.  
 FIG. 9 is a left side elevational view of the cap thereof.  
 FIG. 10 is a bottom plan view of the cap thereof.  
 FIG. 11 is a right side elevational view thereof with the handle in a lowered position.

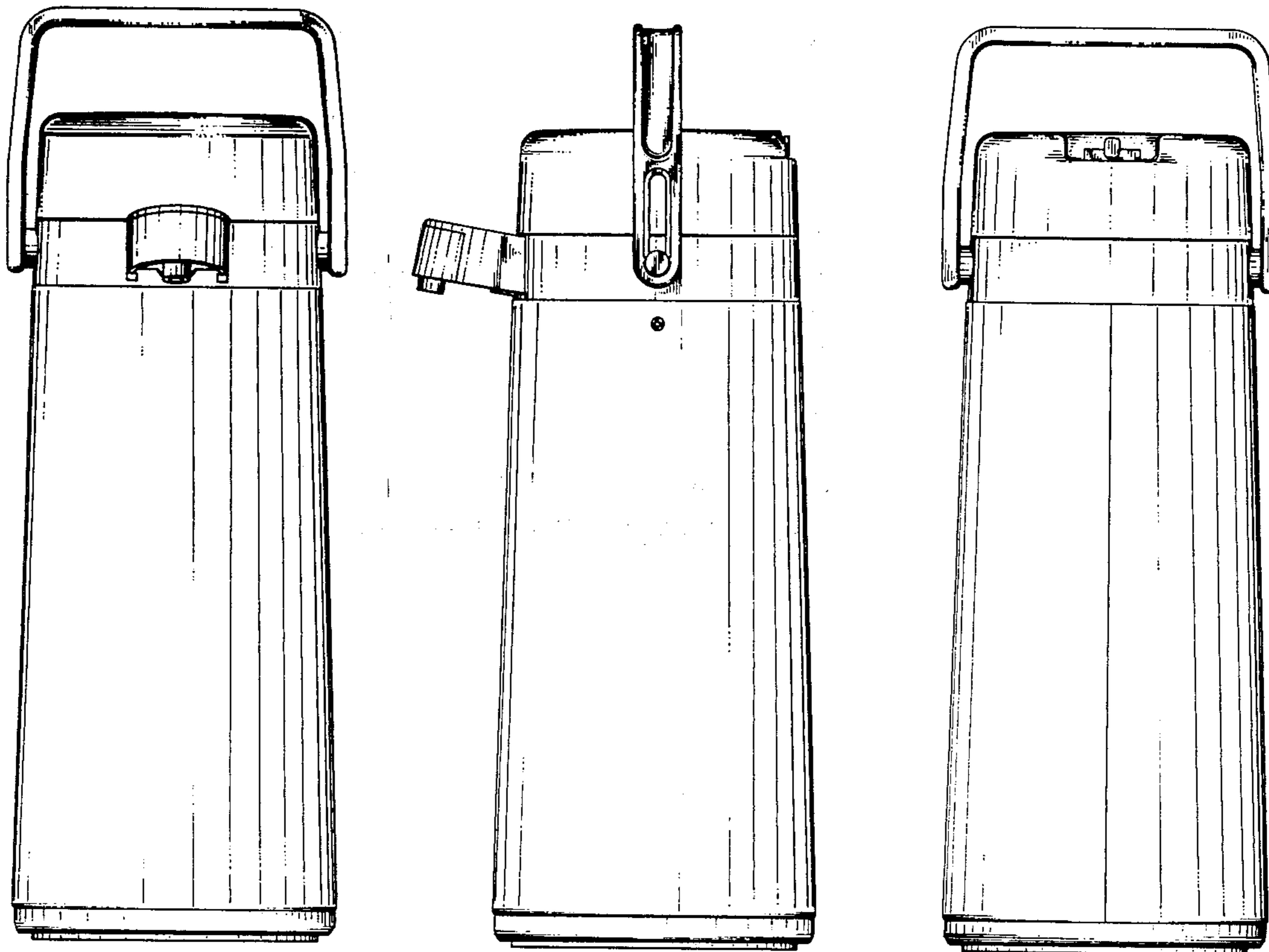


FIG. 1

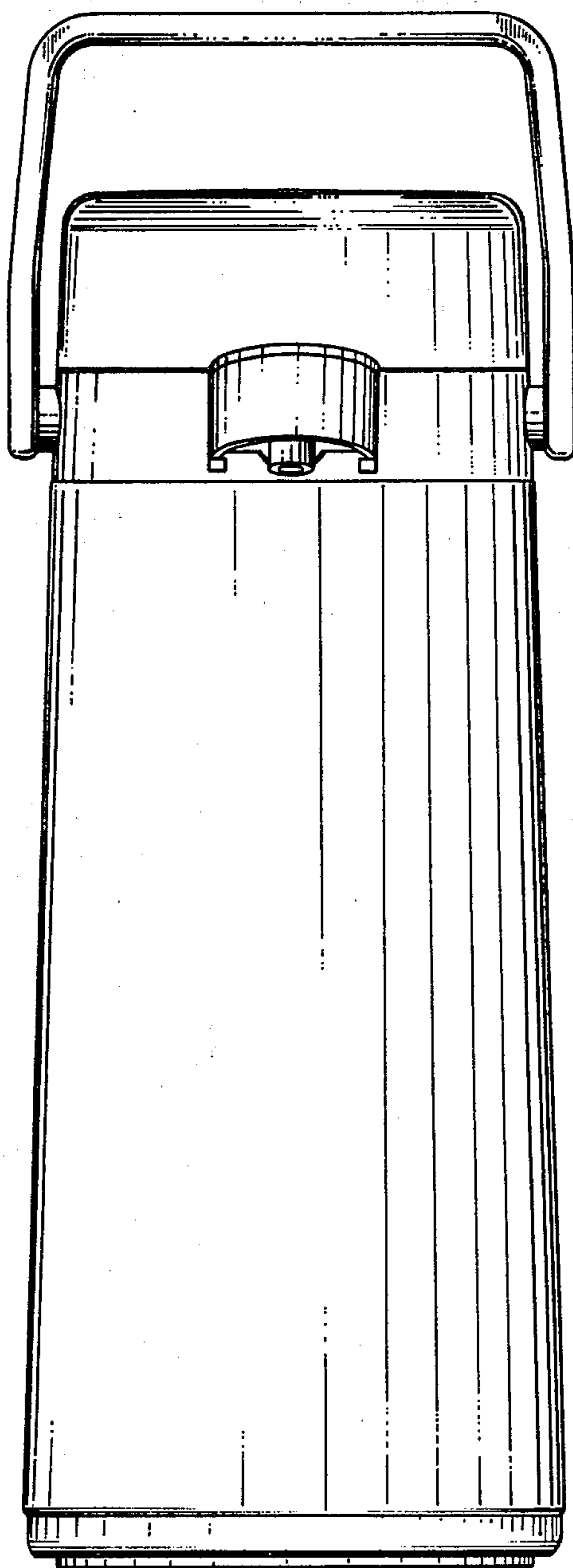


FIG. 2

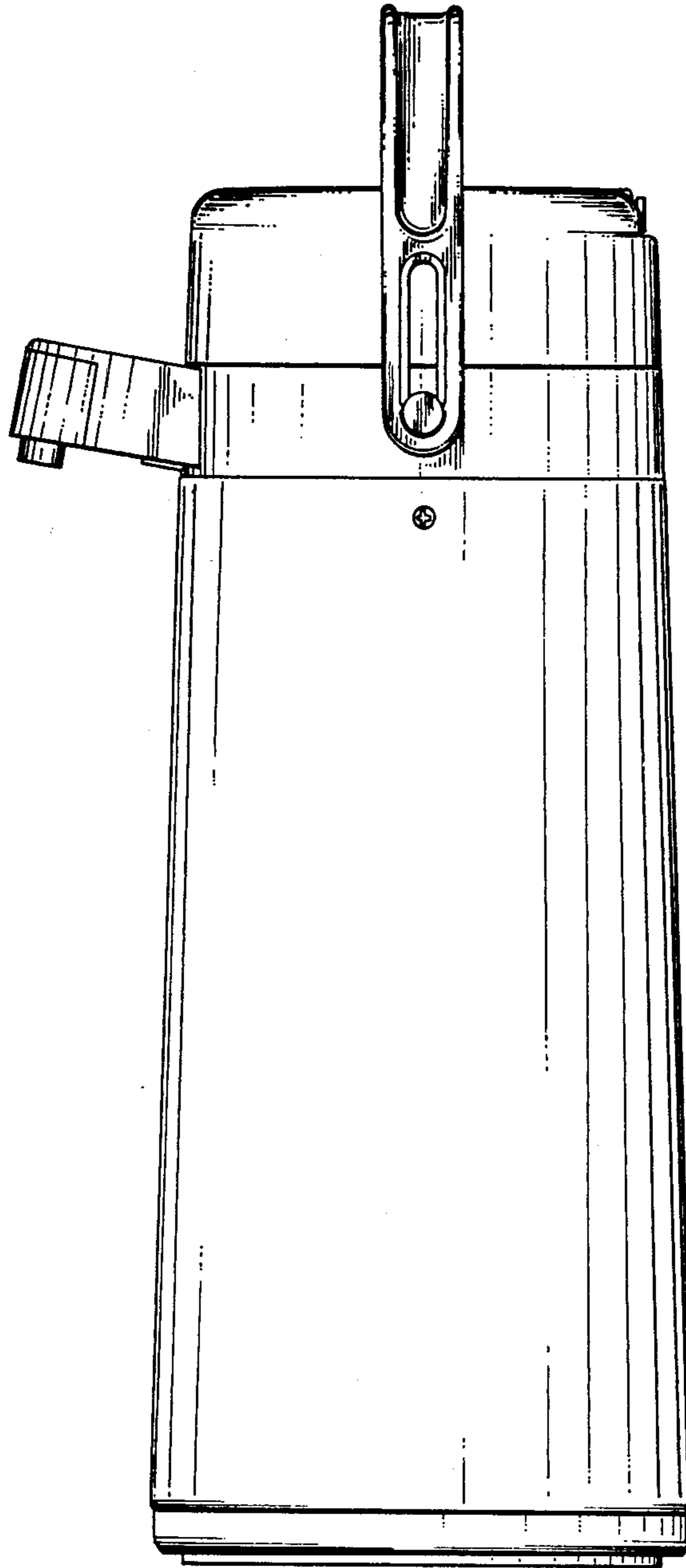


FIG. 3

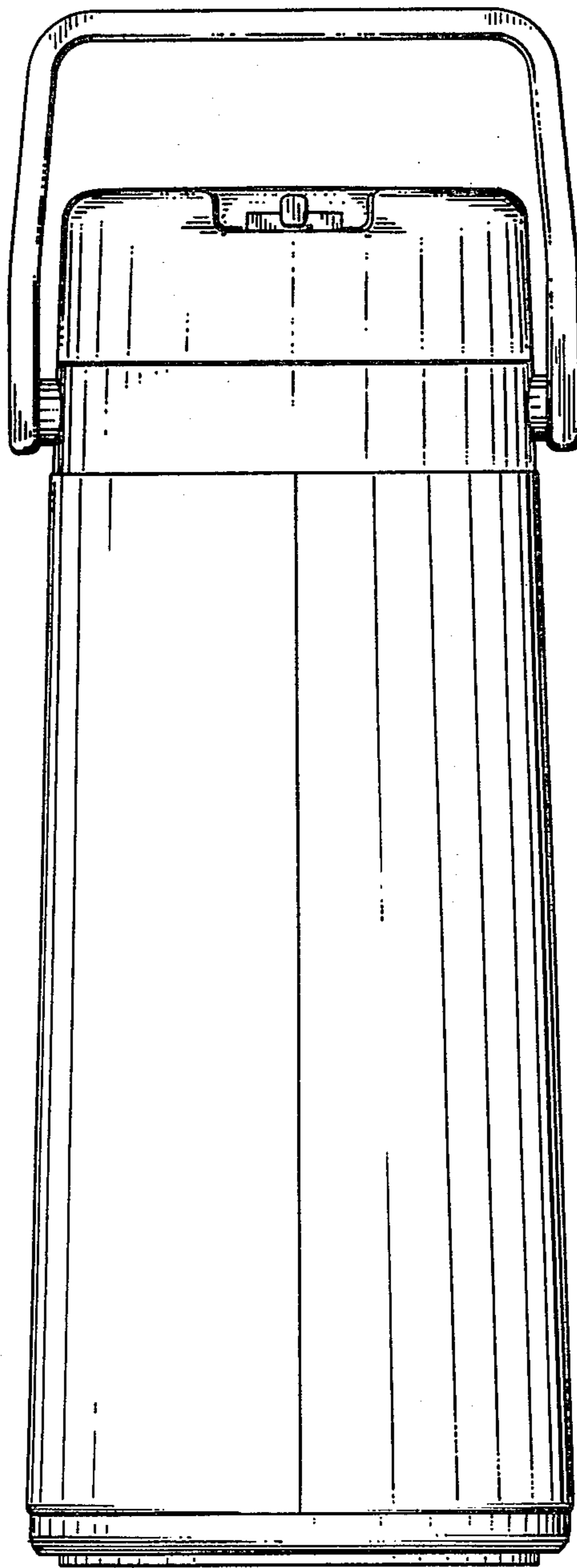


FIG. 4

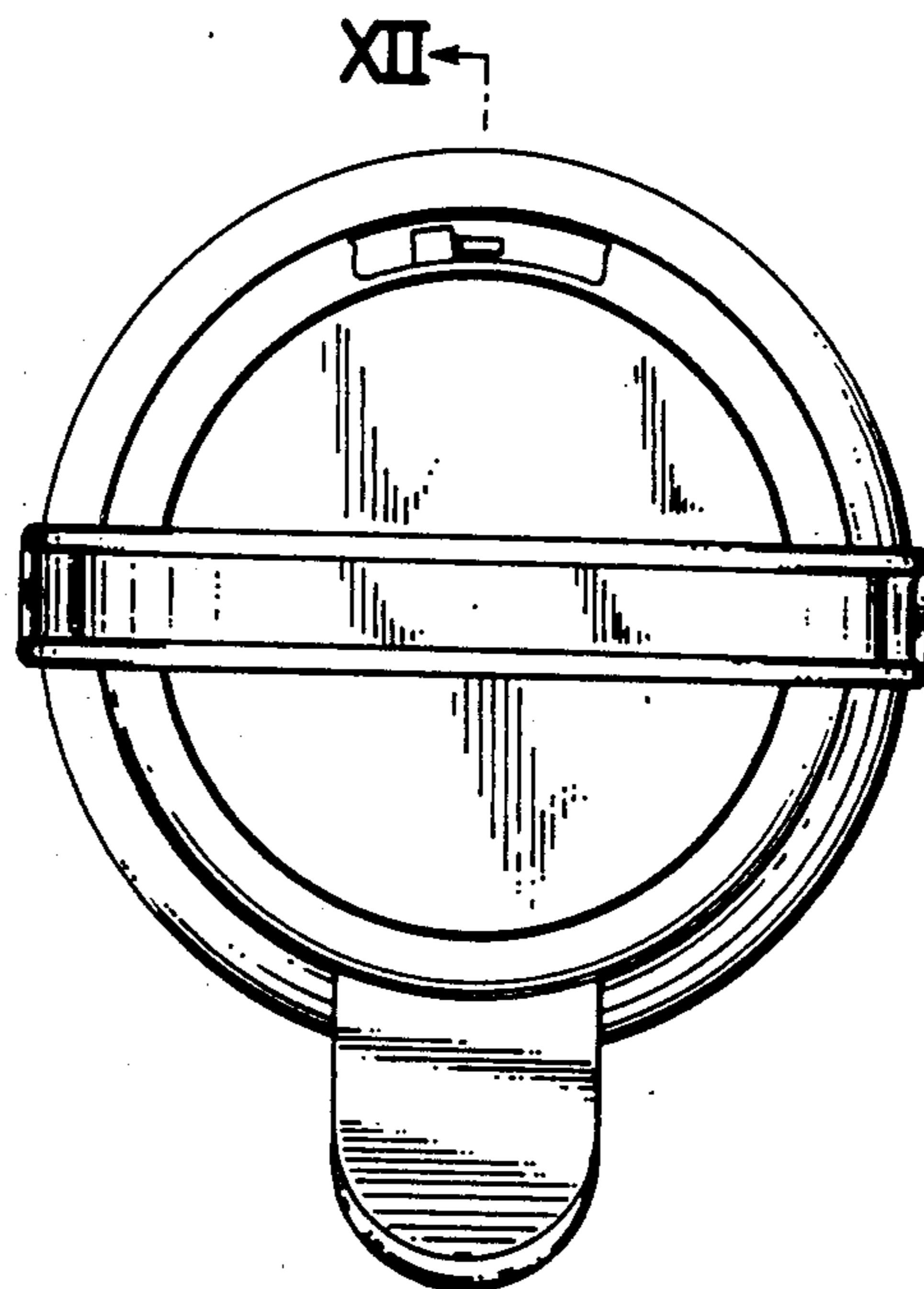


FIG. 5

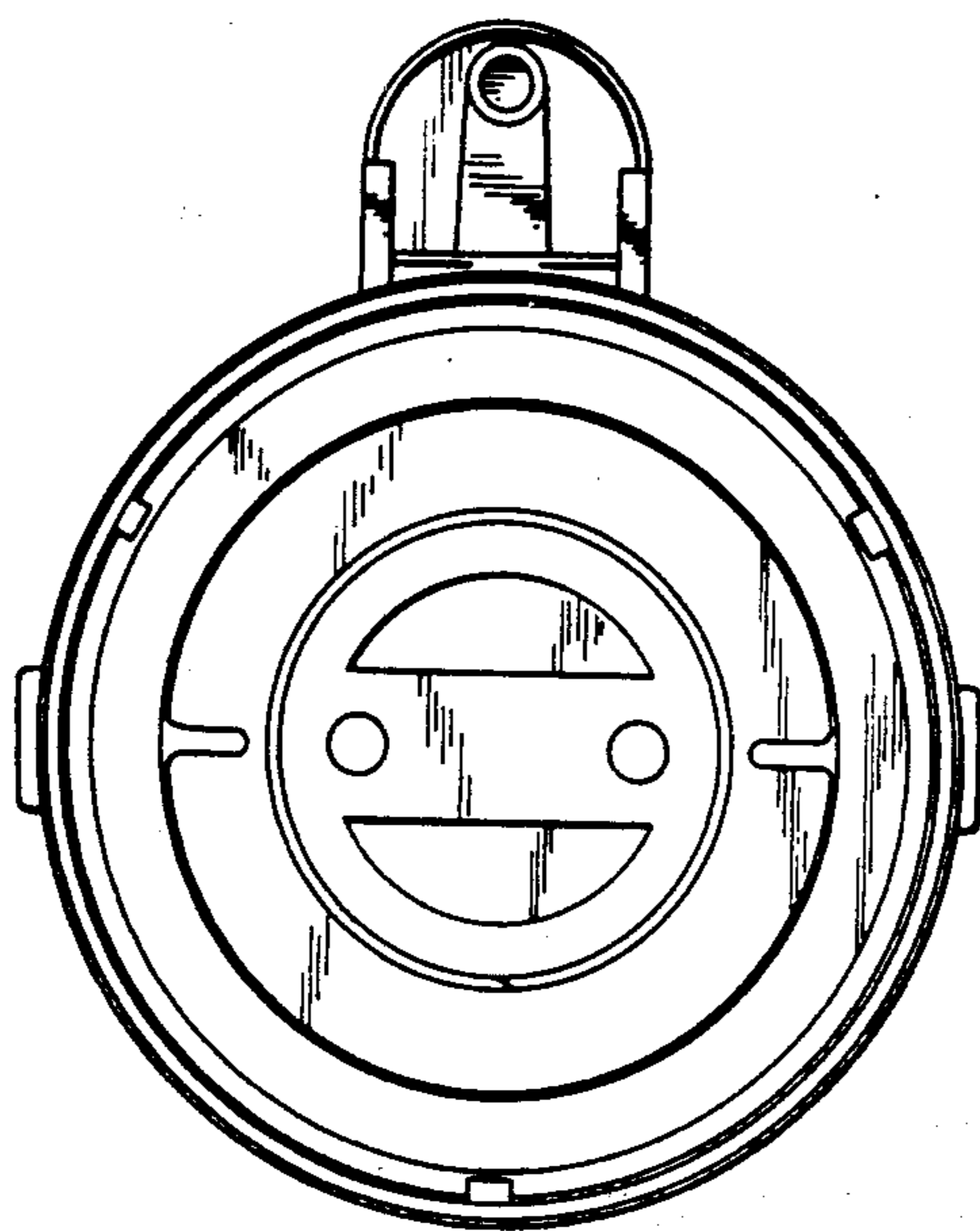
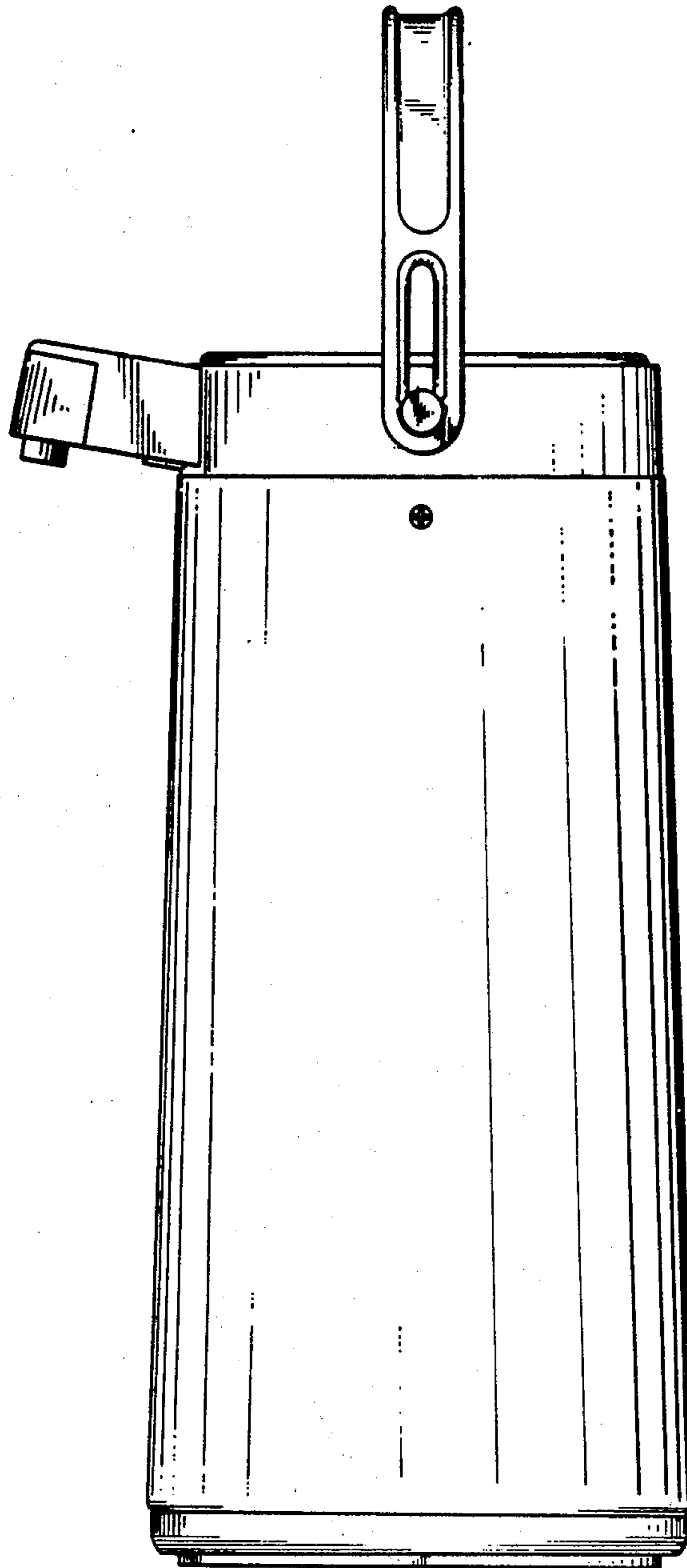
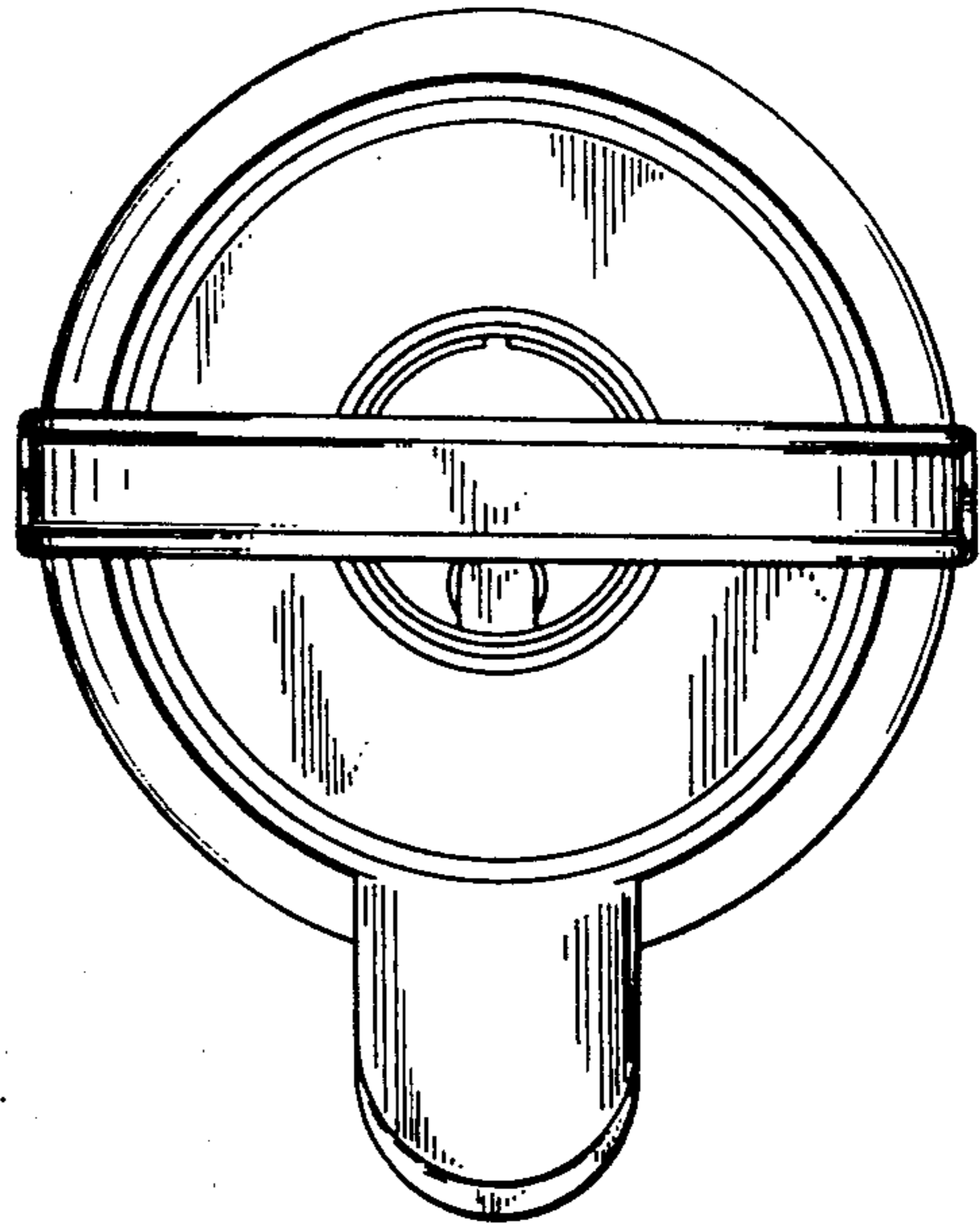


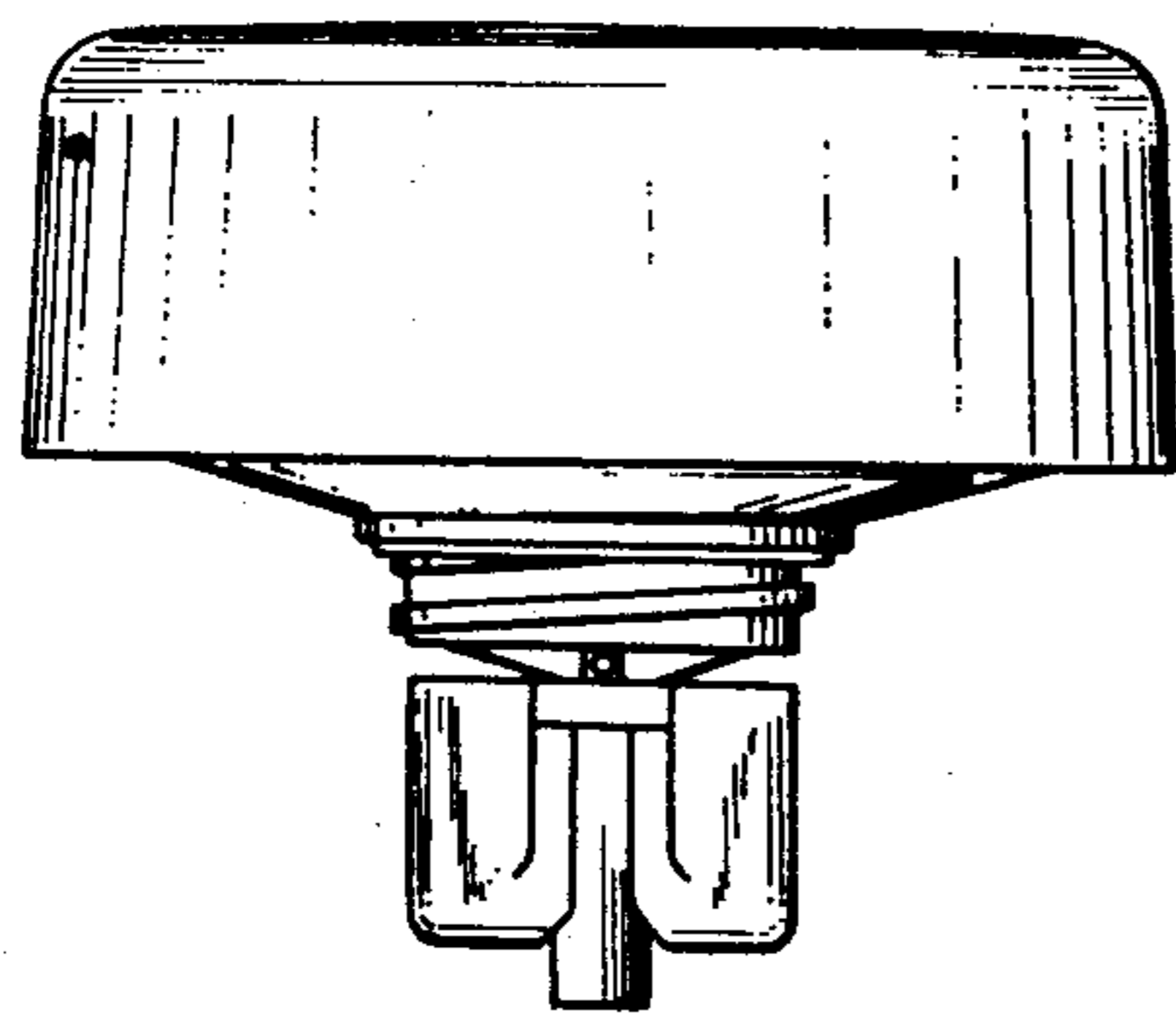
FIG. 6



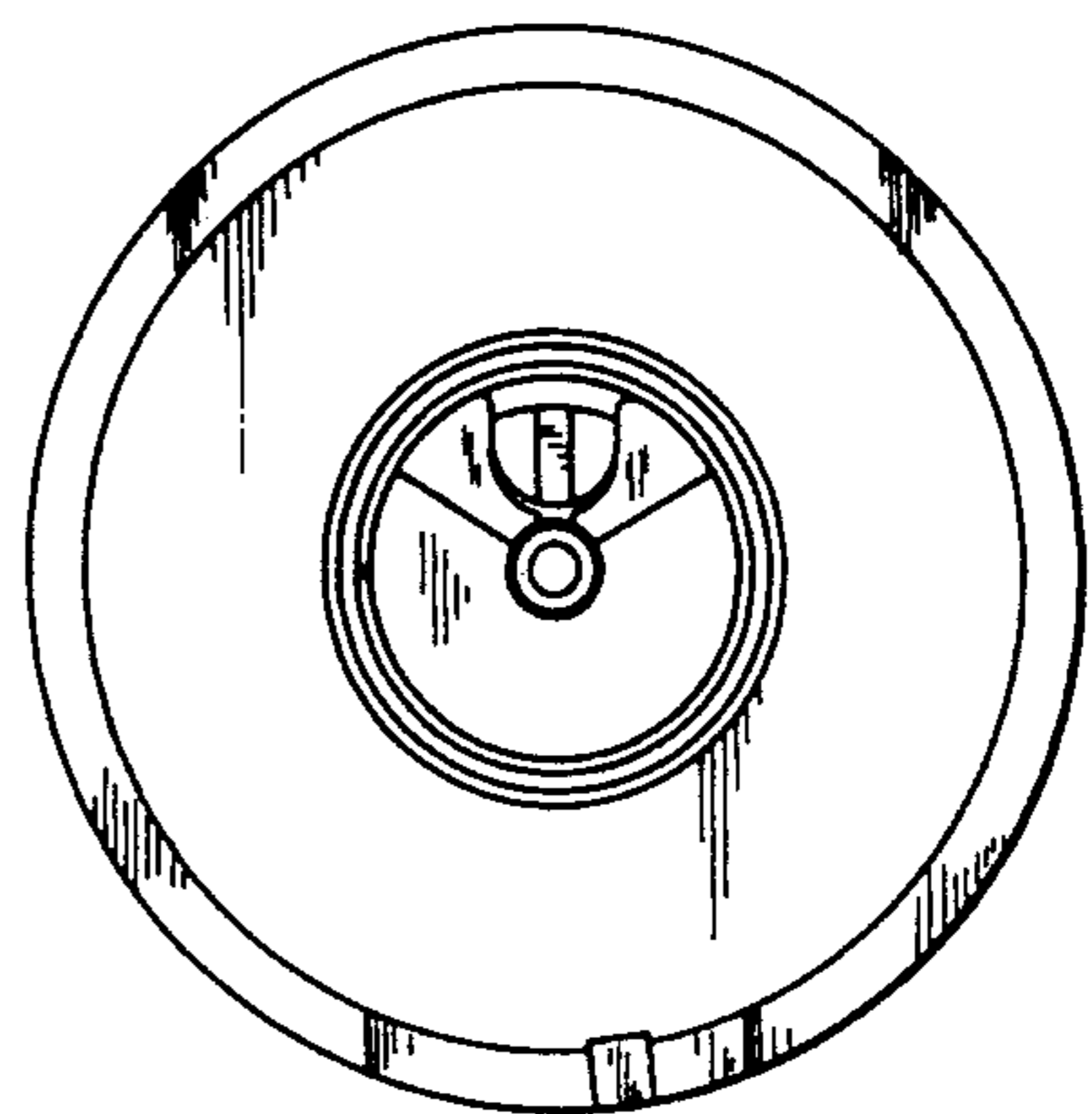
**FIG.7**



**FIG. 8**



**FIG.10**



**FIG.9**

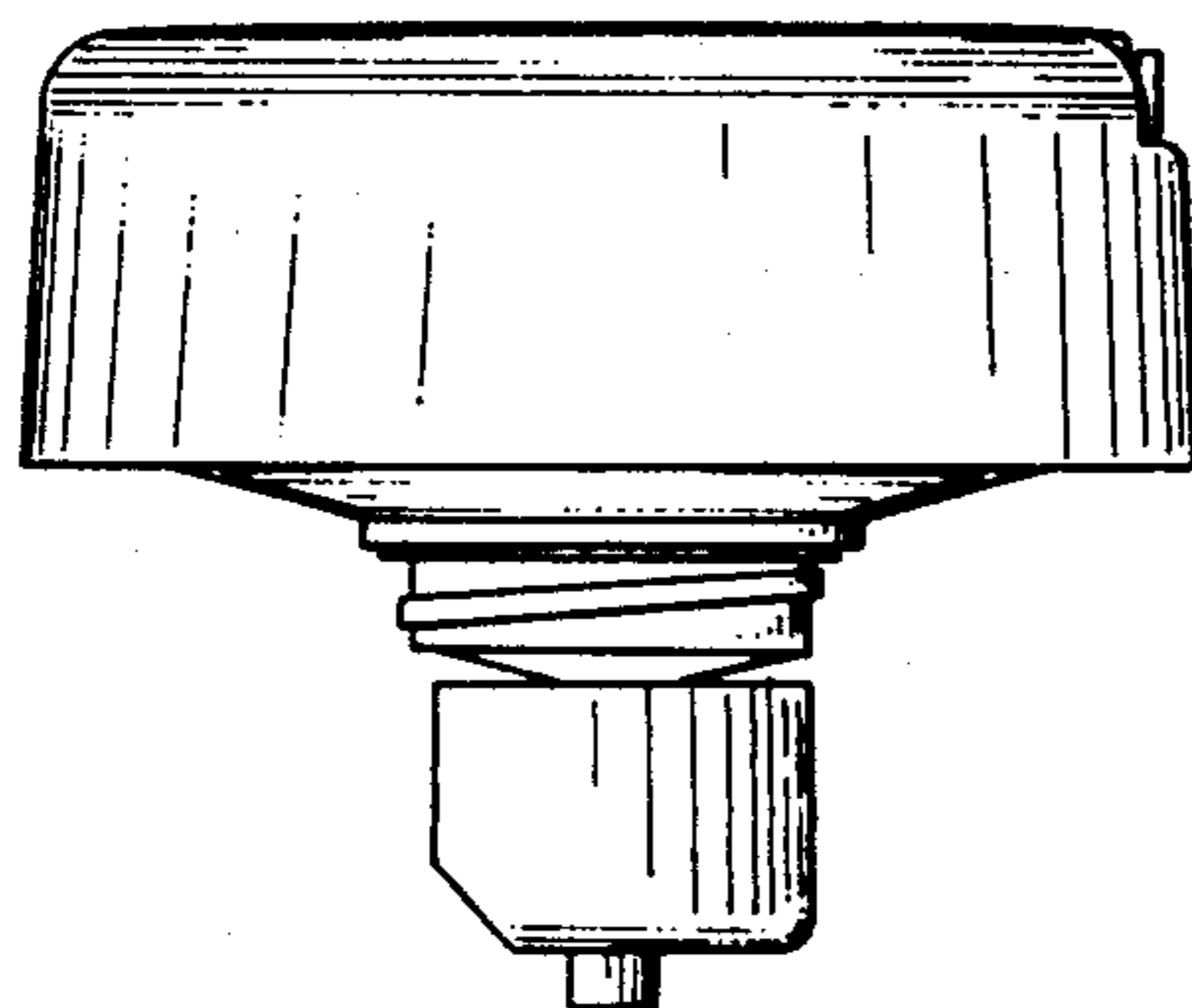


FIG.11

