

United States Patent [19]

Groman et al.

[11] Patent Number: **Des. 274,678**

[45] Date of Patent: **** Jul. 17, 1984**

[54] BENCH

[75] Inventors: **Stanton H. Groman, Beverly Hills;**
Robert K. Hisel, Ontario, both of
Calif.

[73] Assignee: **Bench Ad Company, Maywood,**
Calif.

[**] Term: **14 Years**

[21] Appl. No.: **334,936**

[22] Filed: **Dec. 28, 1981**

[52] U.S. Cl. **D6/370**

[58] Field of Search **D6/47-71**

[56] **References Cited**

U.S. PATENT DOCUMENTS

D. 44,562 8/1913 Haase D6/60

D. 112,182 11/1938 Schmitt D6/60
D. 167,811 9/1952 Schaefer D6/59
3,748,012 7/1973 Abelman D6/59 X

Primary Examiner—Bruce W. Dunkins
Attorney, Agent, or Firm—Fischer, Tachner & Strauss

[57] CLAIM

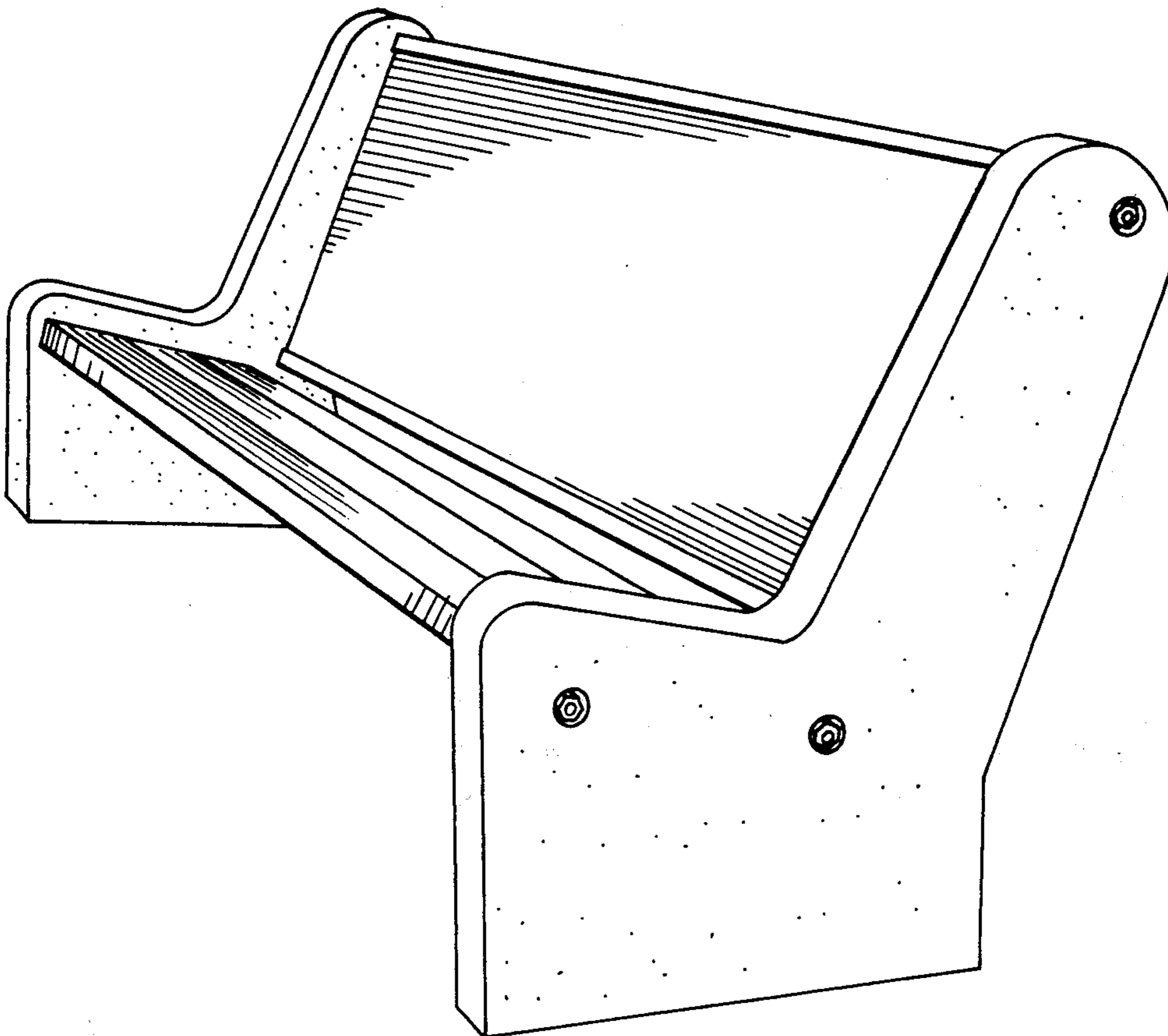
The ornamental design for a bench, as shown and described.

DESCRIPTION

FIG. 1 is a perspective view of a bench showing my new design therefor.

FIG. 2 is a side elevational view of the bench of FIG. 1; FIG. 3 is a front elevational view of the bench of FIG. 1 drawn to a reduced scale.

The side of the bench not shown is a mirror image of the side shown in FIG. 2, while the undisclosed rear surface is conventionally flat and unornamented.



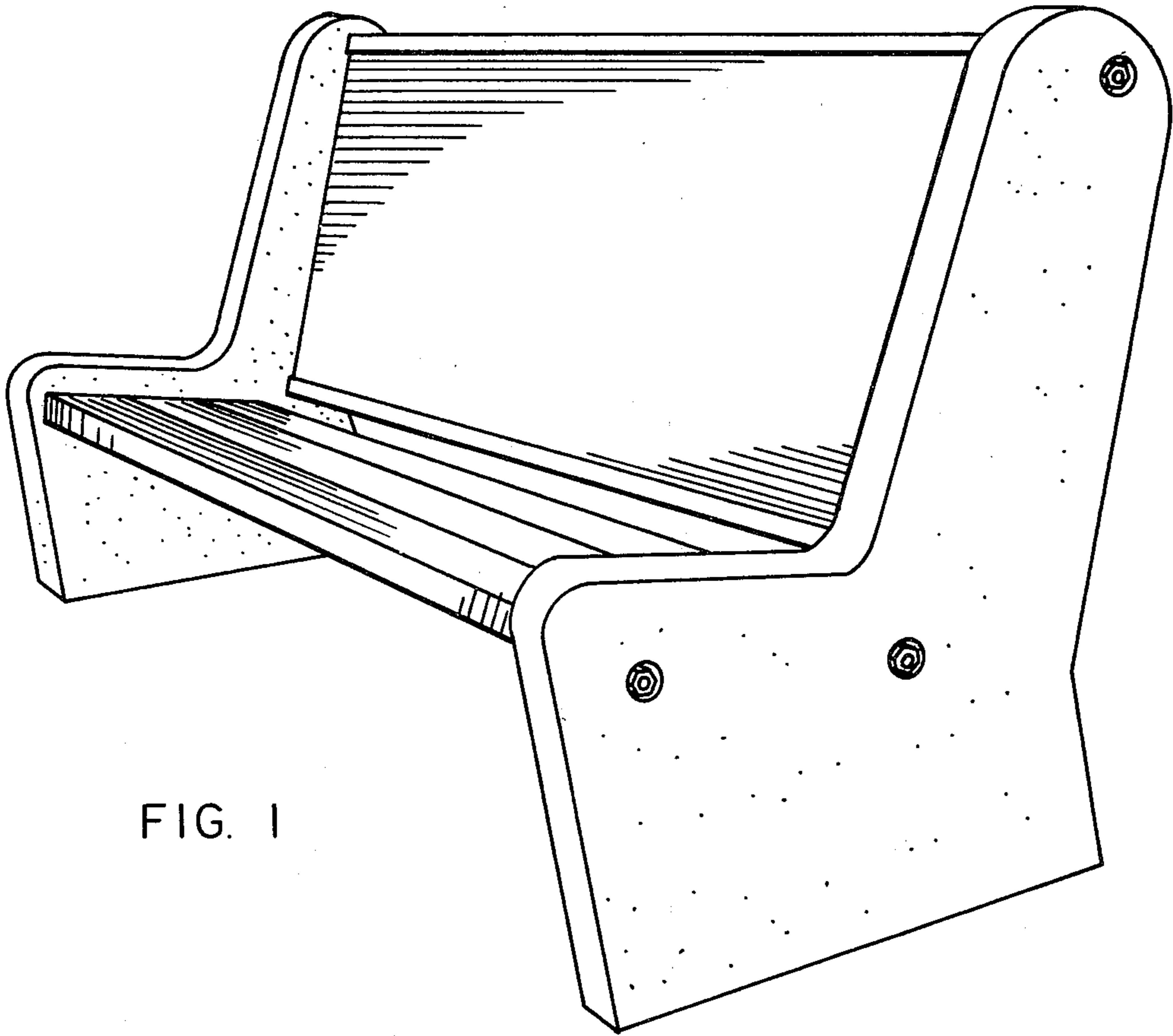


FIG. 1

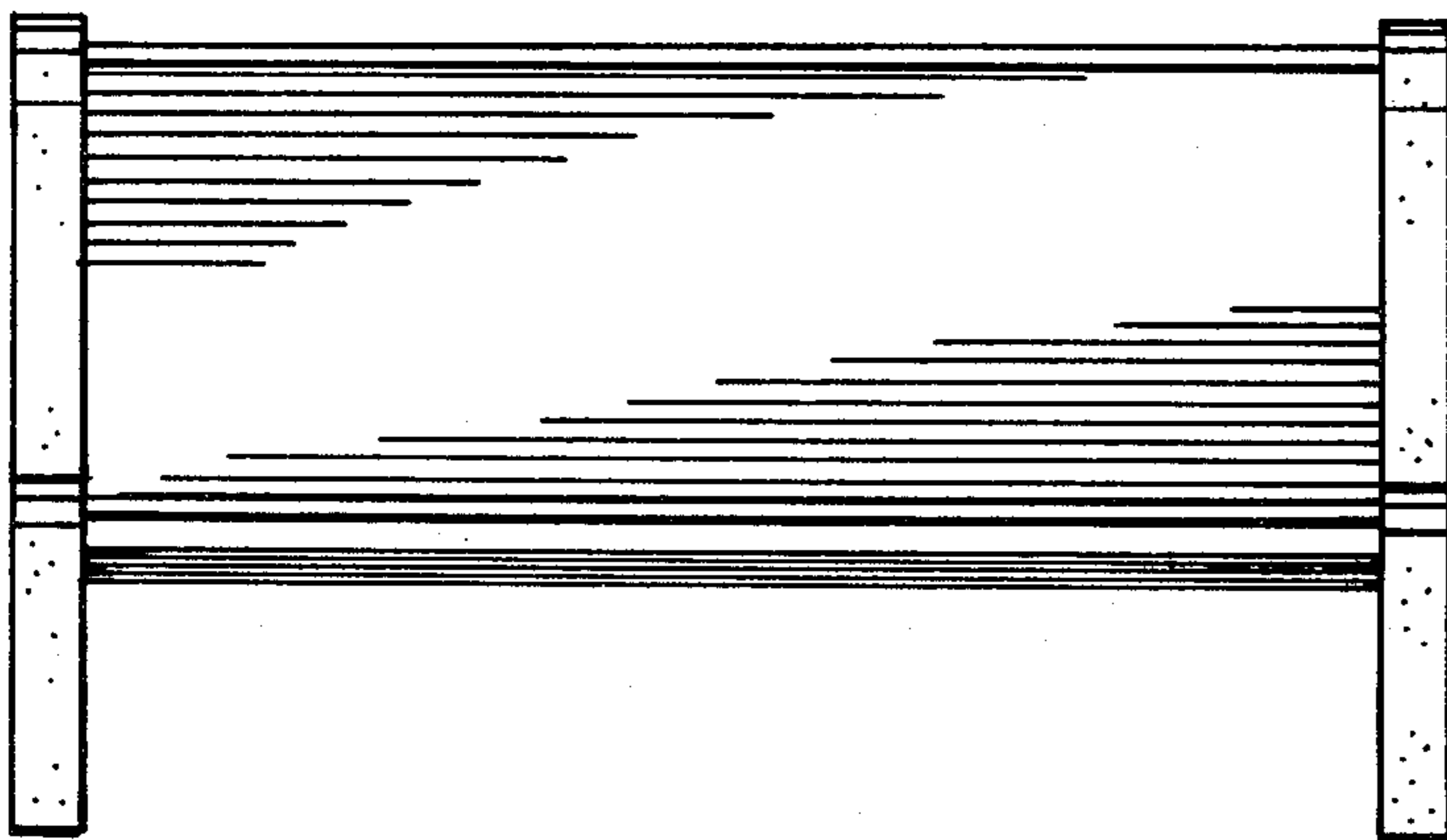


FIG. 3

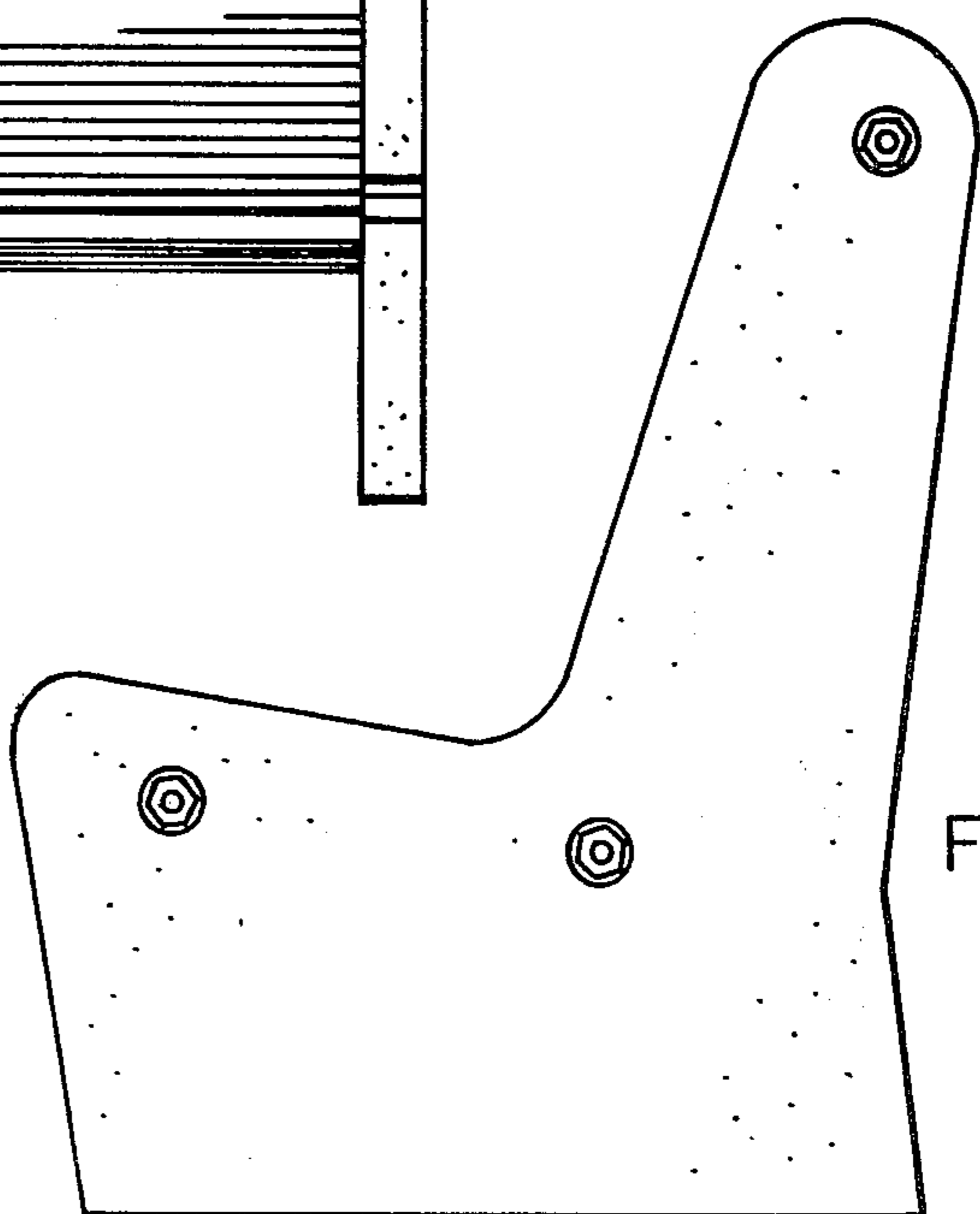


FIG. 2