

[54] **HYDRAULIC JACK**

3,685,797 8/1972 Orr ..... 254/93 R

[75] Inventor: **Donald Eliasson, Västerås, Sweden**

[73] Assignee: **Hyco Hydraulic AB, Sweden**

[\*\*] Term: **14 Years**

[21] Appl. No.: **352,163**

[22] Filed: **Feb. 23, 1982**

[30] **Foreign Application Priority Data**

Sep. 7, 1981 [SE] Sweden ..... 18-1932

[52] U.S. Cl. .... **D34/31**

[58] Field of Search ..... D34/31; 254/93 R, 93 H,  
254/93 HP

[56] **References Cited**

**U.S. PATENT DOCUMENTS**

1,513,217 10/1924 Bunker ..... 254/93 HP

**OTHER PUBLICATIONS**

Blackhawk Hydraulic Jacks Catalog, p. 4, BA-8.5 jack, top left side of page.

*Primary Examiner*—James M. Gandy  
*Attorney, Agent, or Firm*—Witherspoon & Hargest

[57] **CLAIM**

The ornamental design for a hydraulic jack, substantially as shown.

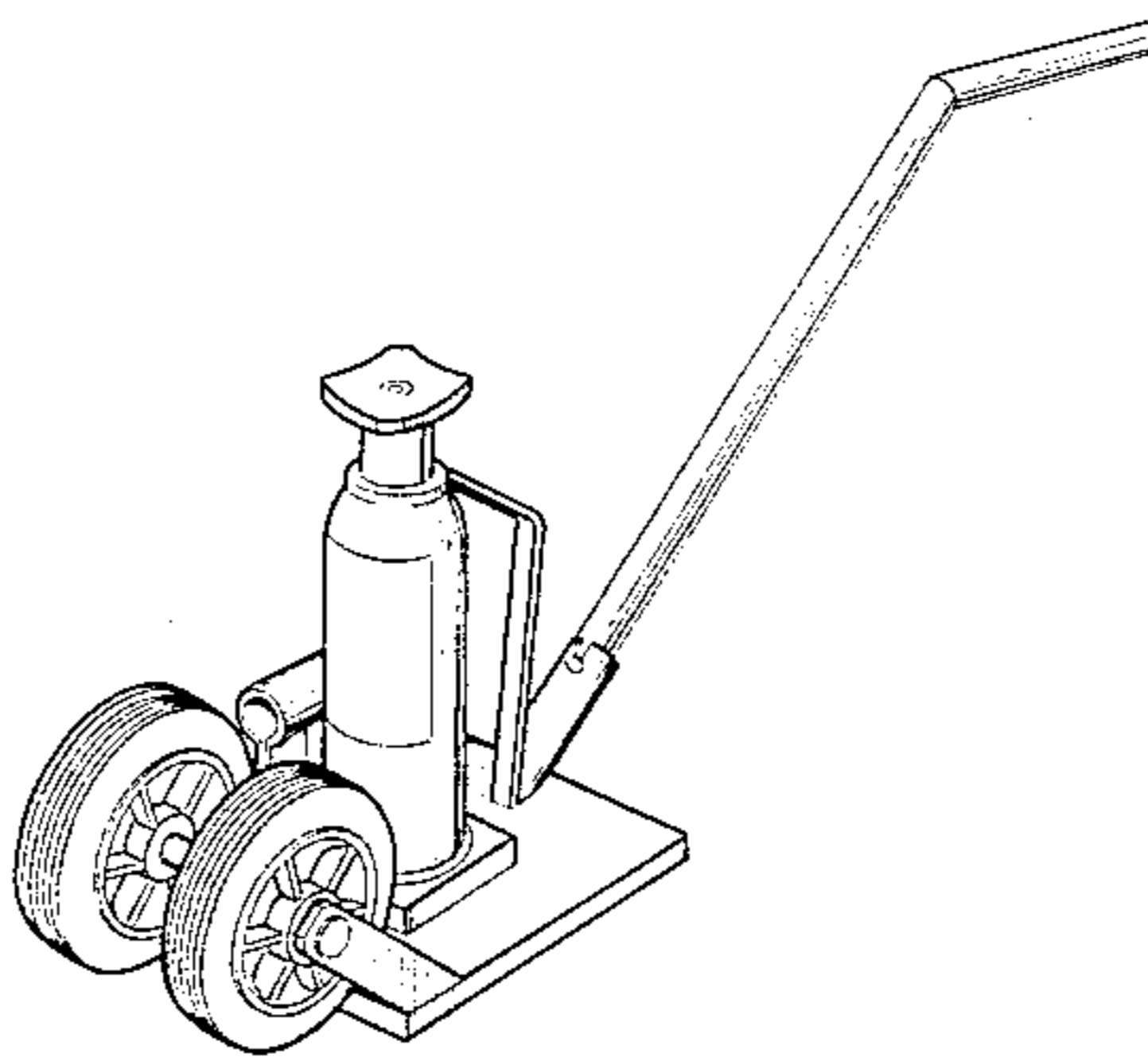
**DESCRIPTION**

FIG. 1 is a front perspective view of the hydraulic jack showing my new design;

FIG. 2 is a back perspective view thereof;

FIG. 3 is an enlarged front perspective view thereof with the handle removed for convenience of illustration; and

FIG. 4 is a back perspective view of FIG. 3.



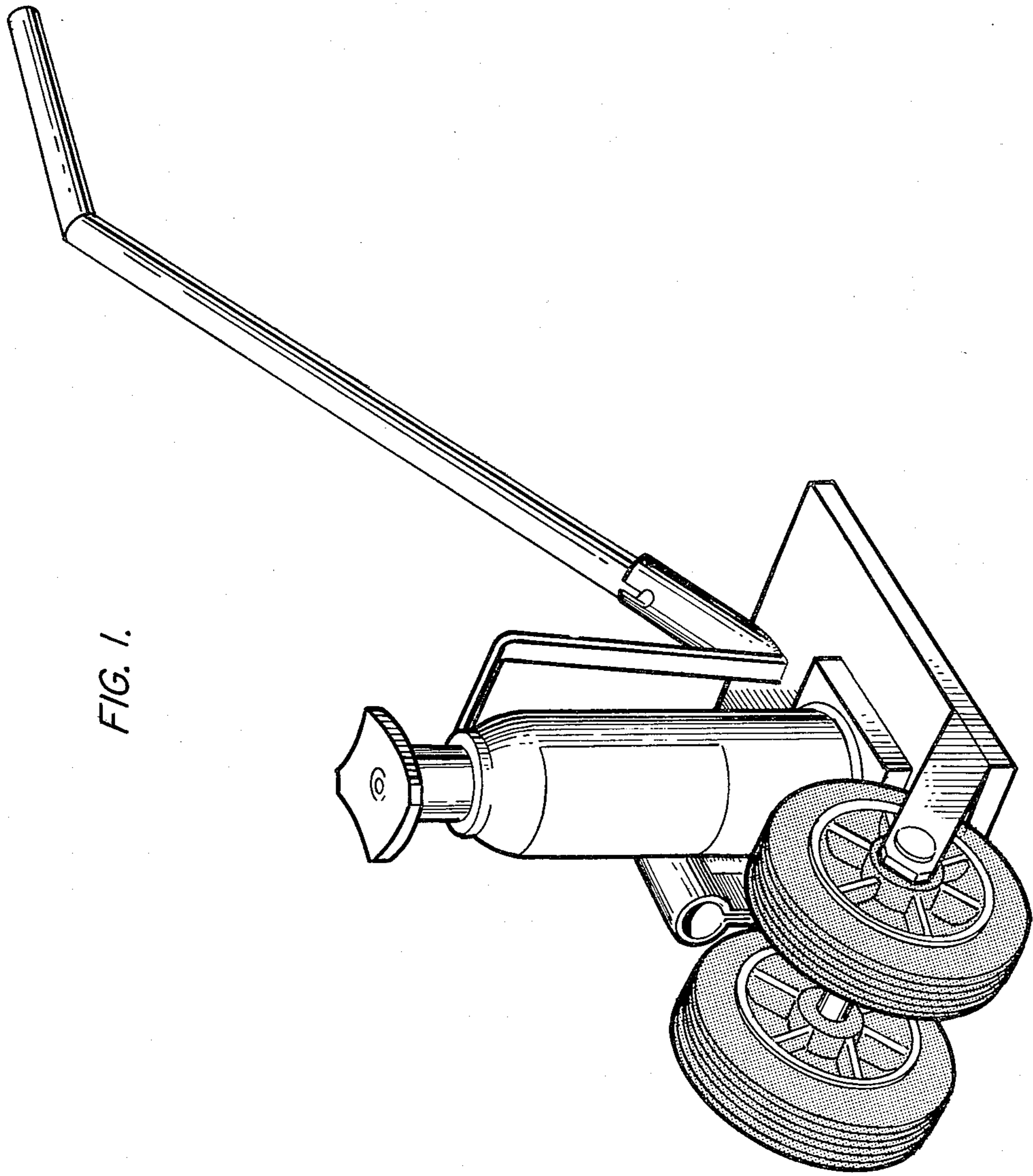


FIG. 1.

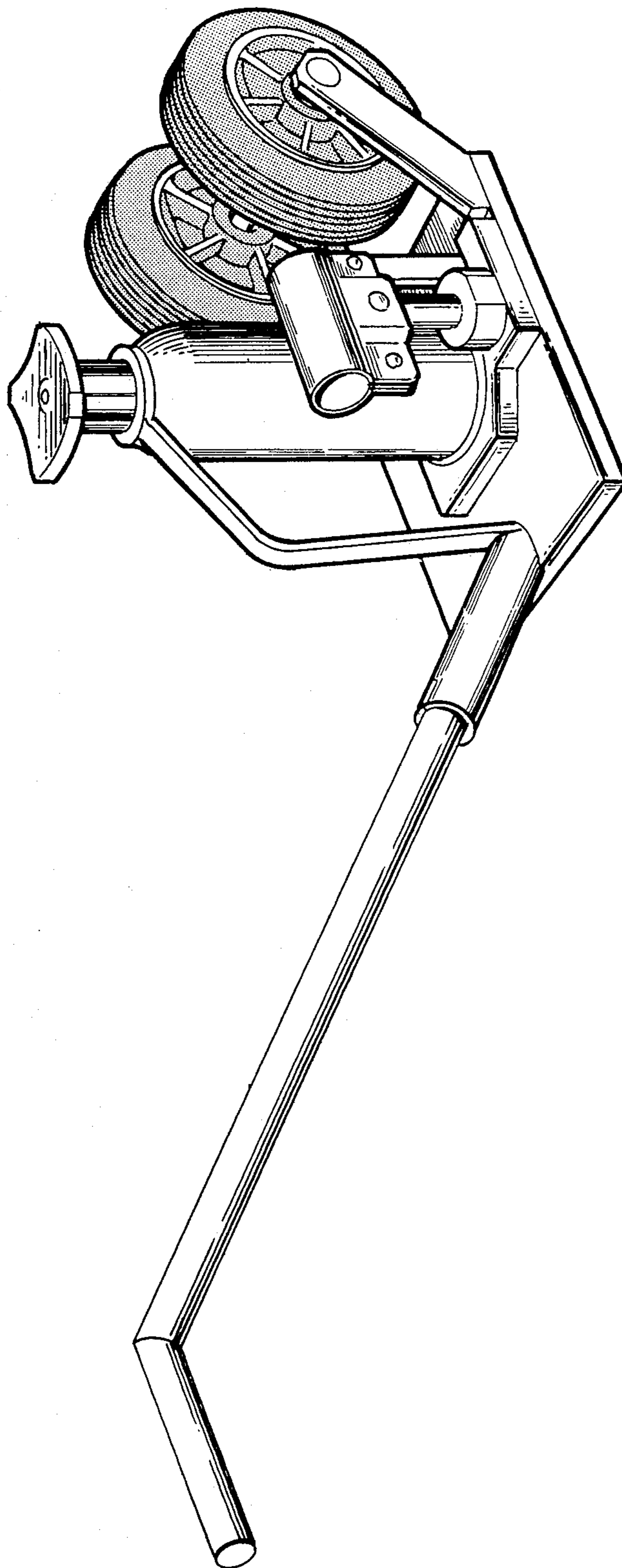


FIG. 2.

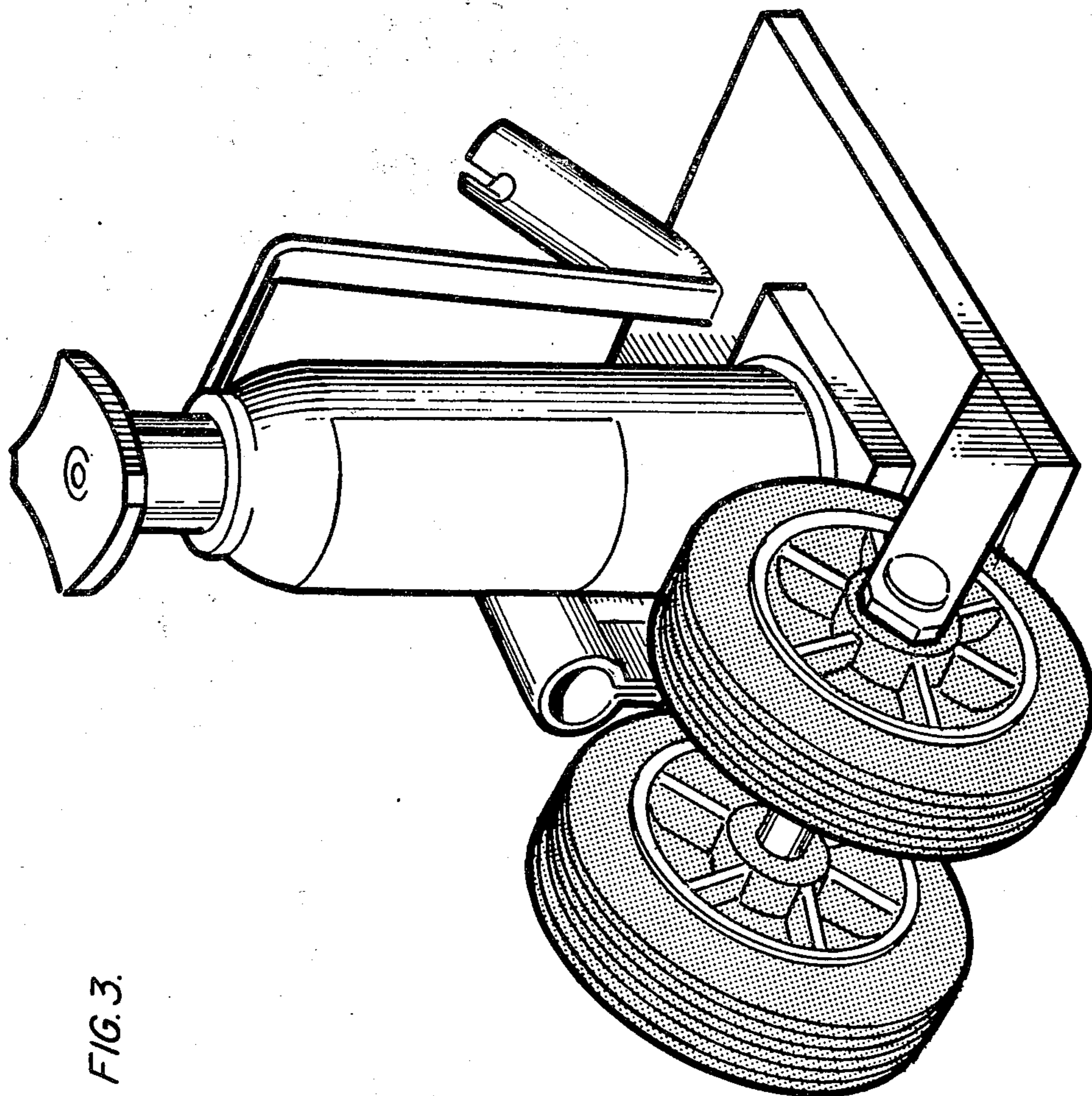


FIG. 3.

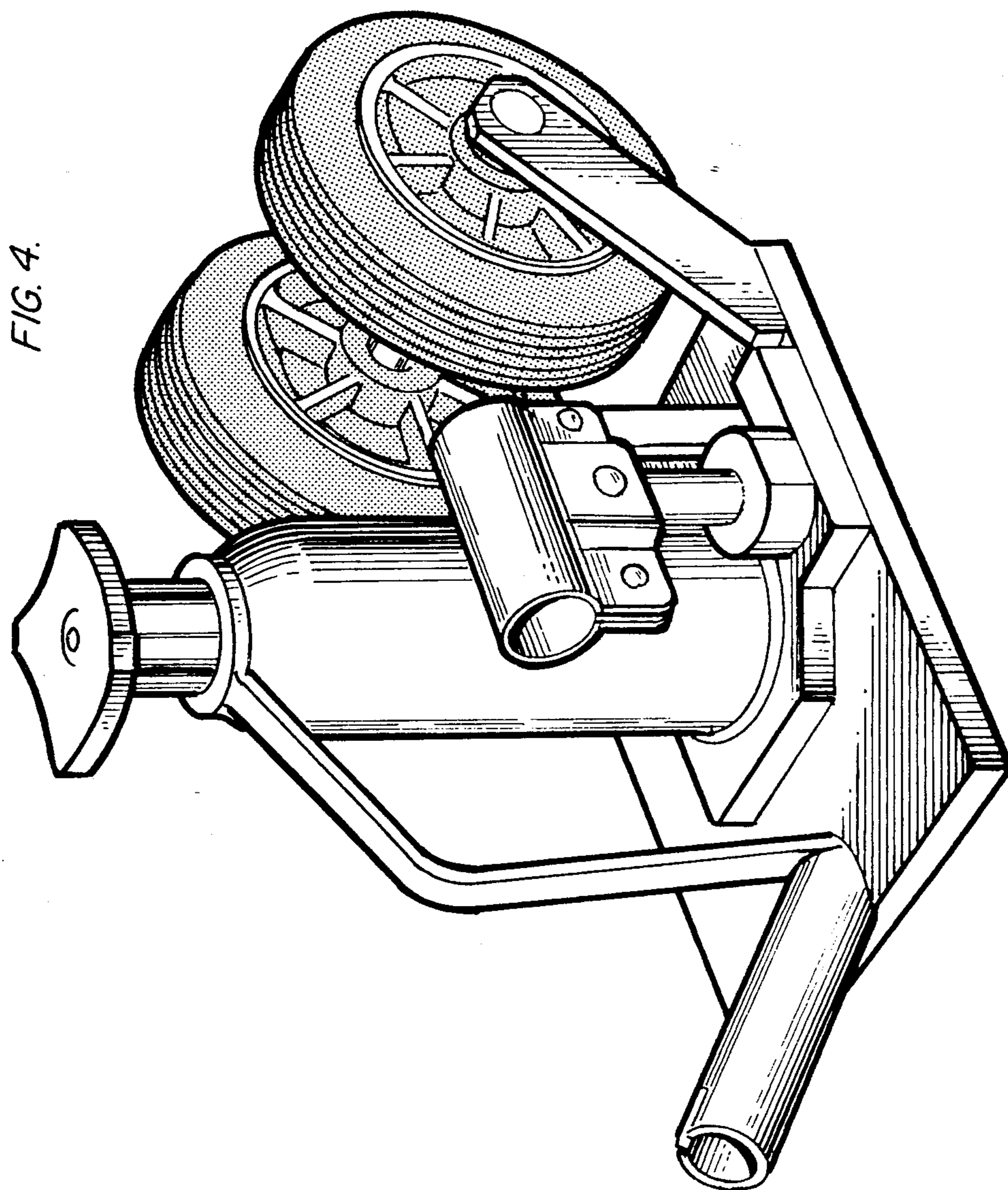


FIG. 4.