

United States Patent [19]
Thompson

[11] **Patent Number: Des. 274,667**
[45] **Date of Patent: ** Jul. 10, 1984**

[54] **GARBAGE BAG HANGER**

[76] **Inventor: George W. Thompson, 10 Burlington Crescent, Toronto, Ontario M6H 2L4, Canada**

[**] **Term: 14 Years**

[21] **Appl. No.: 443,278**

[22] **Filed: Nov. 22, 1982**

[52] **U.S. Cl. D34/6**

[58] **Field of Search D34/5, 6; D6/114; 248/99, 100, 101; 211/87, 13**

[56] **References Cited**

U.S. PATENT DOCUMENTS

D. 245,222 8/1977 Harding D34/6
1,307,439 6/1919 Farnsworth et al. 248/99
3,912,208 10/1975 Grenetier 248/99

4,196,880 4/1980 Hynes 248/99
4,316,353 2/1982 Suominen 248/100

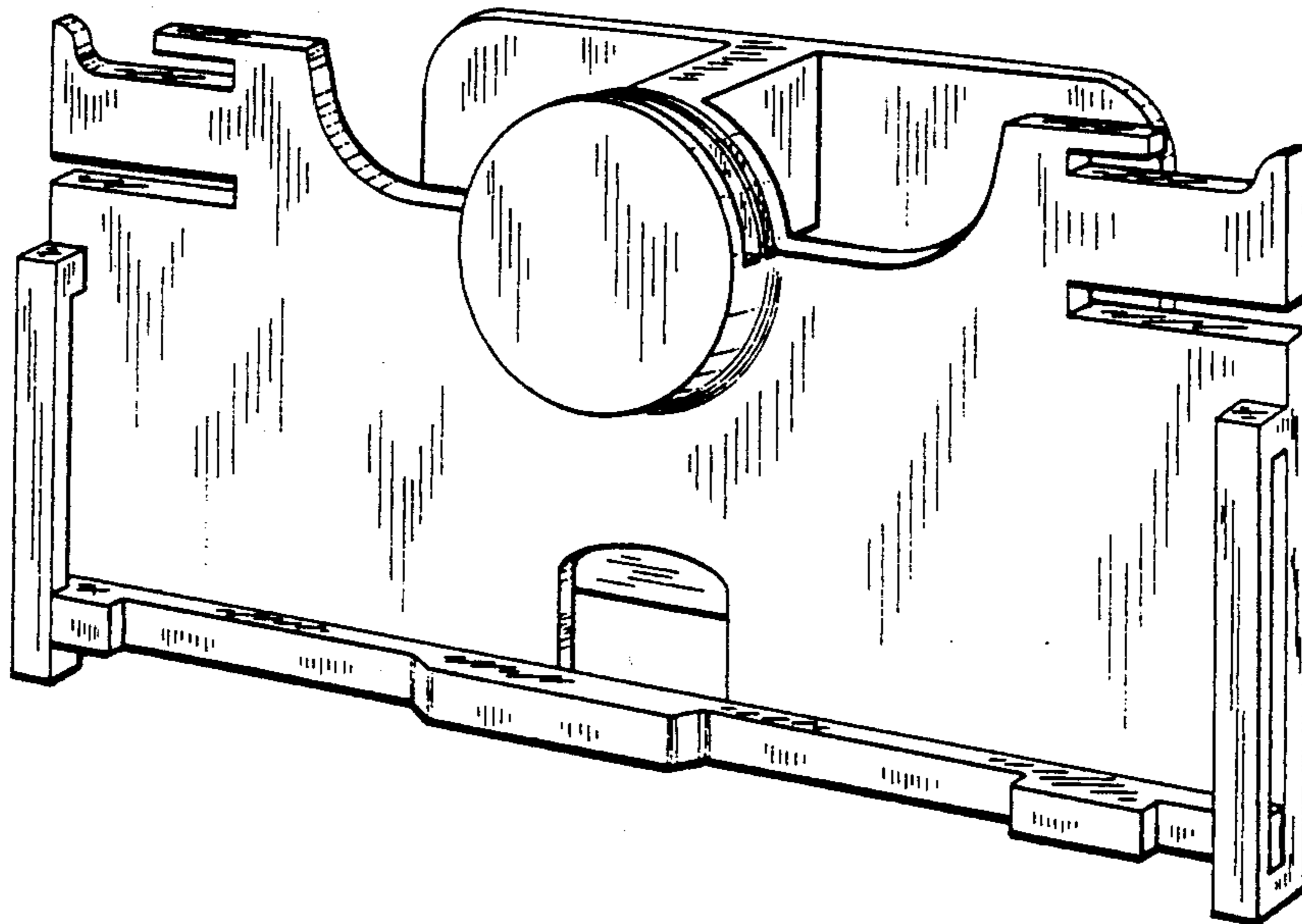
Primary Examiner—B. J. Bullock
Attorney, Agent, or Firm—Robert F. Delbridge; Arne I. Fors

[57] **CLAIM**

The ornamental design for a garbage bag hanger, as shown and described.

DESCRIPTION

FIG. 1 is a perspective view of a garbage bag hanger showing my new design, FIG. 2 is a front view, FIG. 3 is a rear view, FIG. 4 is a top view, FIG. 5 is a bottom view, and FIG. 6 is a lefthand side view, the righthand side view being a mirror image thereof.



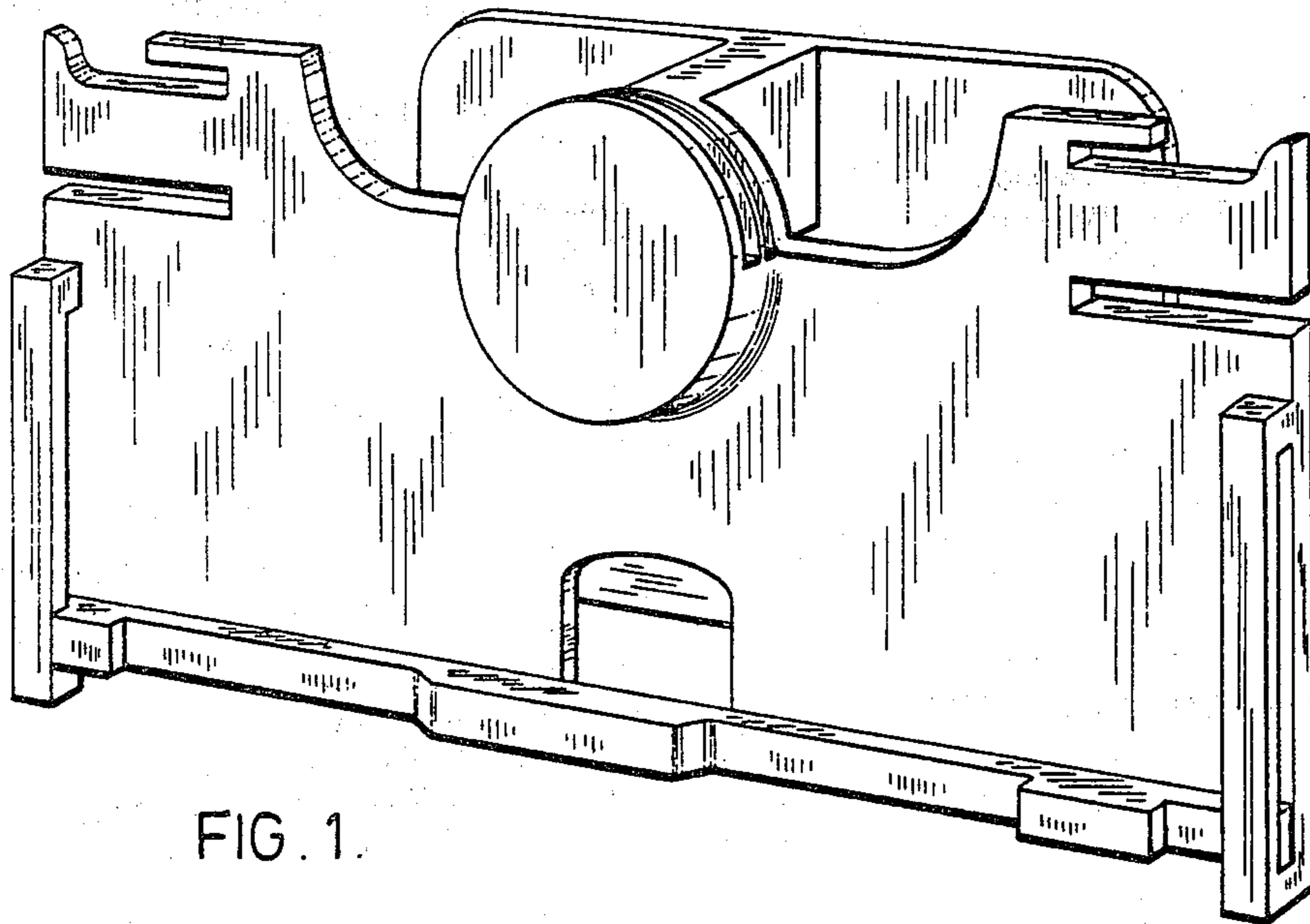


FIG. 1.

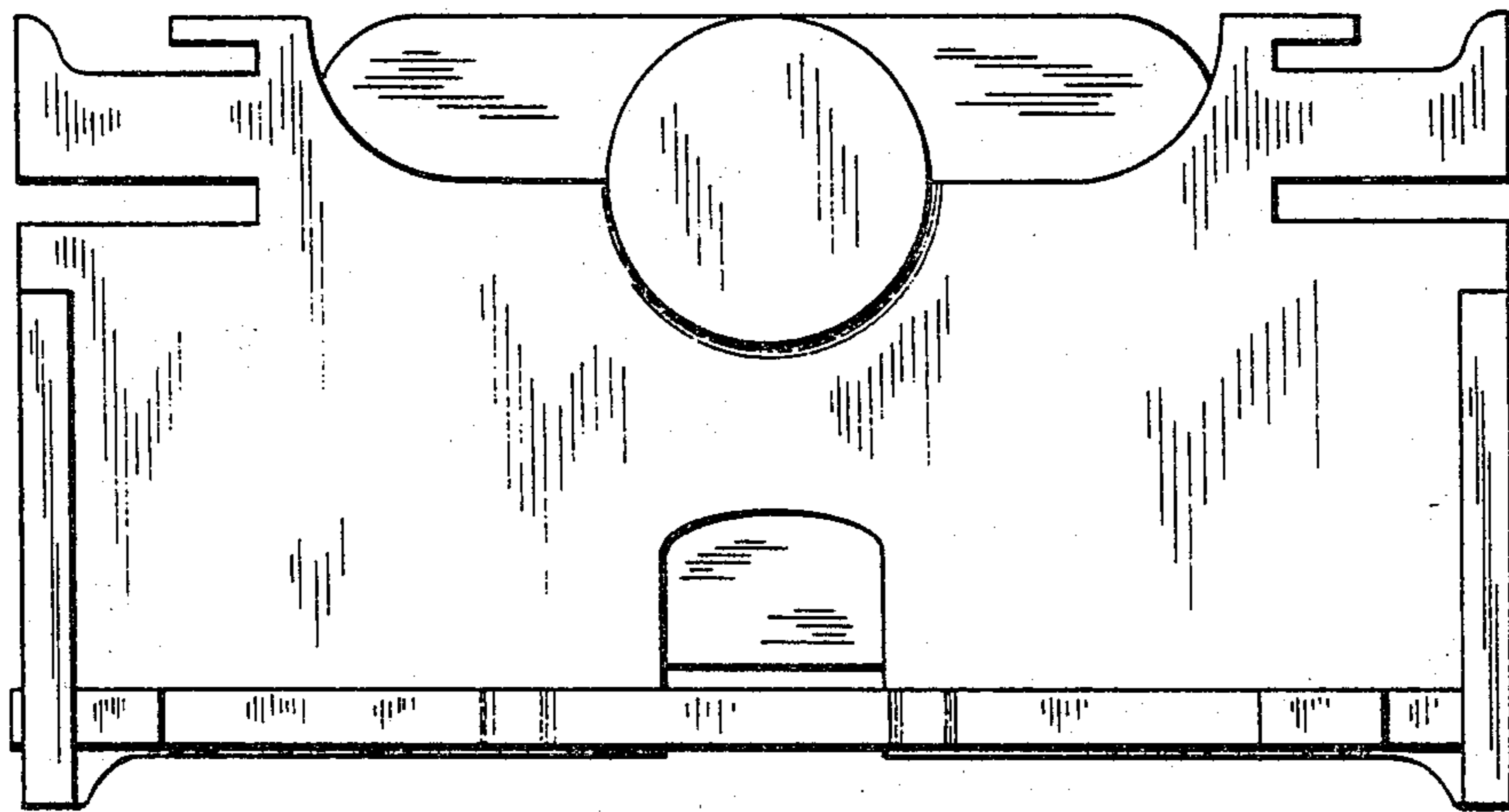


FIG. 2.

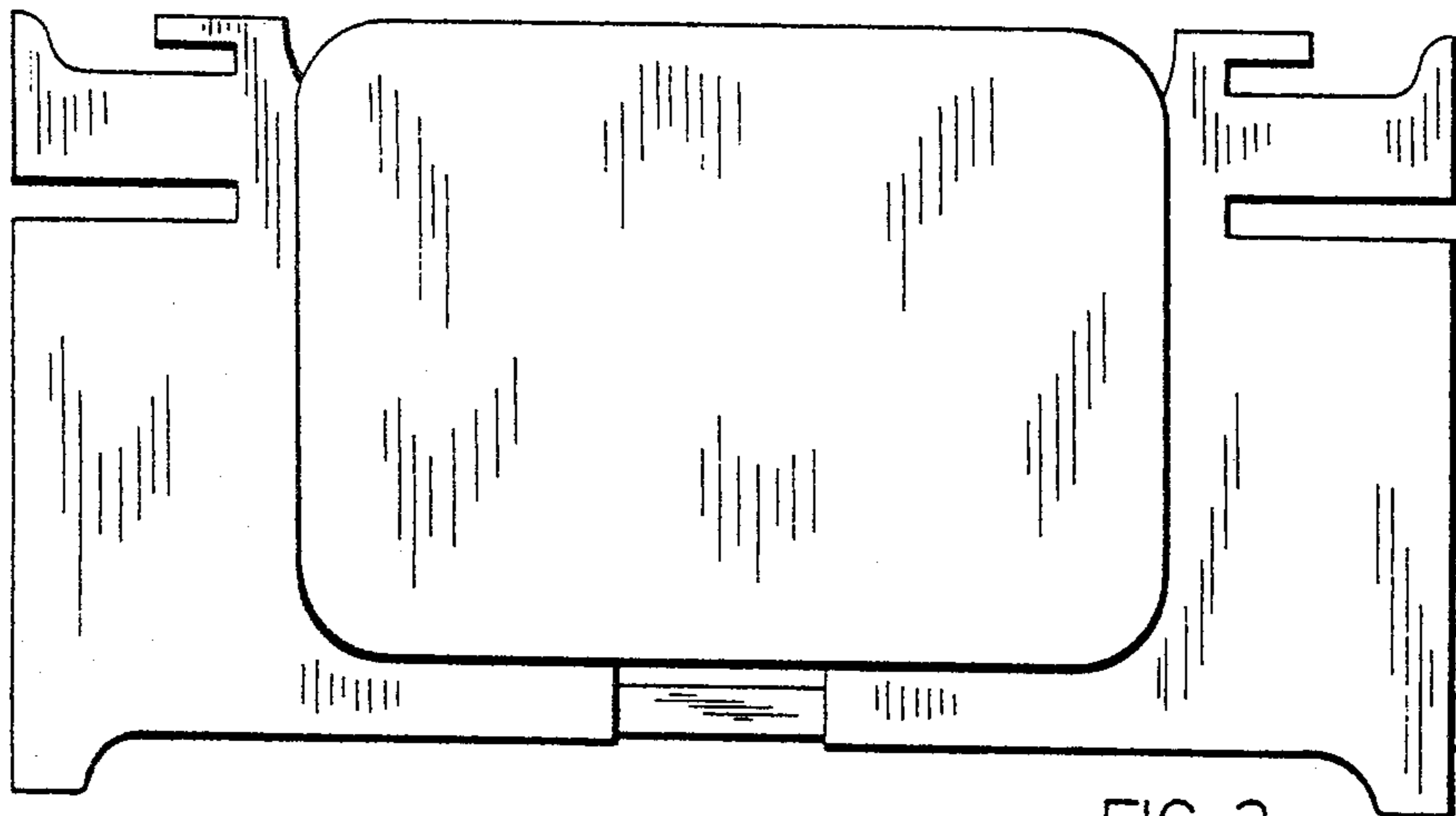


FIG. 3.

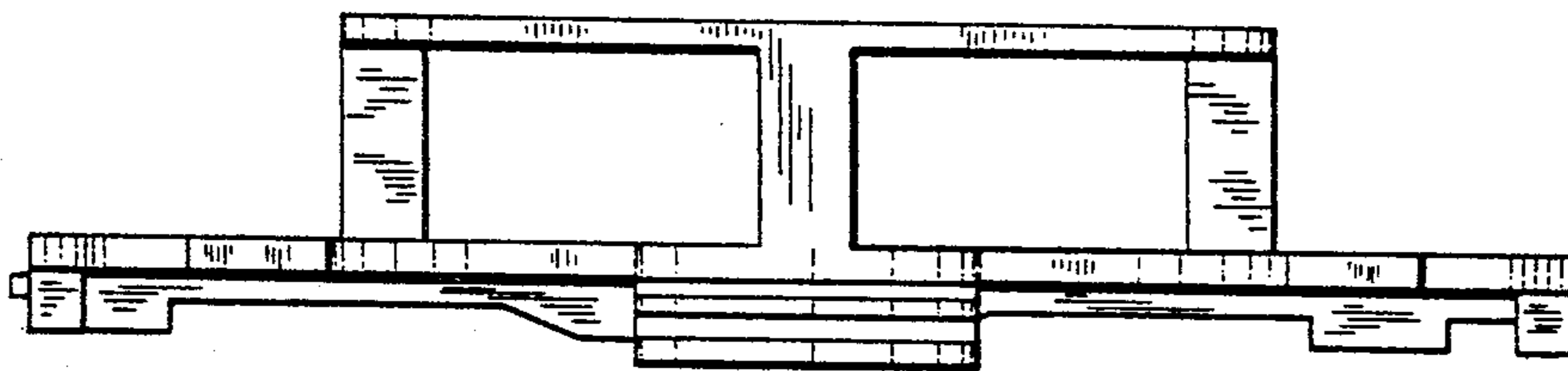


FIG. 4.

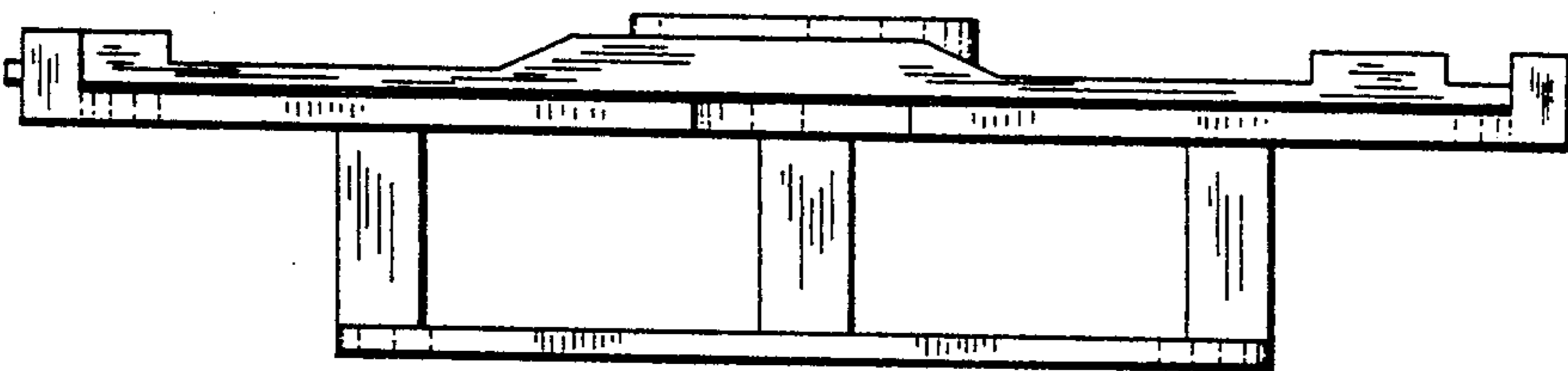


FIG. 5.

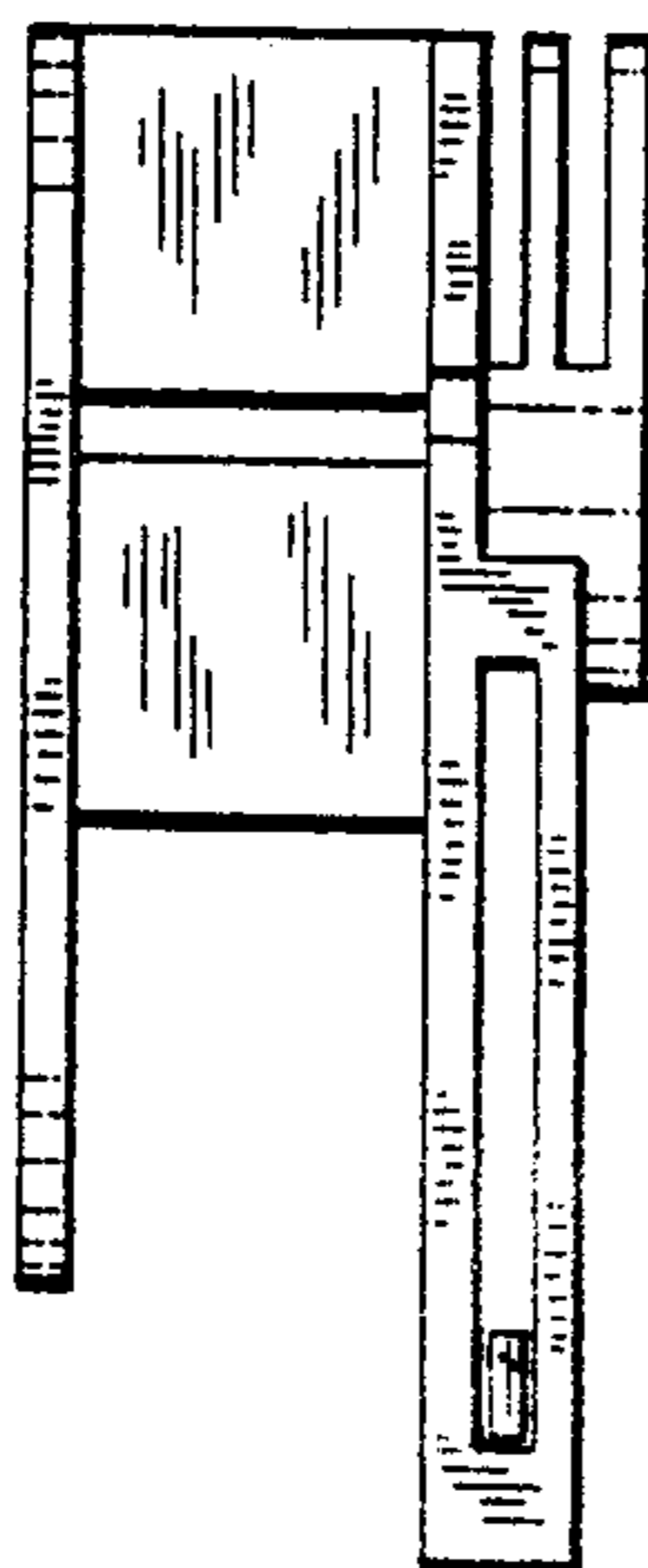


FIG. 6.