

United States Patent [19]
Williams

[11] **Patent Number: Des. 274,660**

[45] **Date of Patent: ** Jul. 10, 1984**

[54] **TABLE FOR PET FOOD DISHES**

[76] **Inventor: Julius B. Williams, 1424 Belmont Ave., Toledo, Ohio 43607**

[**] **Term: 14 Years**

[21] **Appl. No.: 387,551**

[22] **Filed: Jun. 11, 1982**

[52] **U.S. Cl. D30/13; D6/430; D6/483**

[58] **Field of Search D30/13-18, D30/41, 99; 119/54 R, 51.5, 52 R, 61; D6/138, 177**

[56] **References Cited**

U.S. PATENT DOCUMENTS

D. 67,394	5/1925	Cornwell	D6/138
D. 89,262	2/1933	Nunimaker	D30/16
D. 192,525	4/1962	Campbell	D6/138
D. 232,849	9/1974	Wilson	D30/41
D. 241,255	8/1976	D'Angelo	D30/13

2,659,345	11/1953	Herbert	119/61 X
2,841,114	7/1958	Grant	119/61 X
2,845,896	8/1958	Copeland	119/61 X

OTHER PUBLICATIONS

Popular Science Monthly, Dec. 1937, p. 85, top item.

Primary Examiner—James R. Largen
Attorney, Agent, or Firm—George R. Royer

[57] **CLAIM**

The ornamental design for a table for pet food dishes, as shown in the accompanying drawing.

DESCRIPTION

FIG. 1 is a perspective view taken from the top, front and right side of a table for pet food dishes showing my new design;

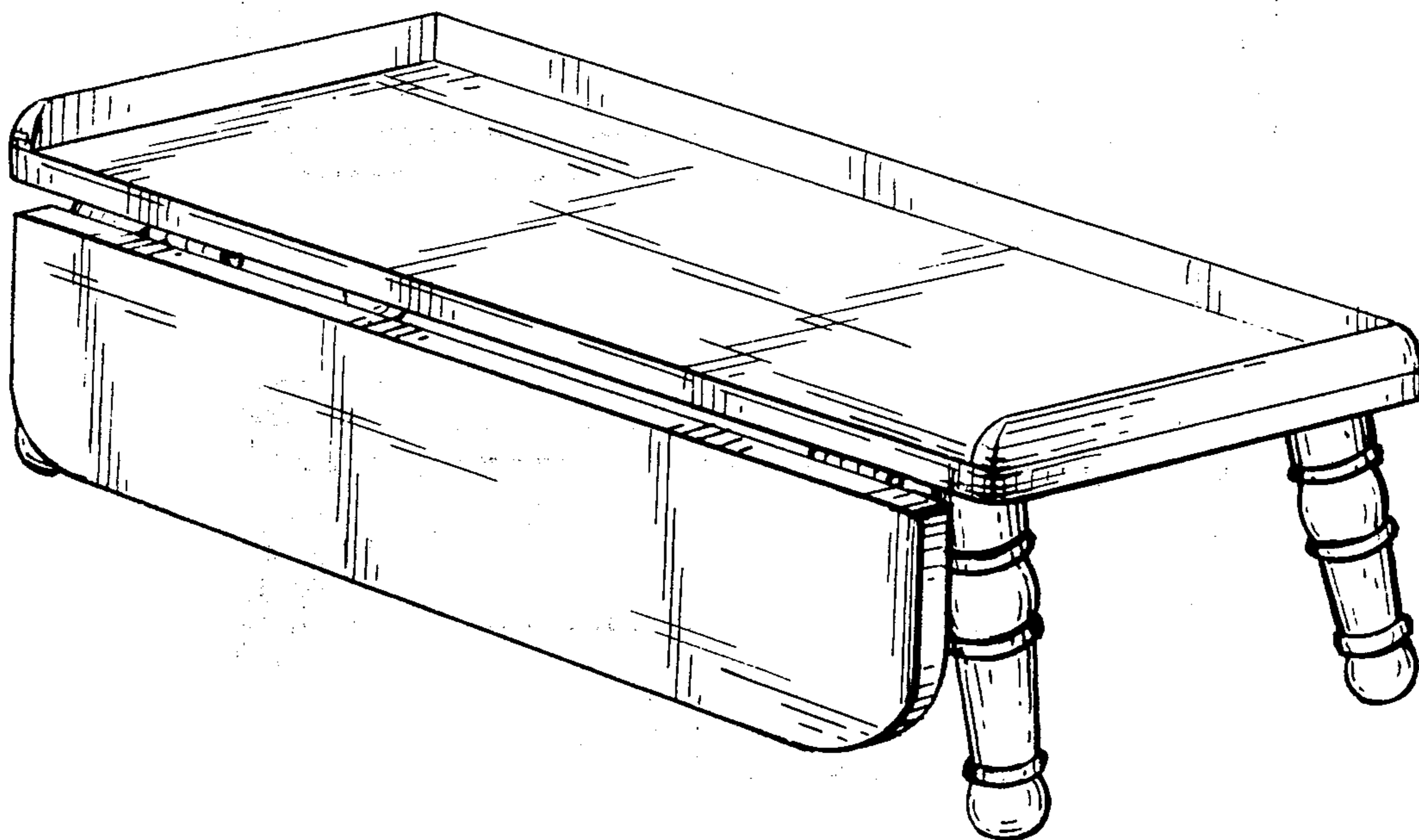
FIG. 2 is a top plan view thereof;

FIG. 3 is a front elevational view thereof;

FIG. 4 is a left side elevational view thereof;

FIG. 5 is a rear elevational view thereof; and

FIG. 6 is a bottom plan view thereof.



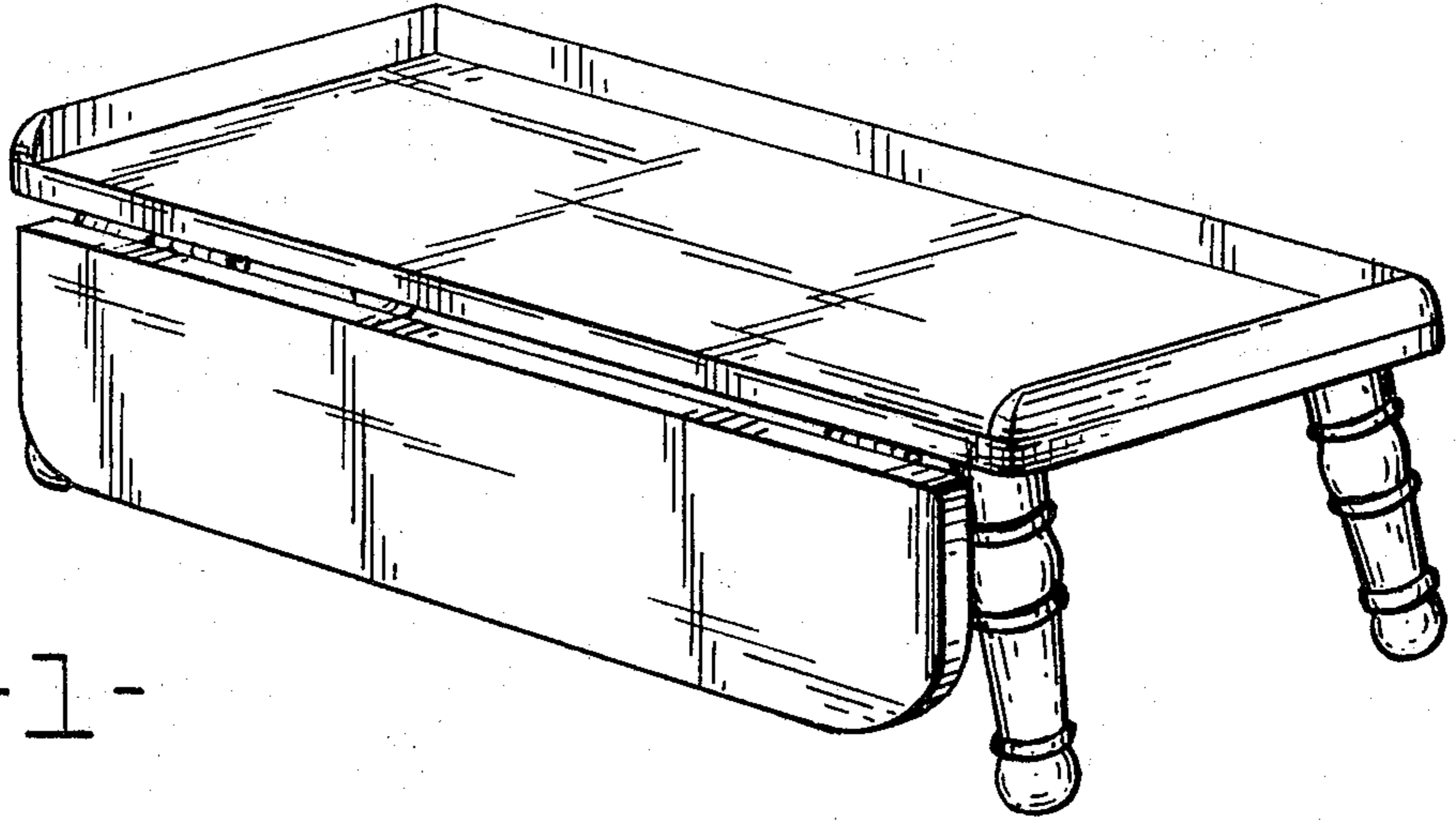


FIG-1-

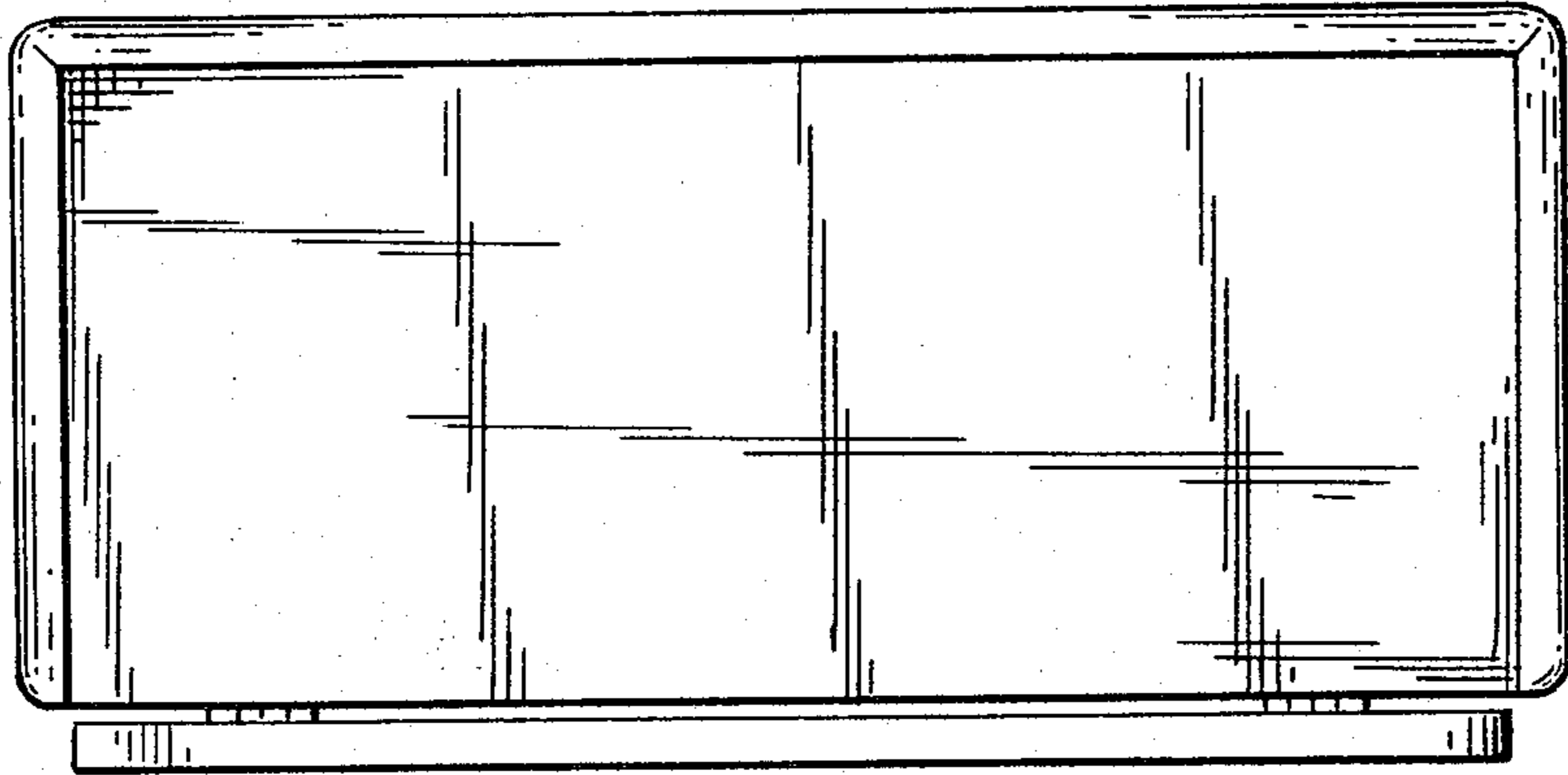


FIG-2-

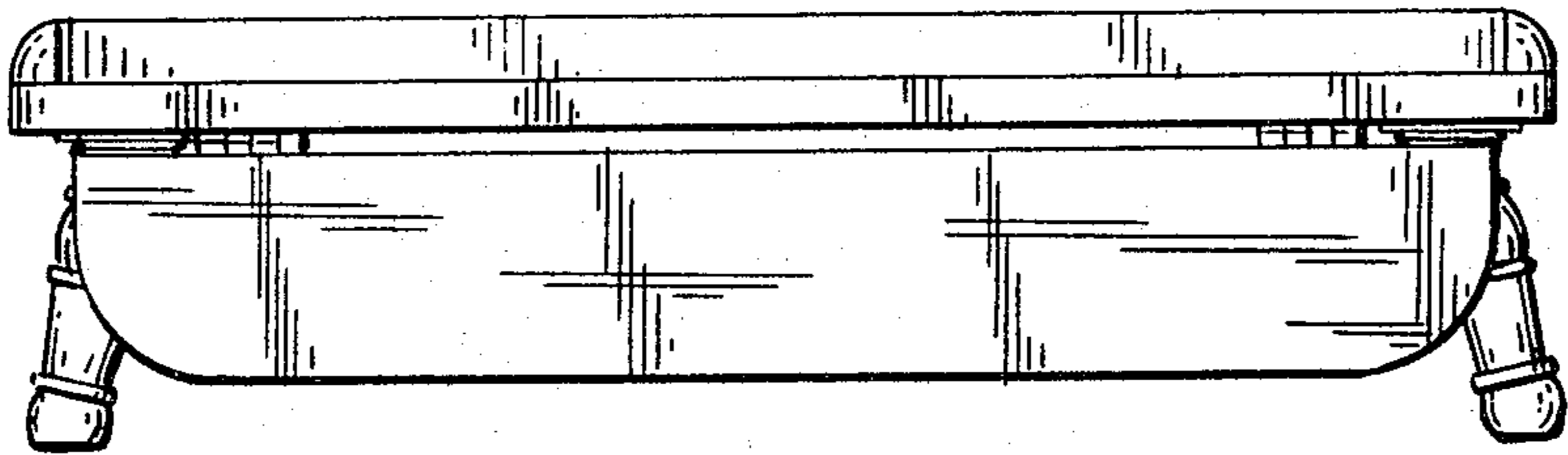


FIG-3 -

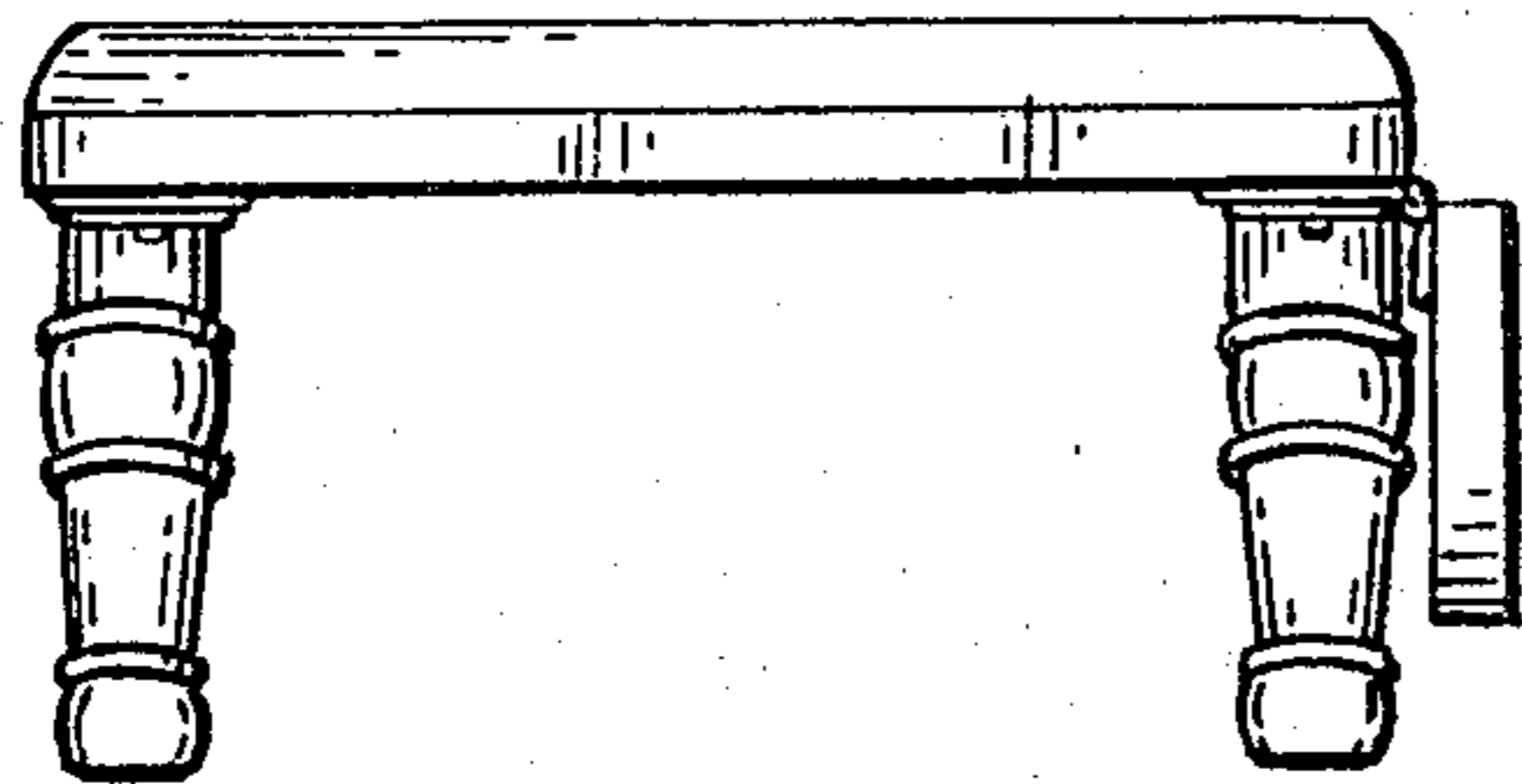


FIG-4-

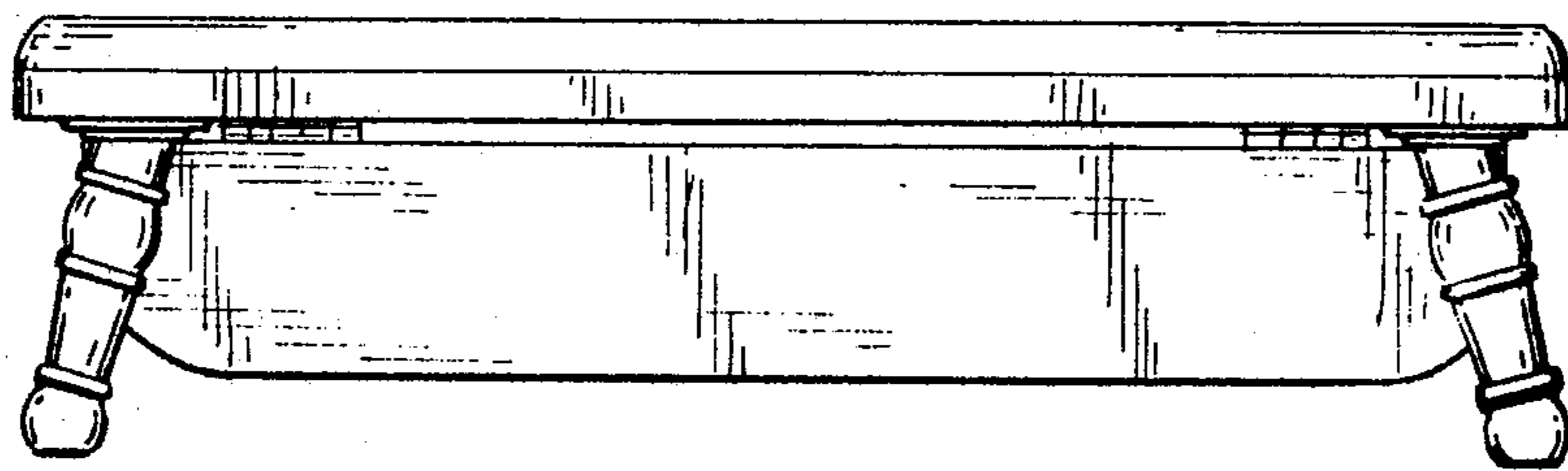


FIG-5 -

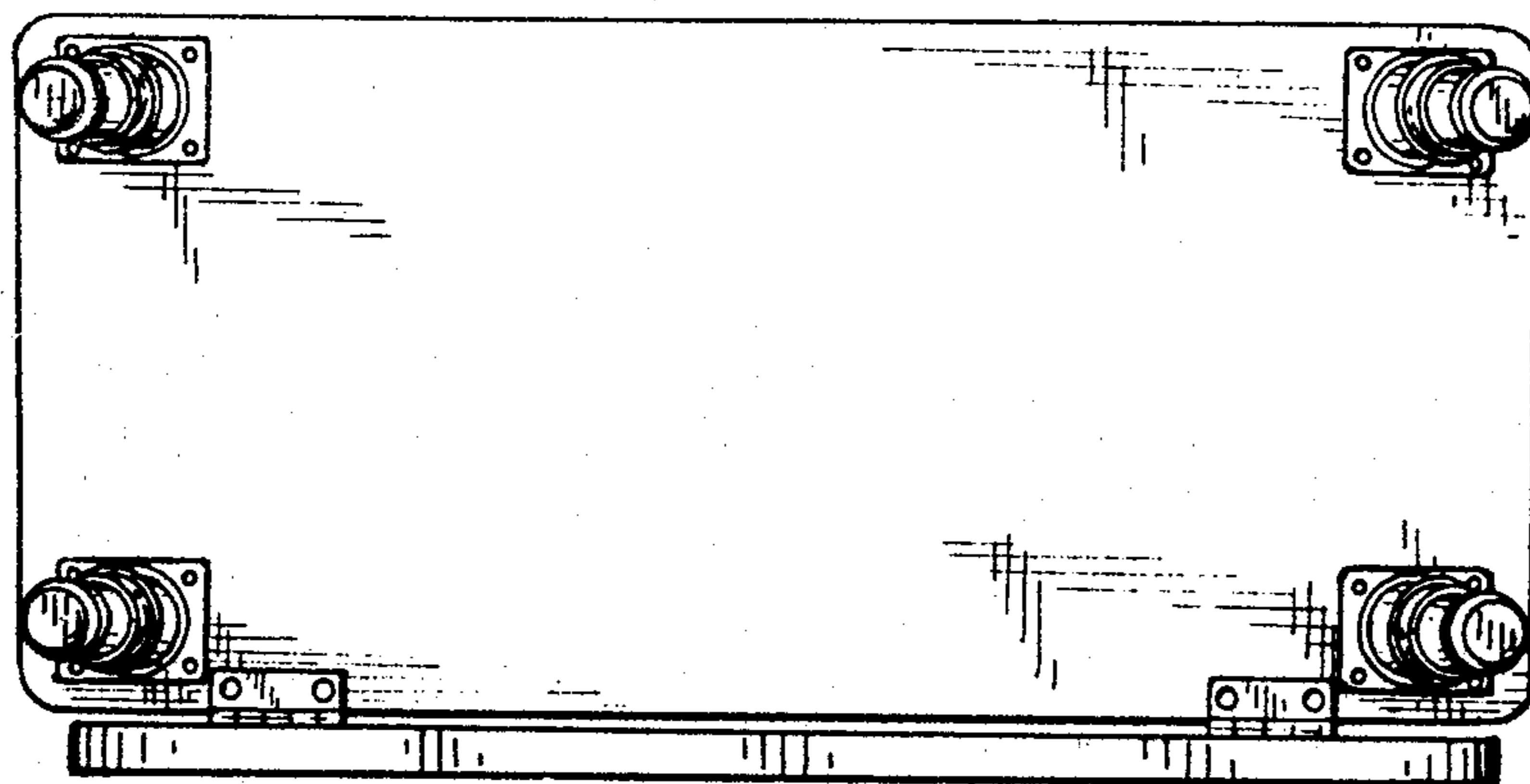


FIG-6 -