

United States Patent [19]

Vandenberg et al.

[11] Patent Number: **Des. 274,659**

[45] Date of Patent: **** Jul. 10, 1984**

[54] **MILKING PARLOR STANCHION MODULE**

[76] Inventors: **August Vandenberg; Ben W. Vandenberg**, both of 17226 Roseton Ave., Artesia, Calif. 90701; **Andrew W. Vandenberg**, 15751 Ryon St.; **Ben E. Haws**, 8828 Laurel St., both of Bellflower, Calif. 90706

[**] Term: **14 Years**

[21] Appl. No.: **369,032**

[22] Filed: **Apr. 16, 1982**

[52] U.S. Cl. **D30/2**

[58] Field of Search **D30/1, 2, 99; 119/14.03, 27**

[56] **References Cited**

U.S. PATENT DOCUMENTS

D. 90,482 8/1933 Ferris D30/2
D. 137,590 4/1944 Babson et al. D30/2

D. 178,270 7/1956 Babson D30/2
3,448,725 6/1969 Holm et al. 119/27
3,805,742 4/1974 Shulick et al. 119/27
4,171,684 10/1979 Herr et al. 119/27
4,194,467 3/1980 Nielsen et al. 119/14.03
4,198,927 4/1980 Guiavarch 119/27
4,362,127 12/1982 Nielsen et al. 119/27 X

Primary Examiner—James R. Largen

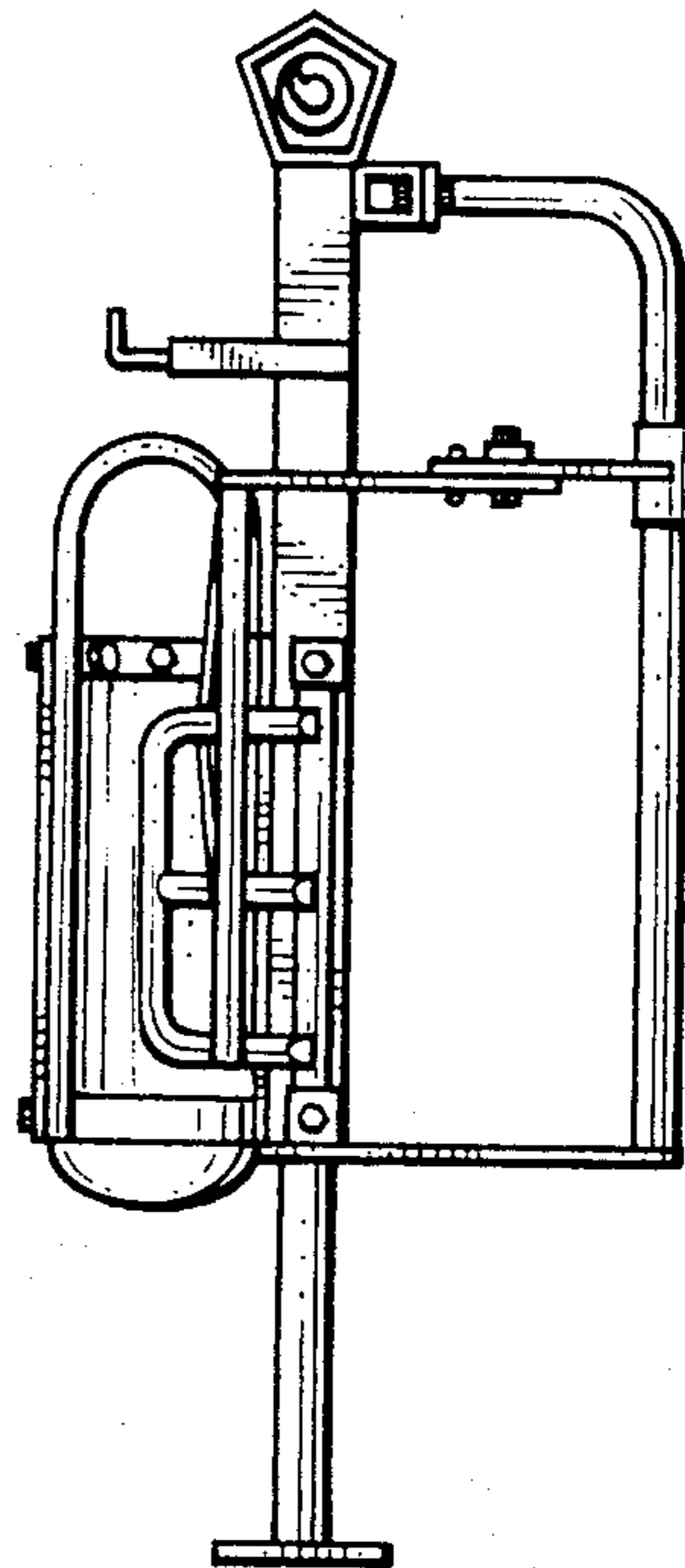
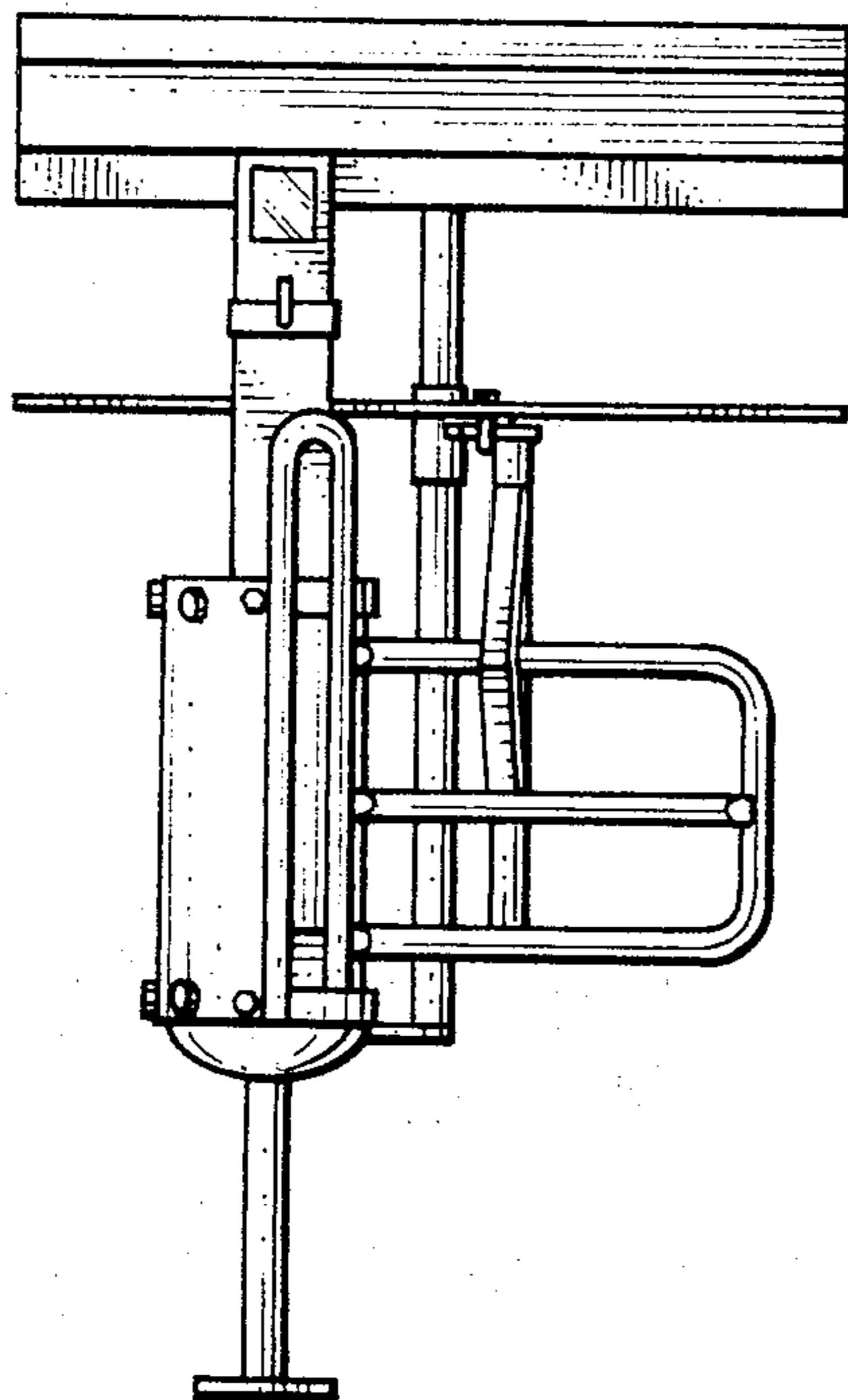
Attorney, Agent, or Firm—Cislo, O'Reilly & Thomas

[57] **CLAIM**

The ornamental design for a milking parlor stanchion module, as shown and described.

DESCRIPTION

FIG. 1 is a front elevational view of our milking parlor stanchion module showing our new design; FIG. 2 is a right side elevational view thereof; FIG. 3 is a left side elevational view thereof; FIG. 4 is a rear elevational view thereof; FIG. 5 is a top plan view thereof; and FIG. 6 is a bottom plan view thereof.



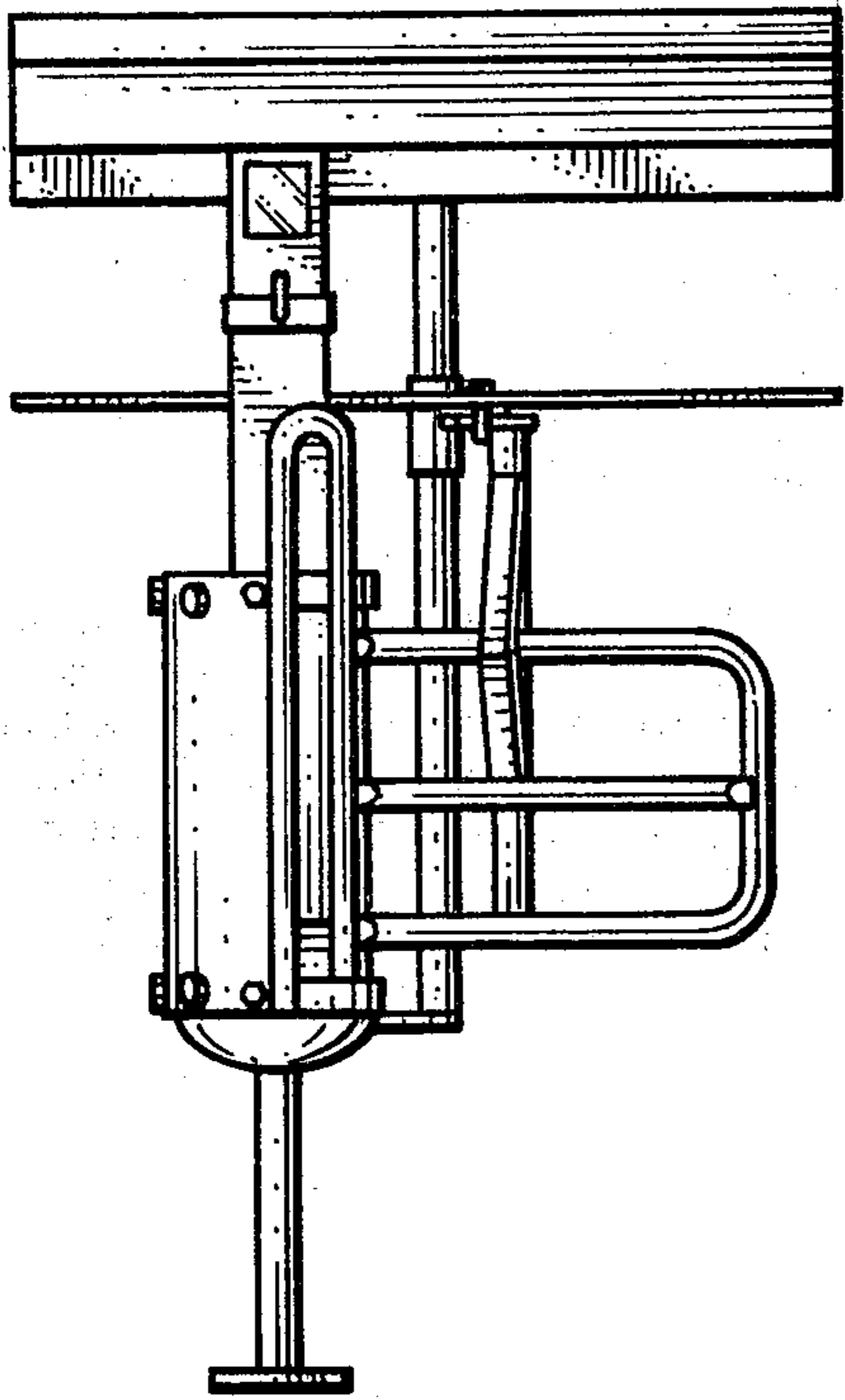


Fig. 1.

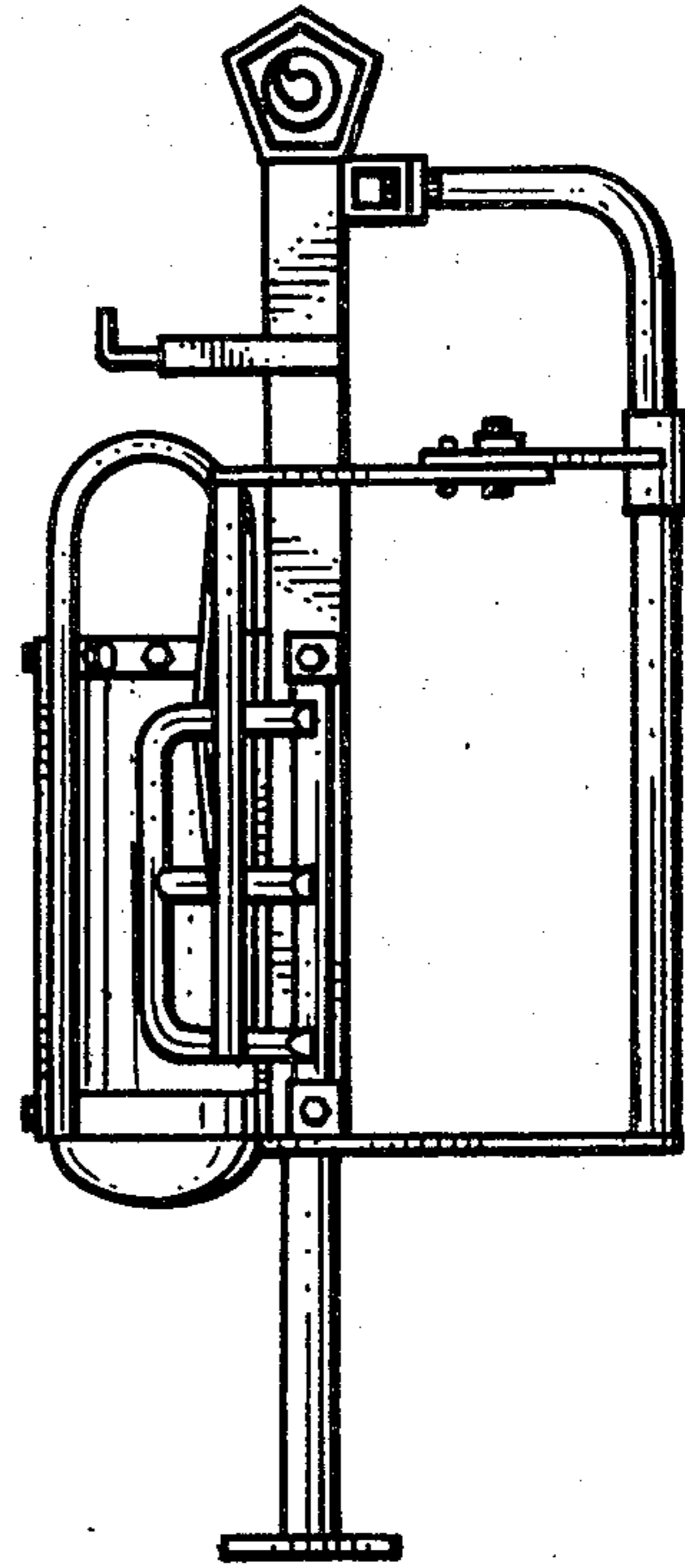


Fig. 2.

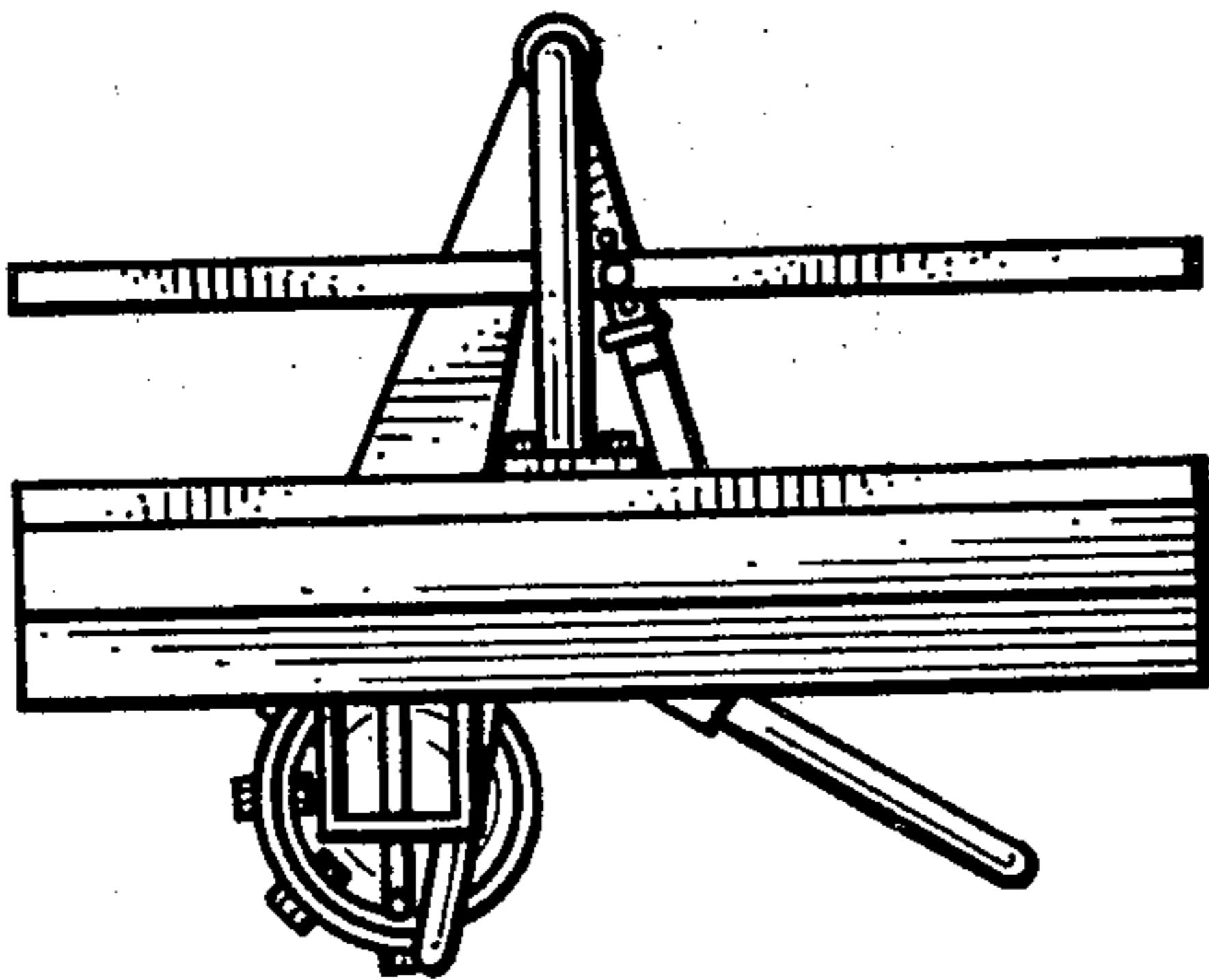


Fig. 5.

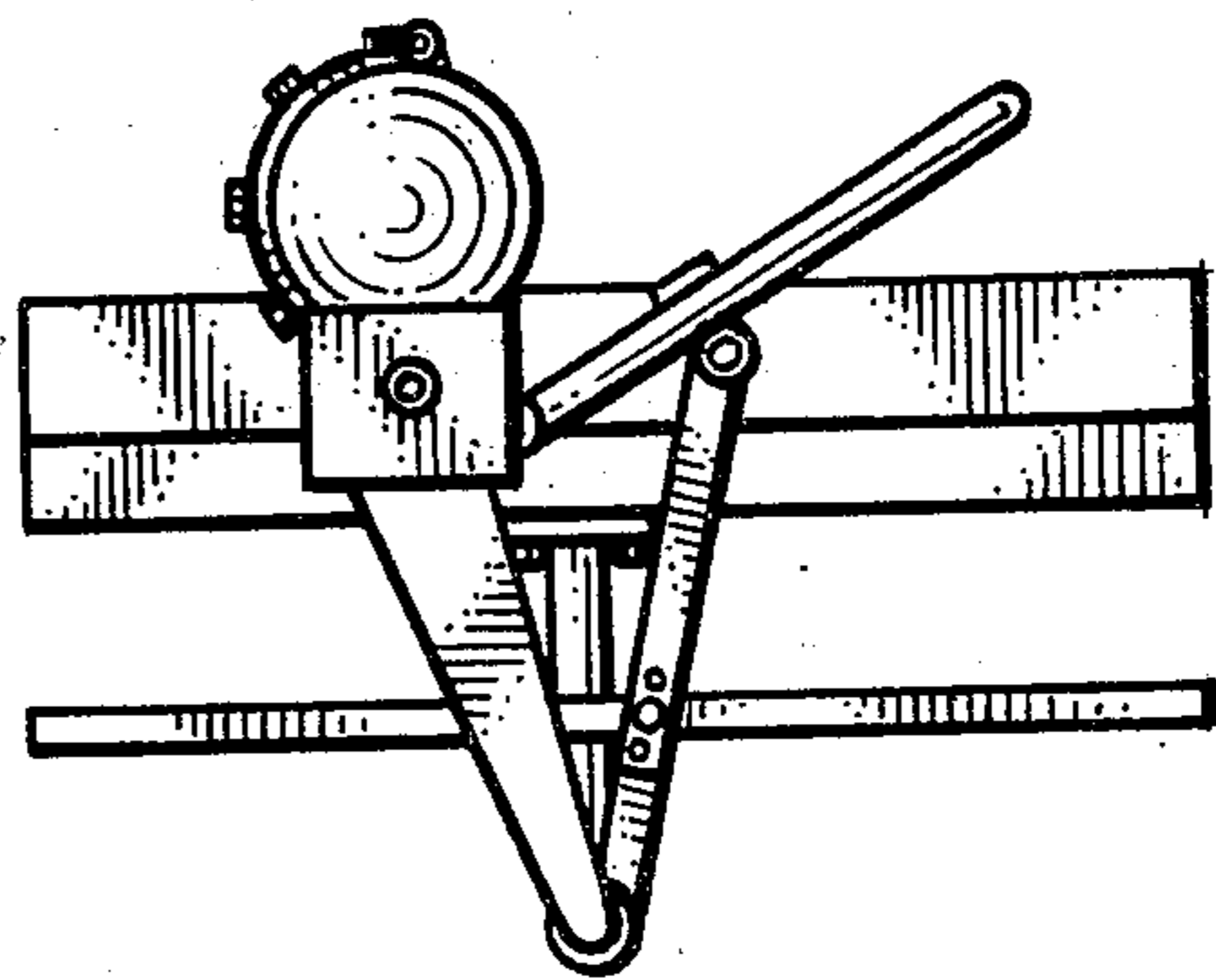


Fig. 6.

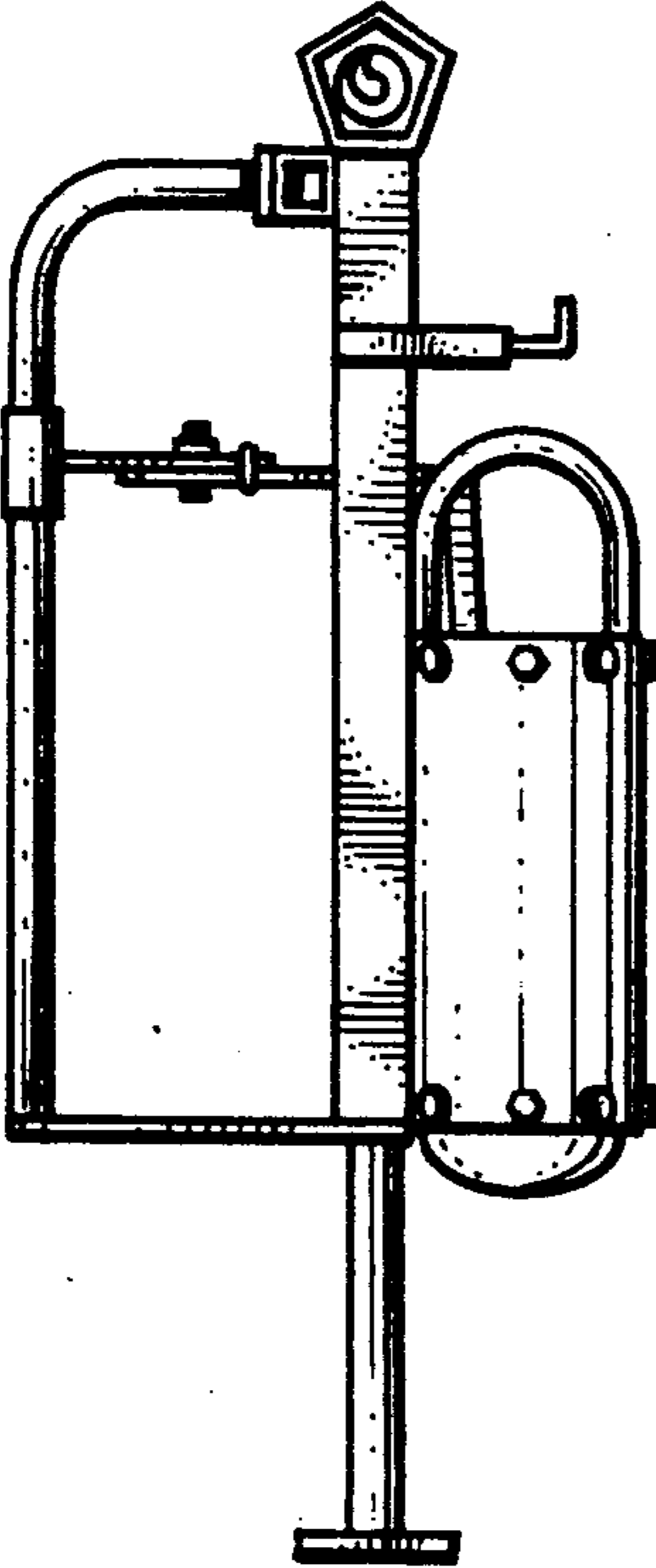


Fig. 3.

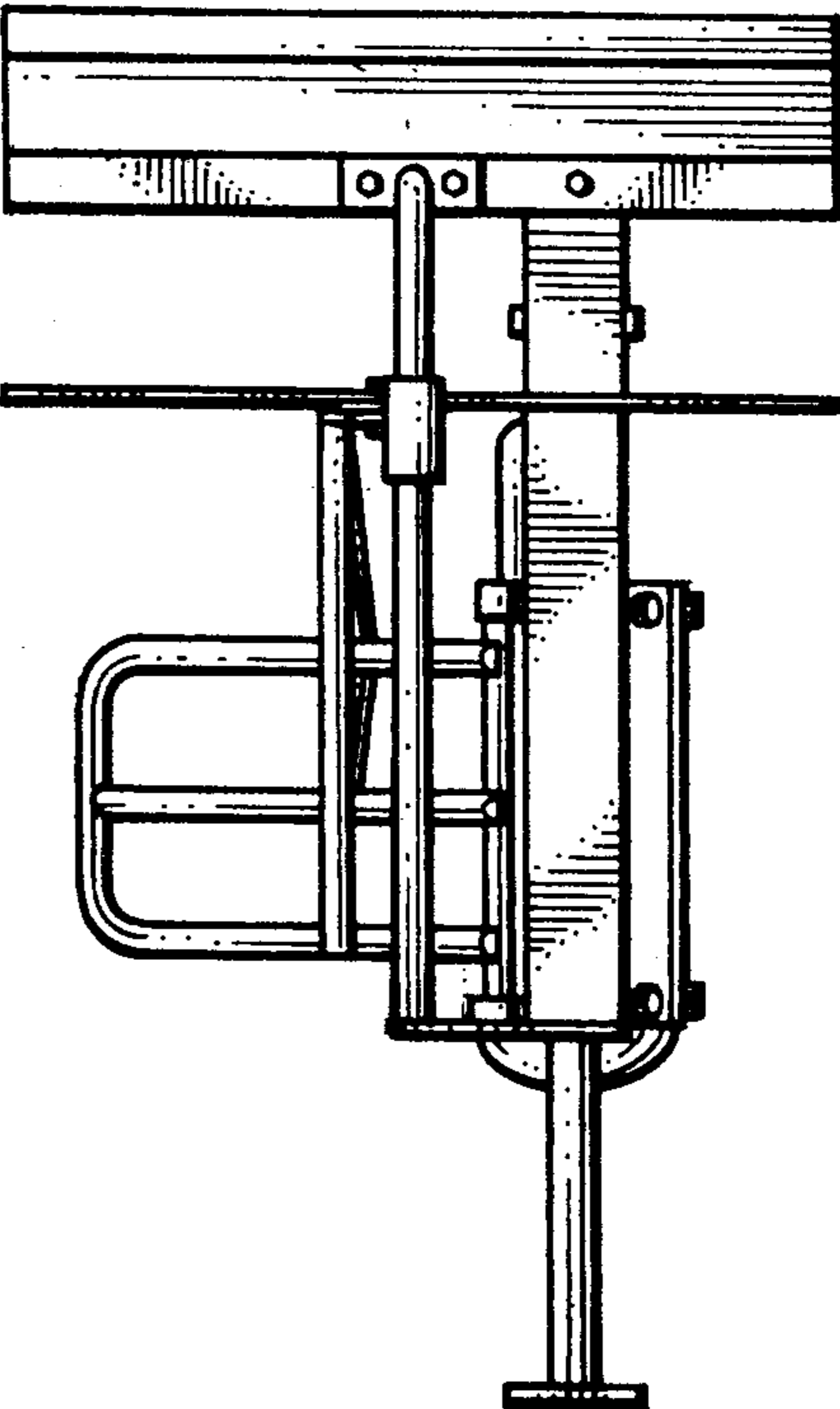


Fig. 4.