

United States Patent [19]

Sakamoto et al.

[11] Patent Number: Des. 274,640

[45] Date of Patent: ** Jul. 10, 1984

[54] FISHING REEL

[75] Inventors: Masakazu Sakamoto; Takeshi Shohoji, both of Funabashi, Japan

[73] Assignee: Ryobi Limited, Fuchu, Japan

[**] Term: 14 Years

[21] Appl. No.: 340,055

[22] Filed: Jan. 18, 1982

[30] Foreign Application Priority Data

Jul. 31, 1981 [JP]	Japan	56-34181
Jul. 31, 1981 [JP]	Japan	56-34182
Sep. 1, 1981 [JP]	Japan	56-38807
[52] U.S. Cl.		D22/25
[58] Field of Search	242/84.2 R, 84.2 A, 242/84.21 R, 84.21 A; D22/25	

[56] References Cited

U.S. PATENT DOCUMENTS

D. 246,662	12/1977	Okada	D22/25
D. 256,493	8/1980	Okada	D22/25
3,329,393	7/1967	Wood, Jr.	242/84.2 R
3,814,349	6/1974	Menne	242/84.2 A X
3,877,658	4/1975	Lemery	242/84.2 A

Primary Examiner—A. Hugo Word
Attorney, Agent, or Firm—Frishauf, Holtz, Goodman & Woodward

[57] CLAIM

The ornamental design for a fishing reel, as shown.

DESCRIPTION

FIG. 1 is a left side elevational view of a fishing reel showing my new design;
FIG. 2 is a right side elevational view thereof;
FIG. 3 is a front elevational view thereof;
FIG. 4 is a rear elevational view thereof;
FIG. 5 is a top plan view thereof;
FIG. 6 is a bottom plan view thereof;
FIG. 7 is front-right side perspective view thereof; and
FIG. 8 is a bottom-left side perspective view thereof.

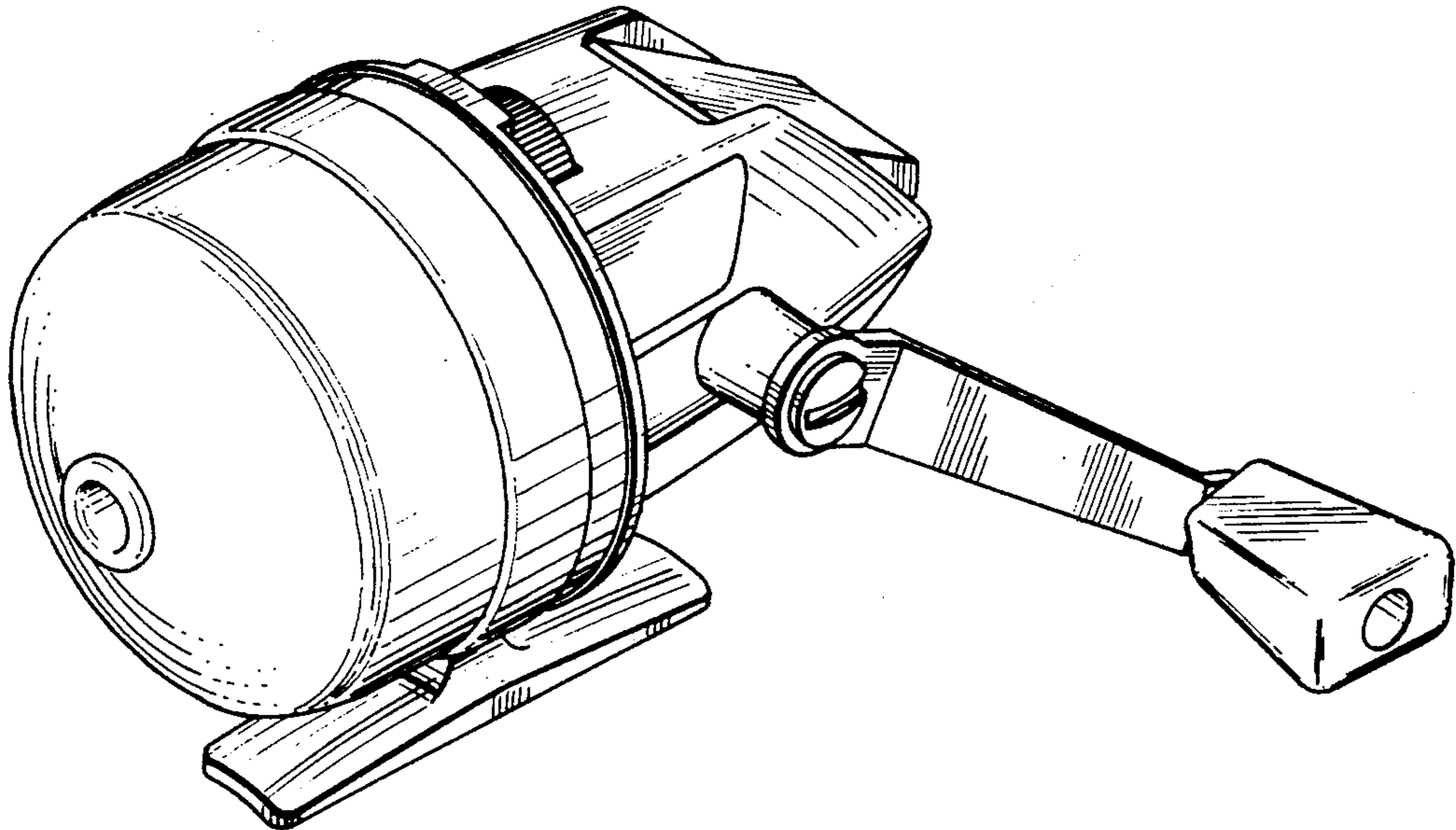


FIG. 1

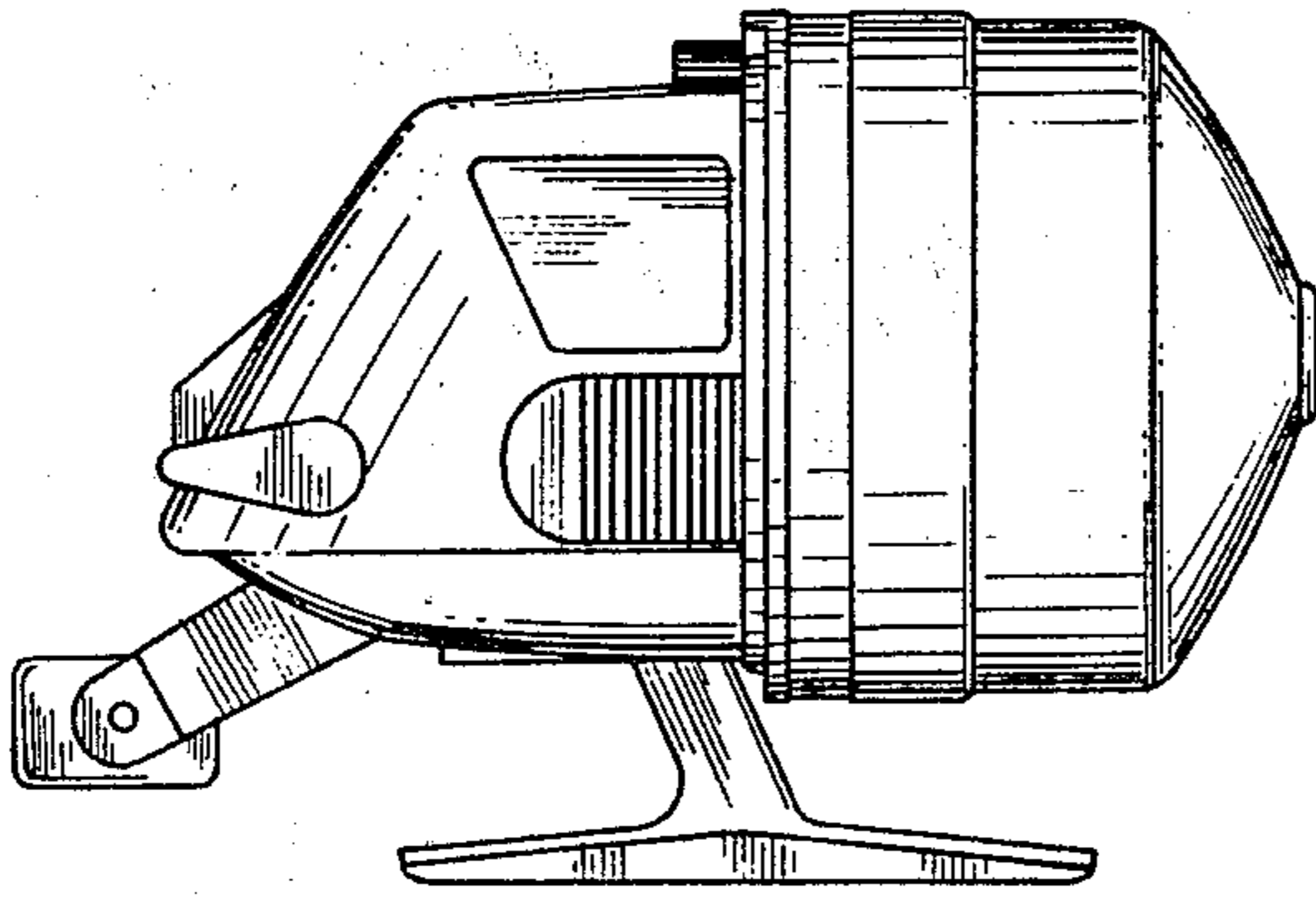


FIG. 2

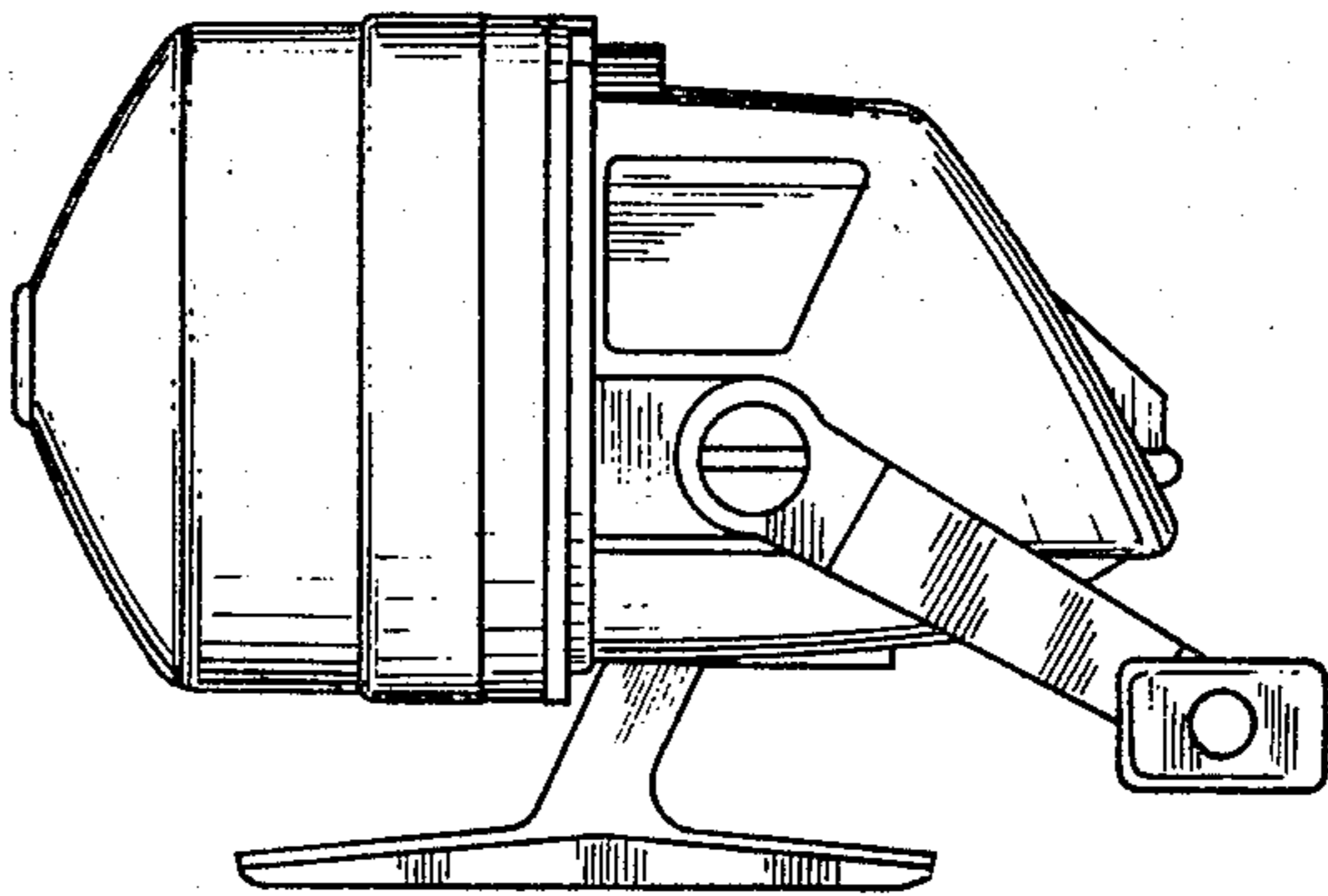


FIG. 3

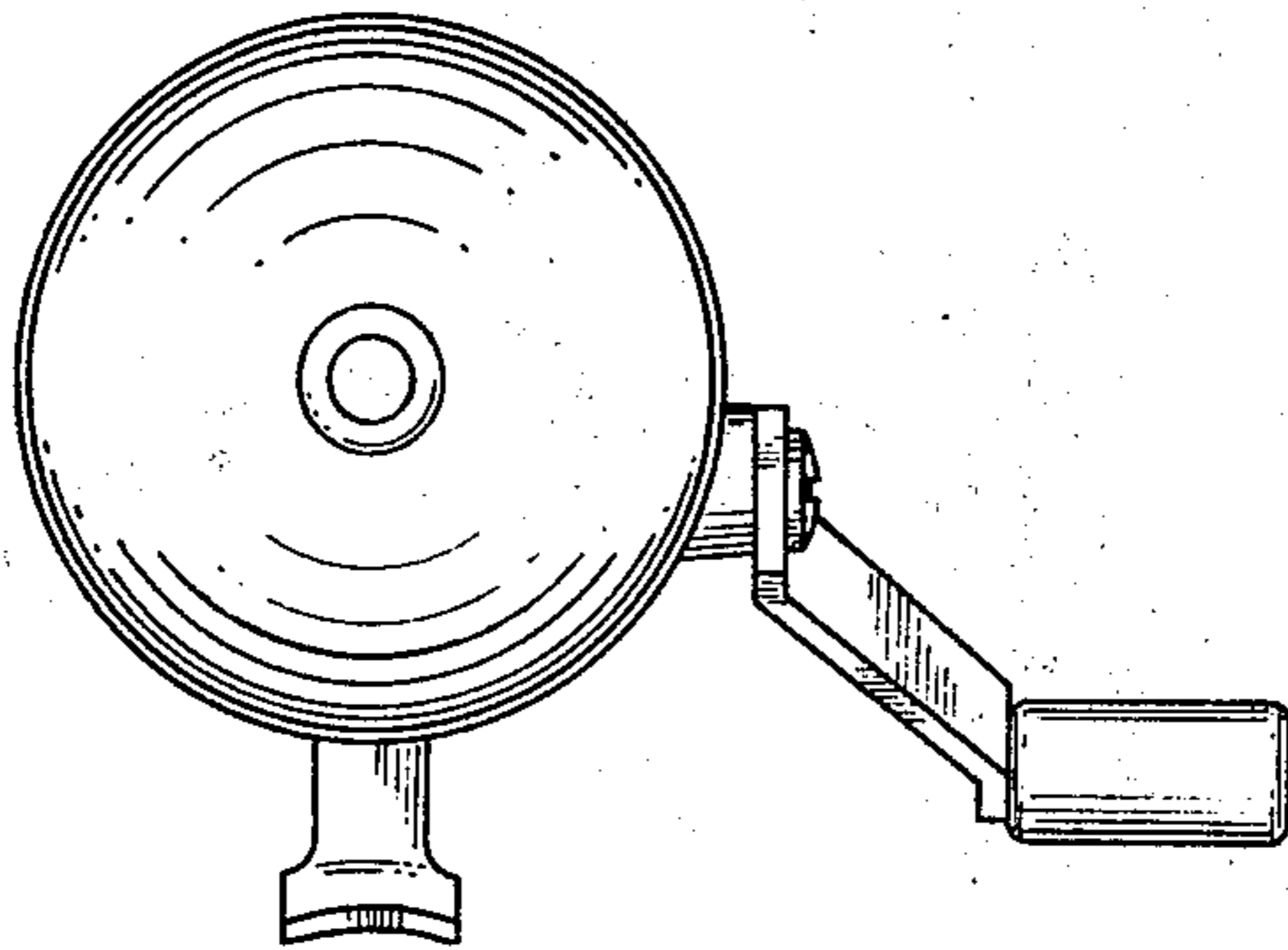


FIG. 4

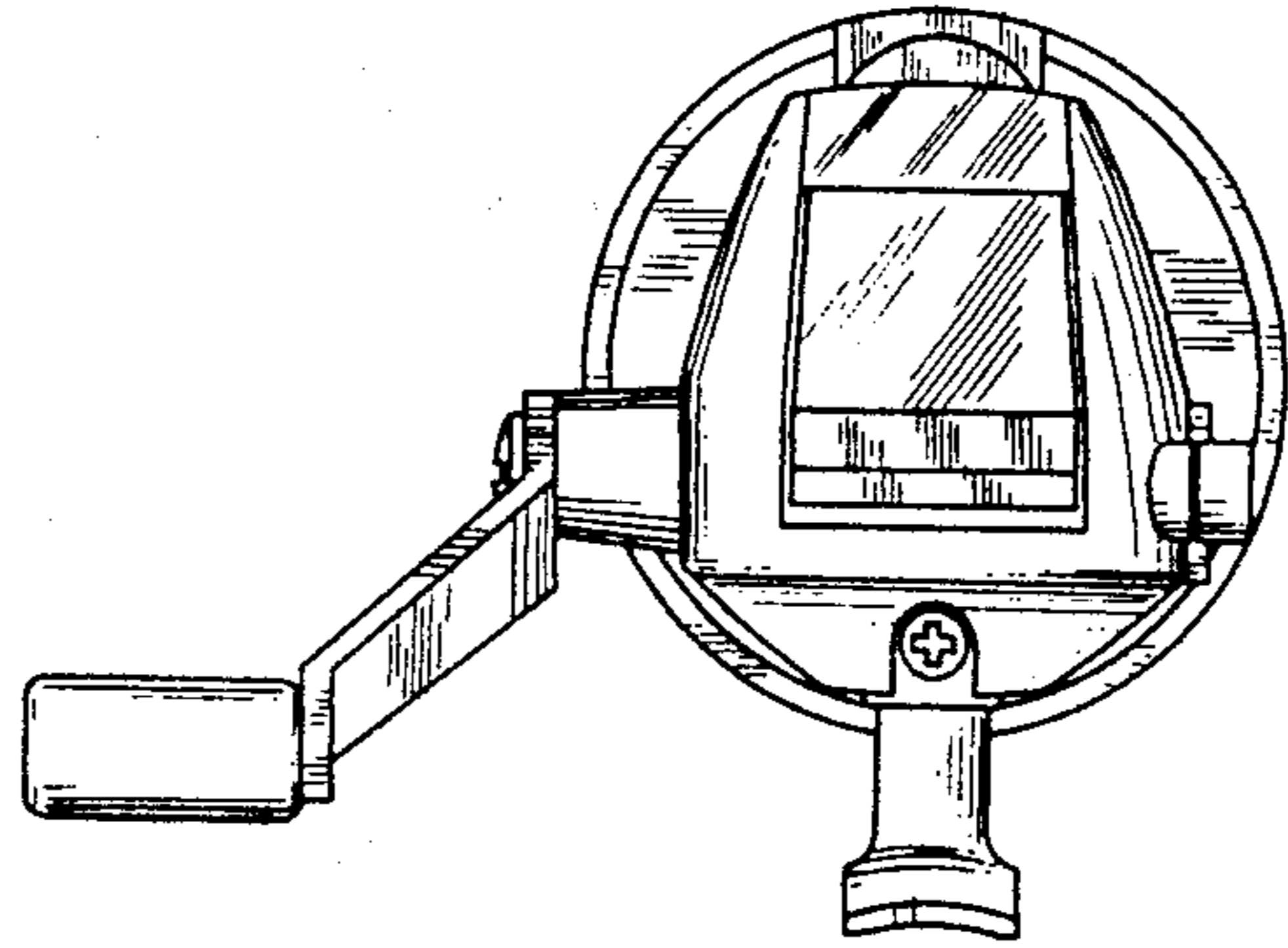


FIG. 5

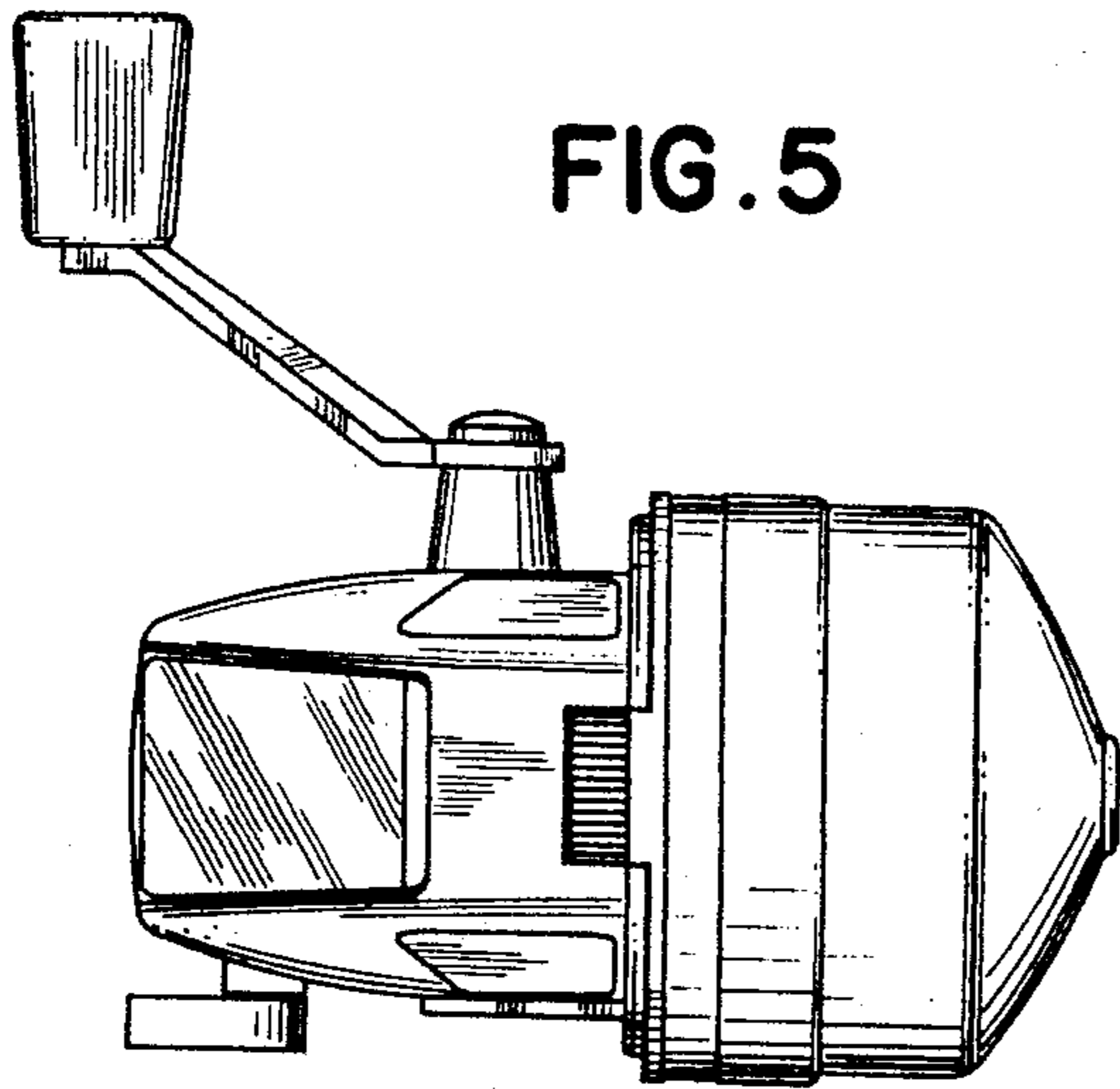


FIG. 6

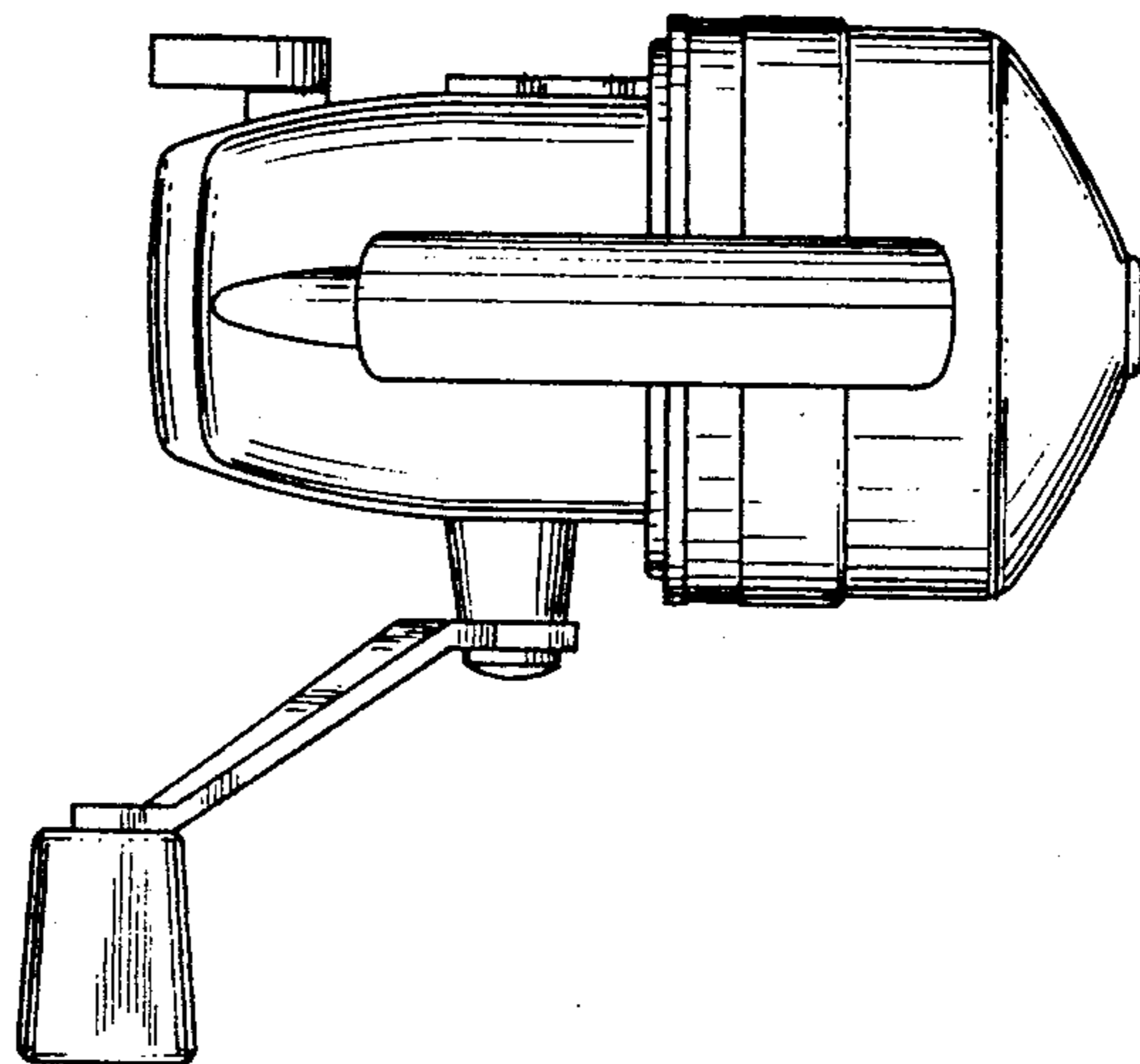


FIG. 7

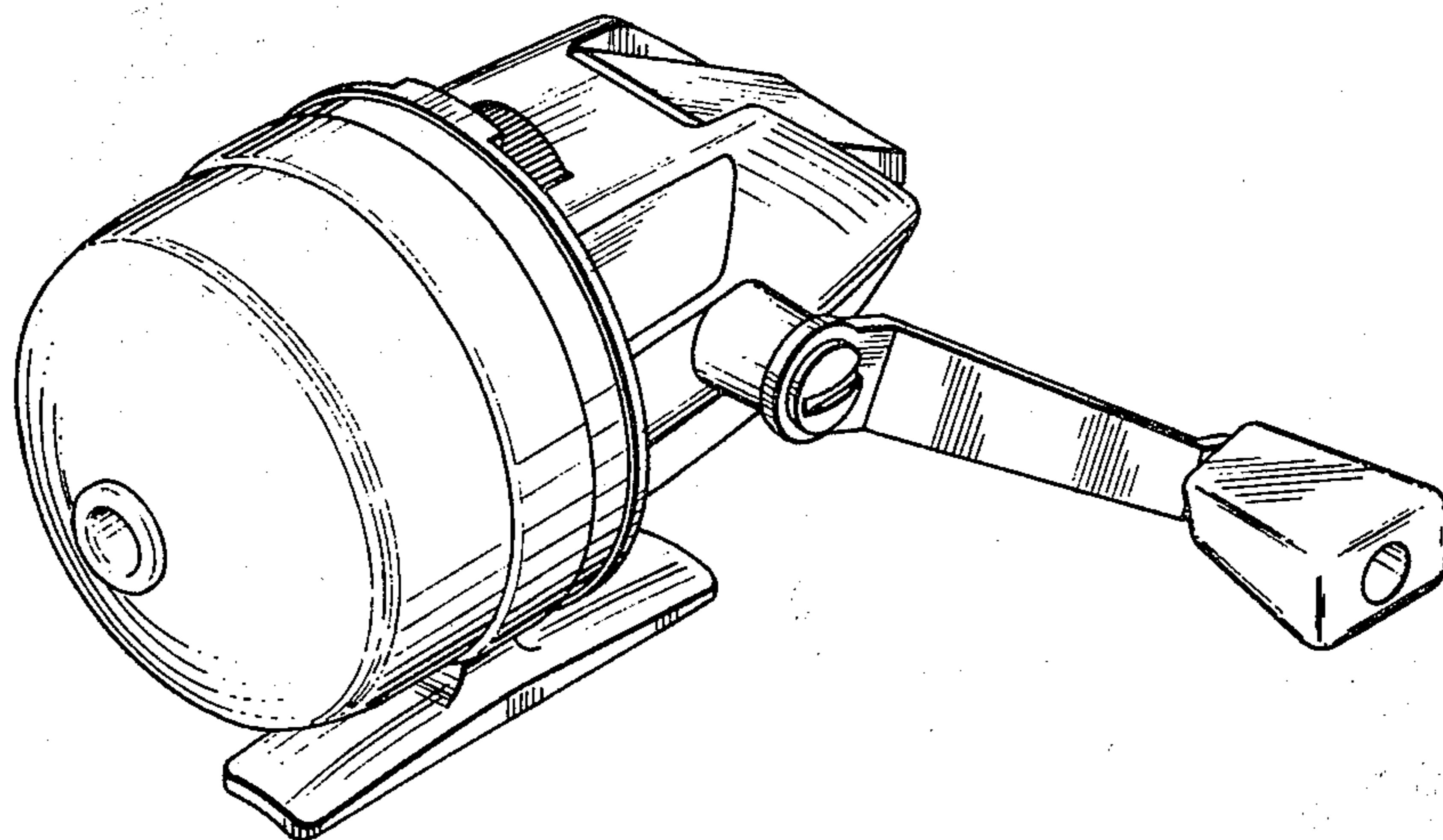


FIG. 8

