

[54] TOY RACE CAR

[75] Inventor: Masumi Terui, Matsudoshi, Japan

[73] Assignee: Takara Co., Ltd., Tokyo, Japan

[\*\*] Term: 14 Years

[21] Appl. No.: 404,439

[22] Filed: Aug. 2, 1982

[52] U.S. Cl. .... D21/137

[58] Field of Search ..... D21/73, 76, 78, 79, D21/80, 128, 132, 134, 135, 136, 137, 140; 46/201, 210, 222, 223; D12/93, 99

[56] References Cited

U.S. PATENT DOCUMENTS

- D. 142,229 8/1945 Roach ..... D21/137
- D. 145,737 10/1946 Kuntz ..... D21/137
- D. 203,304 12/1965 Douglas ..... D21/137

OTHER PUBLICATIONS

"EFSI" Toy Flier, p. 2, #406 Lotus toy vehicle.

Primary Examiner—Charles A. Rademaker  
Attorney, Agent, or Firm—Jackson, Jones & Price

[57] CLAIM

The ornamental design for a toy race car, substantially as shown and described.

DESCRIPTION

FIG. 1 is a top plan view of a toy race car showing my new design;

FIG. 2 is a right side elevational view thereof;

FIG. 3 is a bottom plan view thereof;

FIG. 4 is a front elevational view thereof; and

FIG. 5 is a rear elevational view thereof.

The side of the toy race car opposite the view of FIG. 2 is substantially a mirror image thereof.

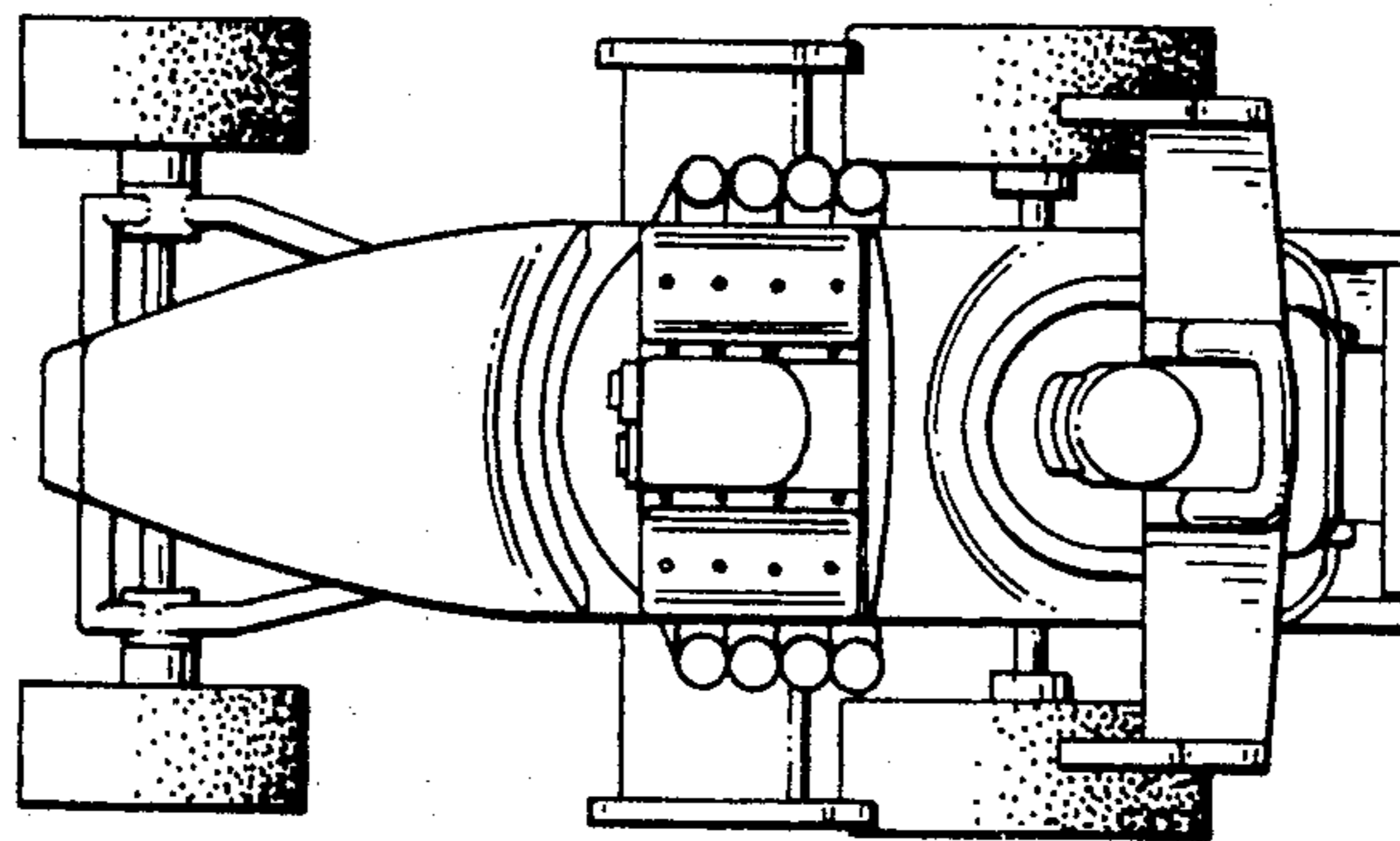


FIG. 1

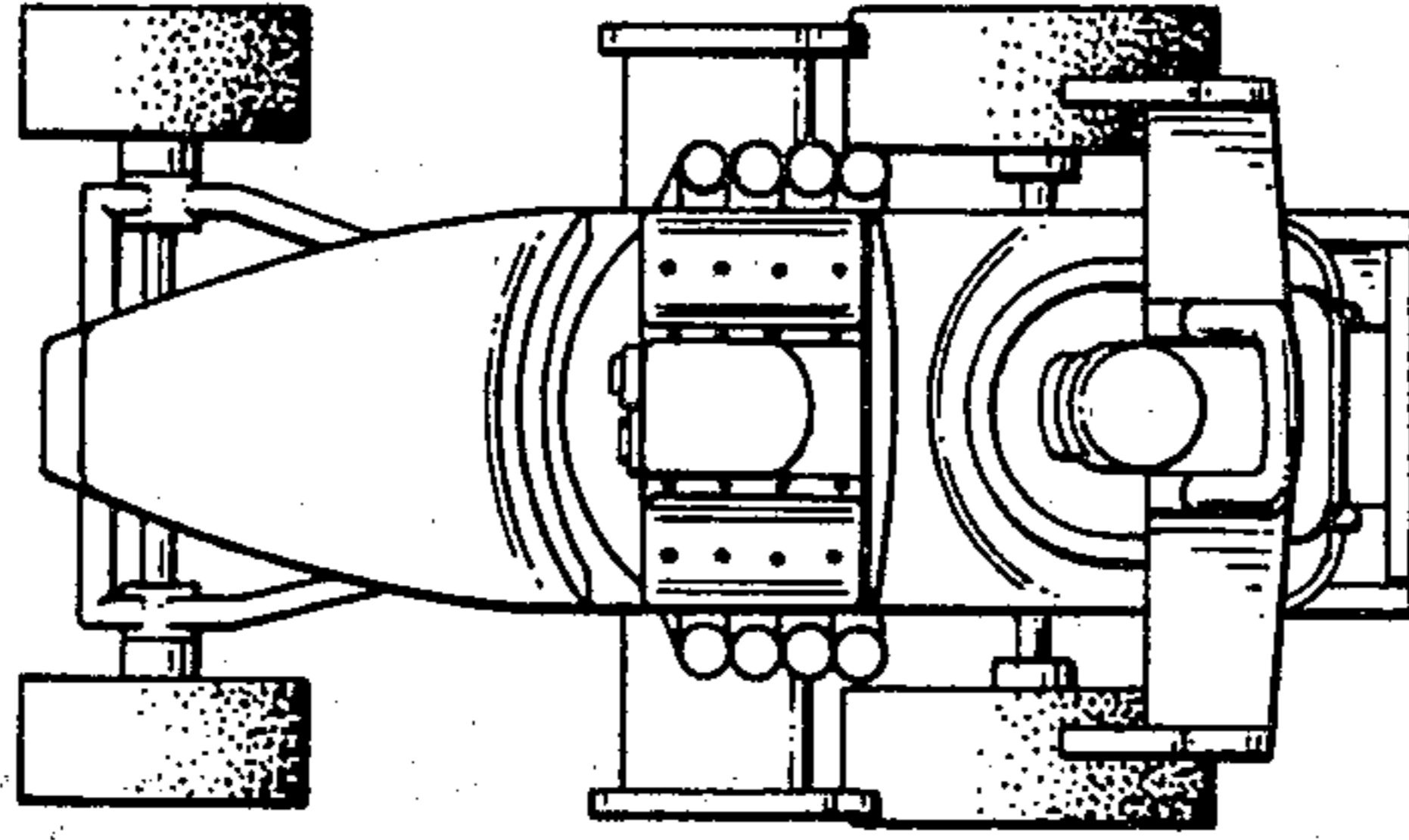


FIG. 2

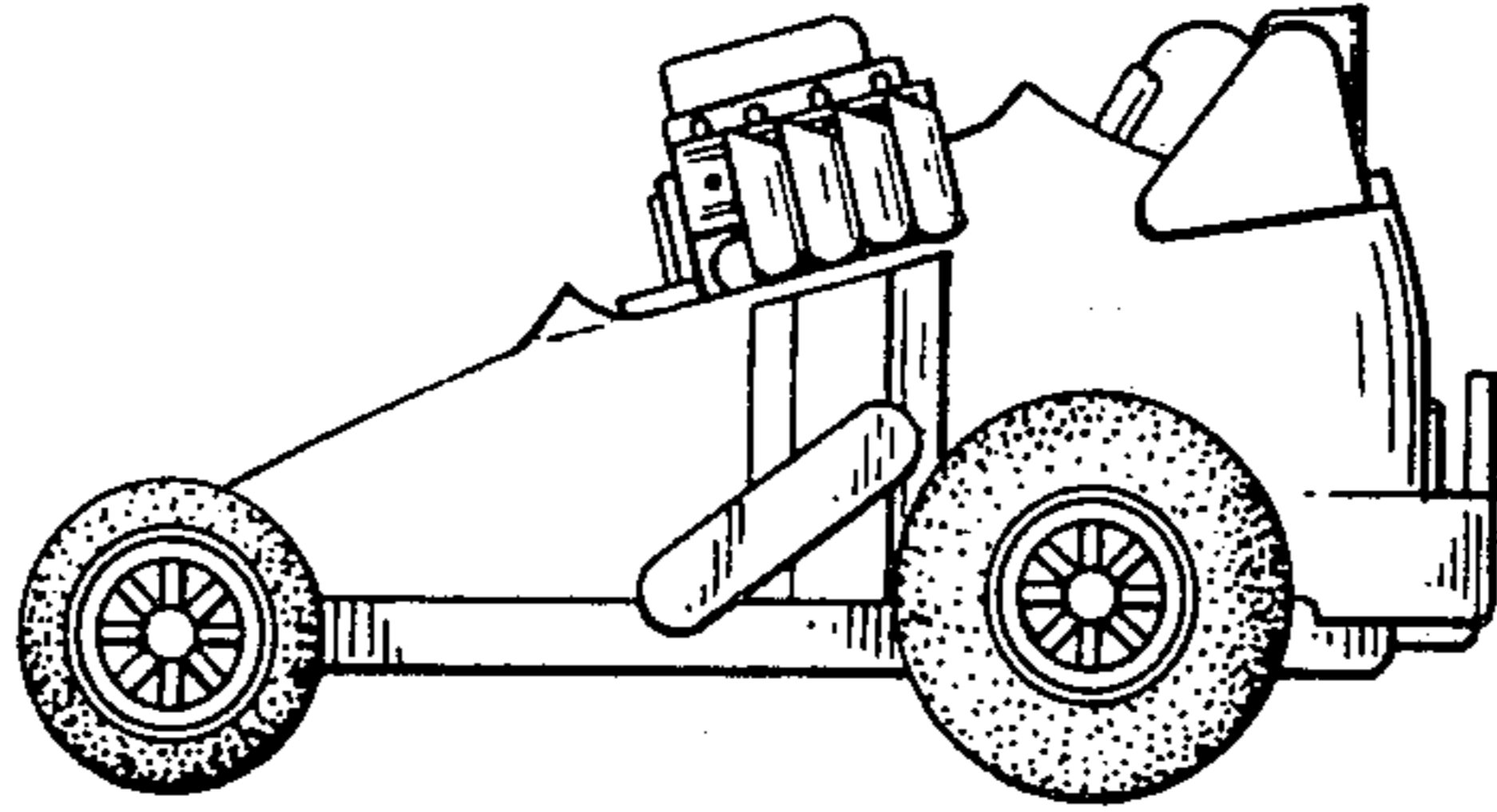


FIG. 3

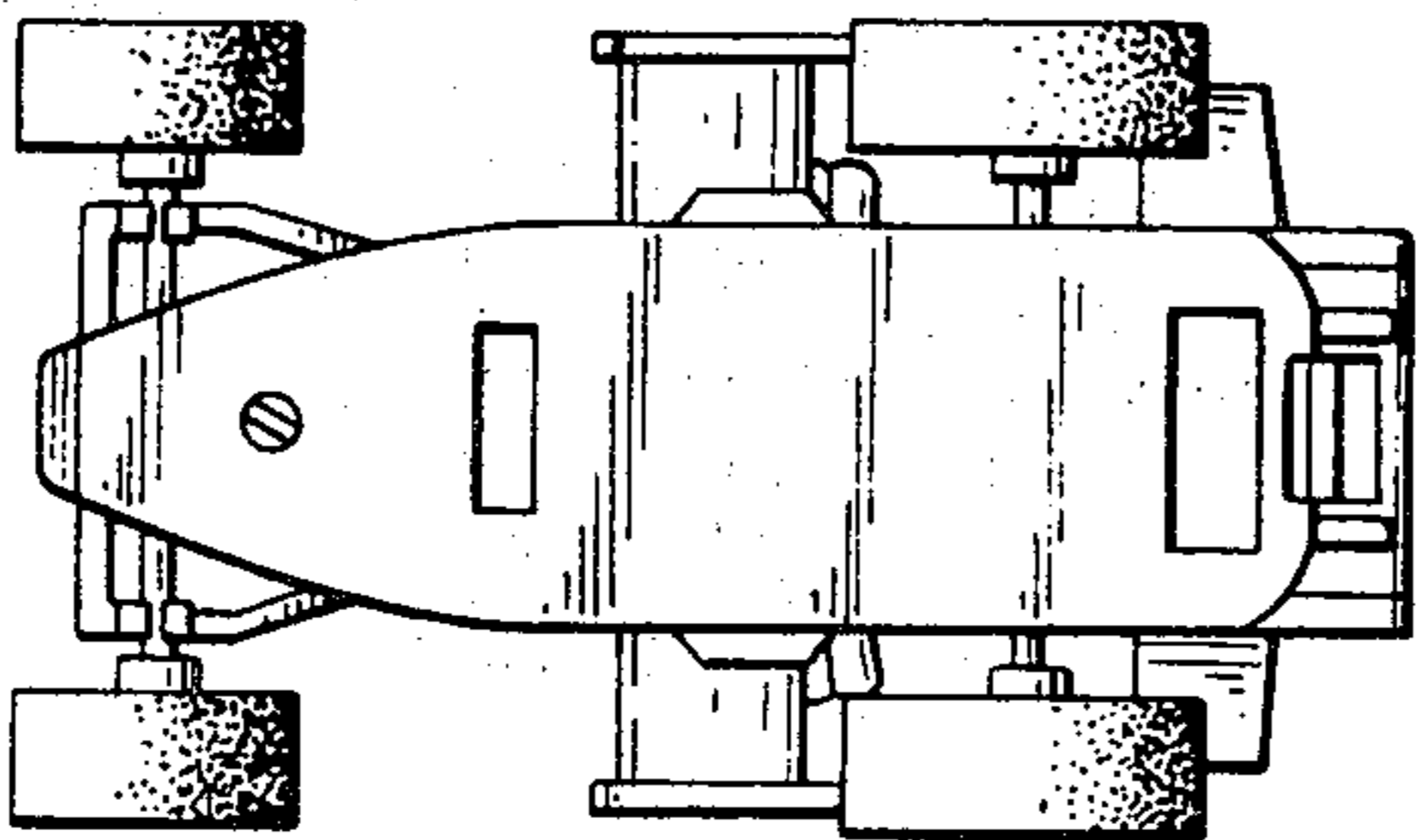


FIG. 5

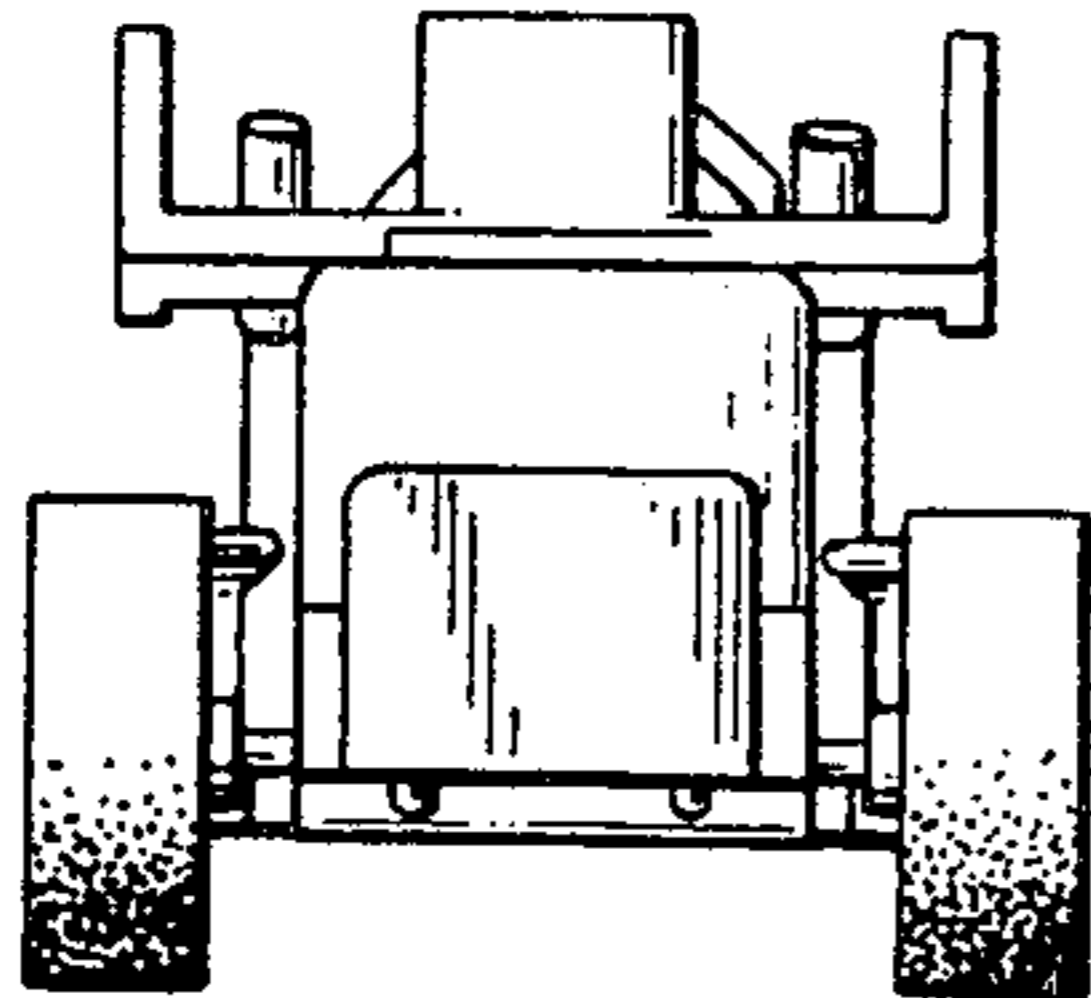


FIG. 4

