

United States Patent [19]
Terui

[11] **Patent Number: Des. 274,635**

[45] **Date of Patent: ** Jul. 10, 1984**

- [54] **TOY RACE CAR**
- [75] **Inventor: Masumi Terui, Matsudoshi, Japan**
- [73] **Assignee: Takara Co., Ltd., Tokyo, Japan**
- [**] **Term: 14 Years**
- [21] **Appl. No.: 404,440**
- [22] **Filed: Aug. 2, 1982**
- [52] **U.S. Cl. D21/136**
- [58] **Field of Search D21/73, 76, 78, 79,
D21/80, 128, 132, 134, 135, 136, 137, 140;
46/201, 210, 222, 223; D12/99, 93**

- D. 208,559 9/1967 Horowitz D21/136
- D. 238,799 2/1976 Goldfarb D21/140

Primary Examiner—Charles A. Rademaker
Attorney, Agent, or Firm—Jackson, Jones & Price

[57] **CLAIM**

The ornamental design for a toy race car, substantially as shown and described.

DESCRIPTION

FIG. 1 is a top plan view of a toy race car showing my new design;
FIG. 2 is a right side elevational view thereof;
FIG. 3 is a bottom plan view thereof;
FIG. 4 is a front elevational view thereof; and
FIG. 5 is a rear elevational view thereof.
The side of the toy race car opposite the view of FIG. 2 is substantially a mirror image thereof.

- [56] **References Cited**
U.S. PATENT DOCUMENTS
D. 145,737 10/1946 Kuntz D21/137

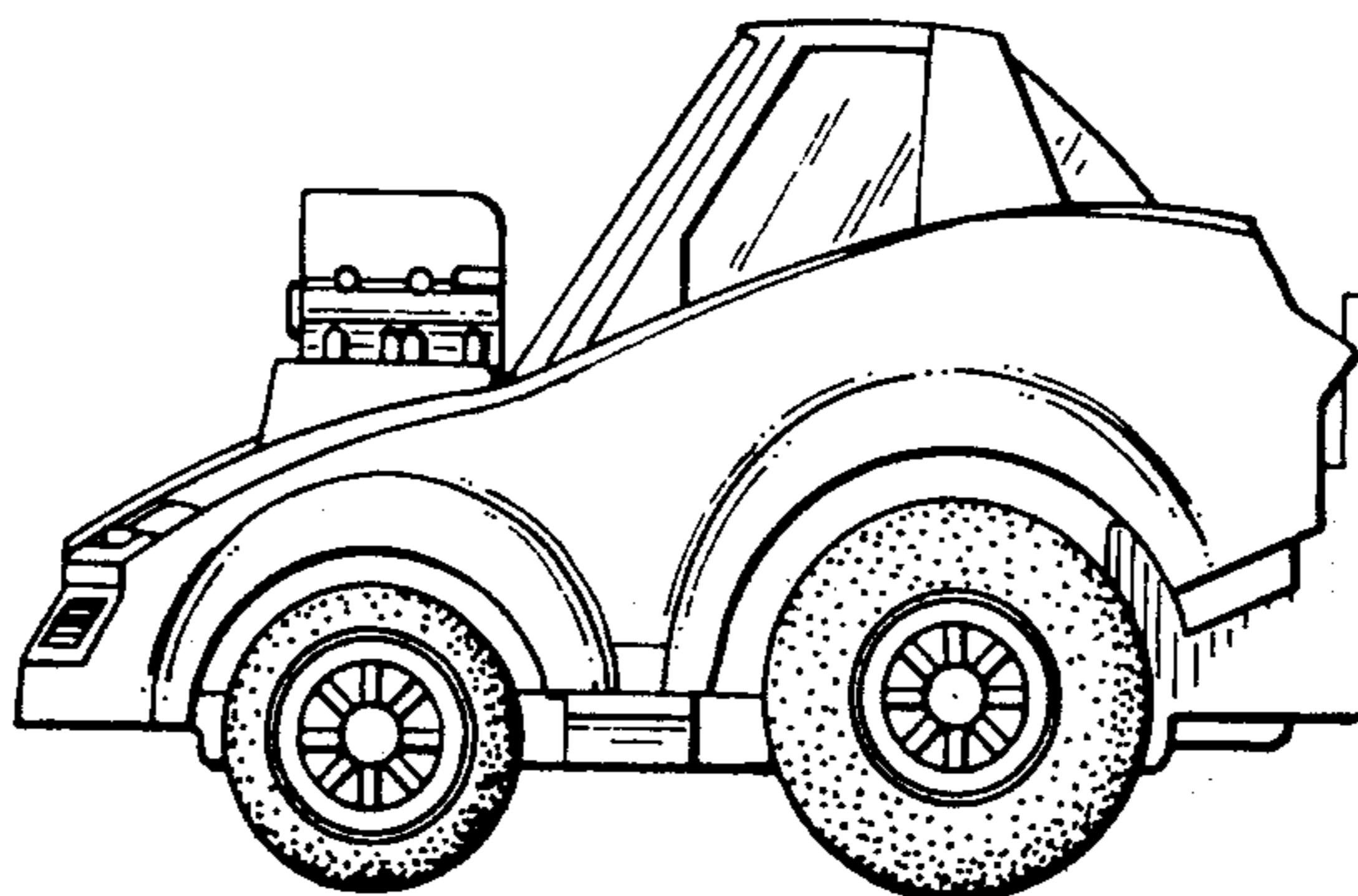


FIG. 1

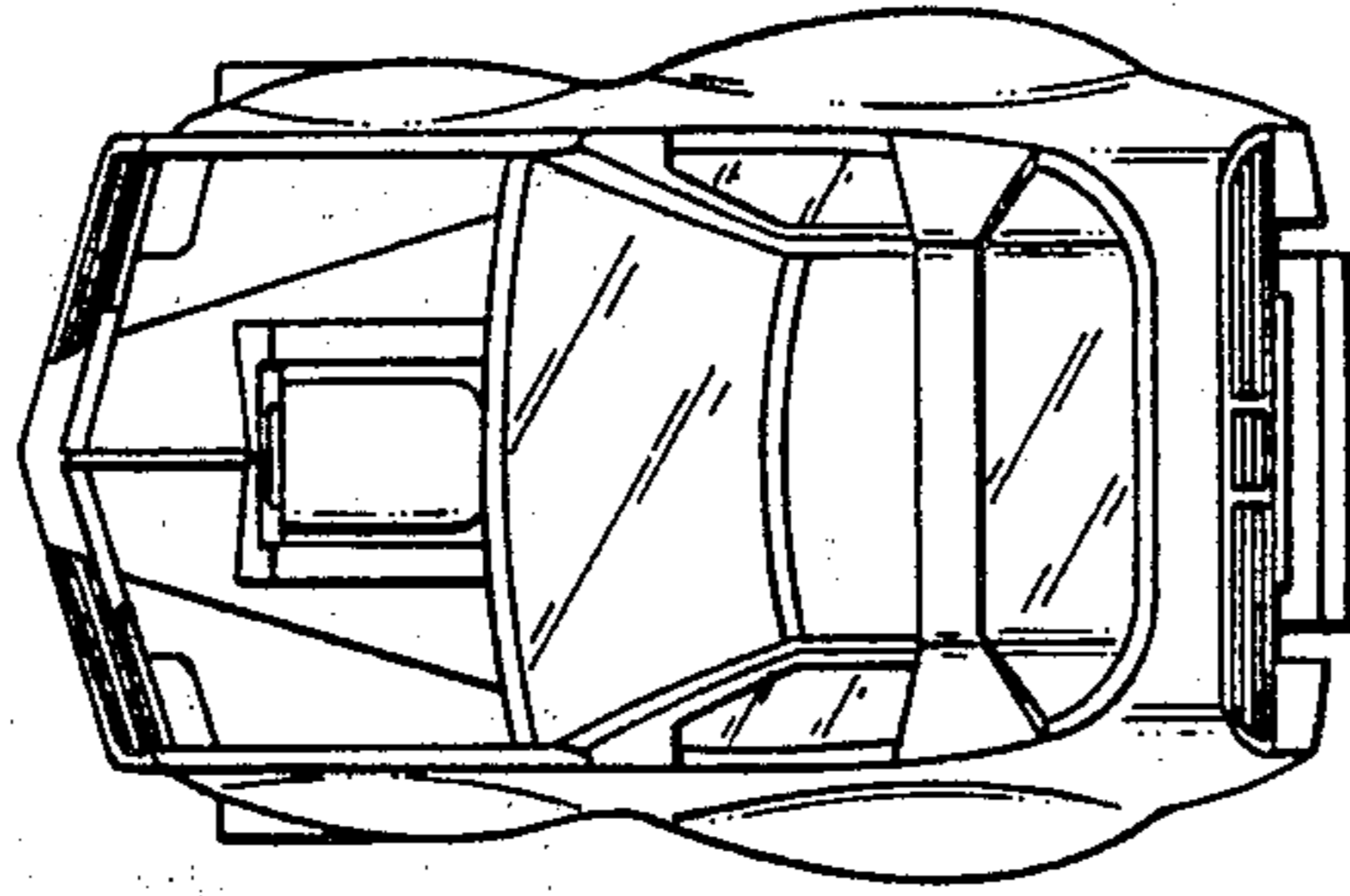


FIG. 2

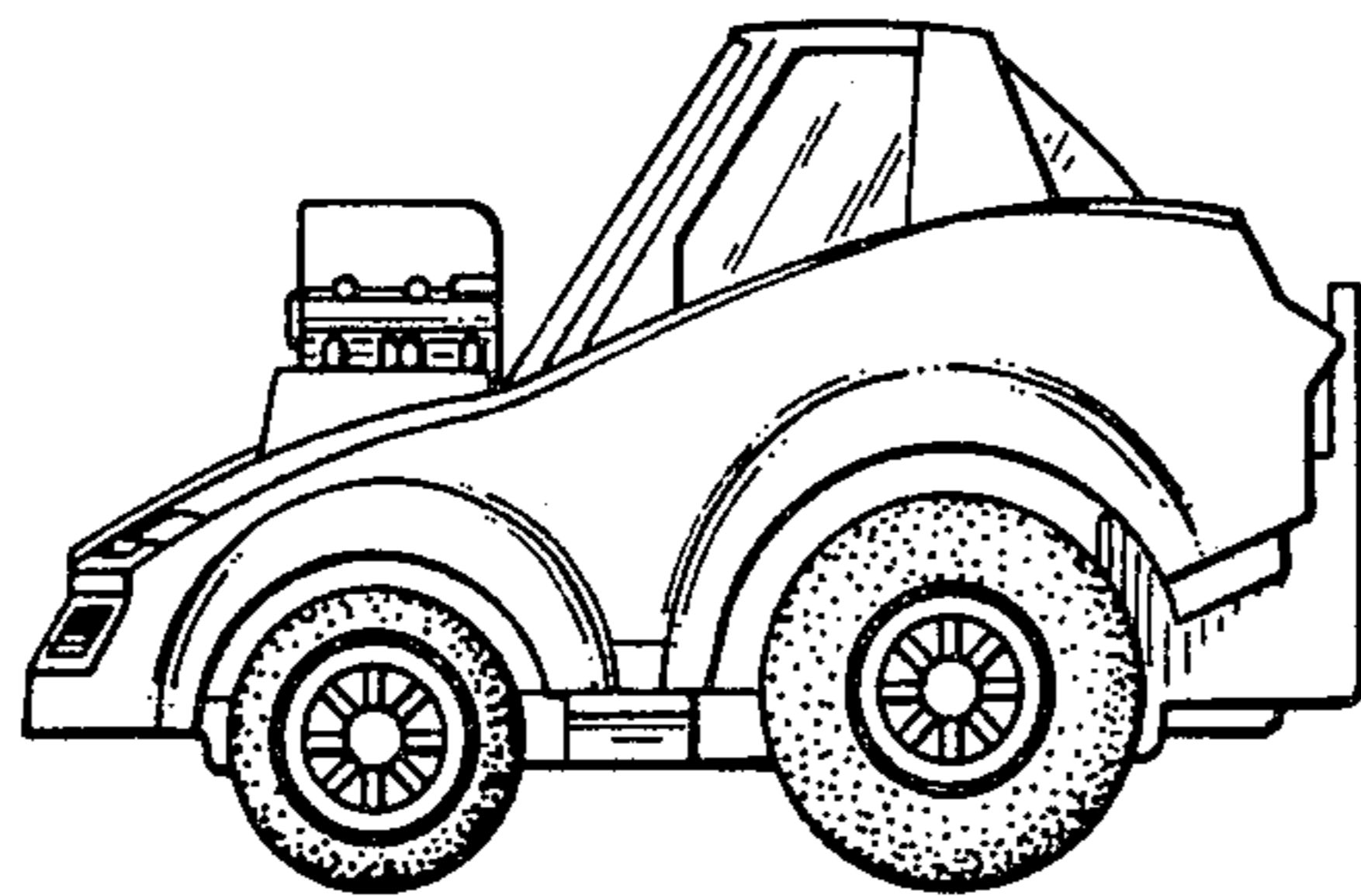


FIG. 3

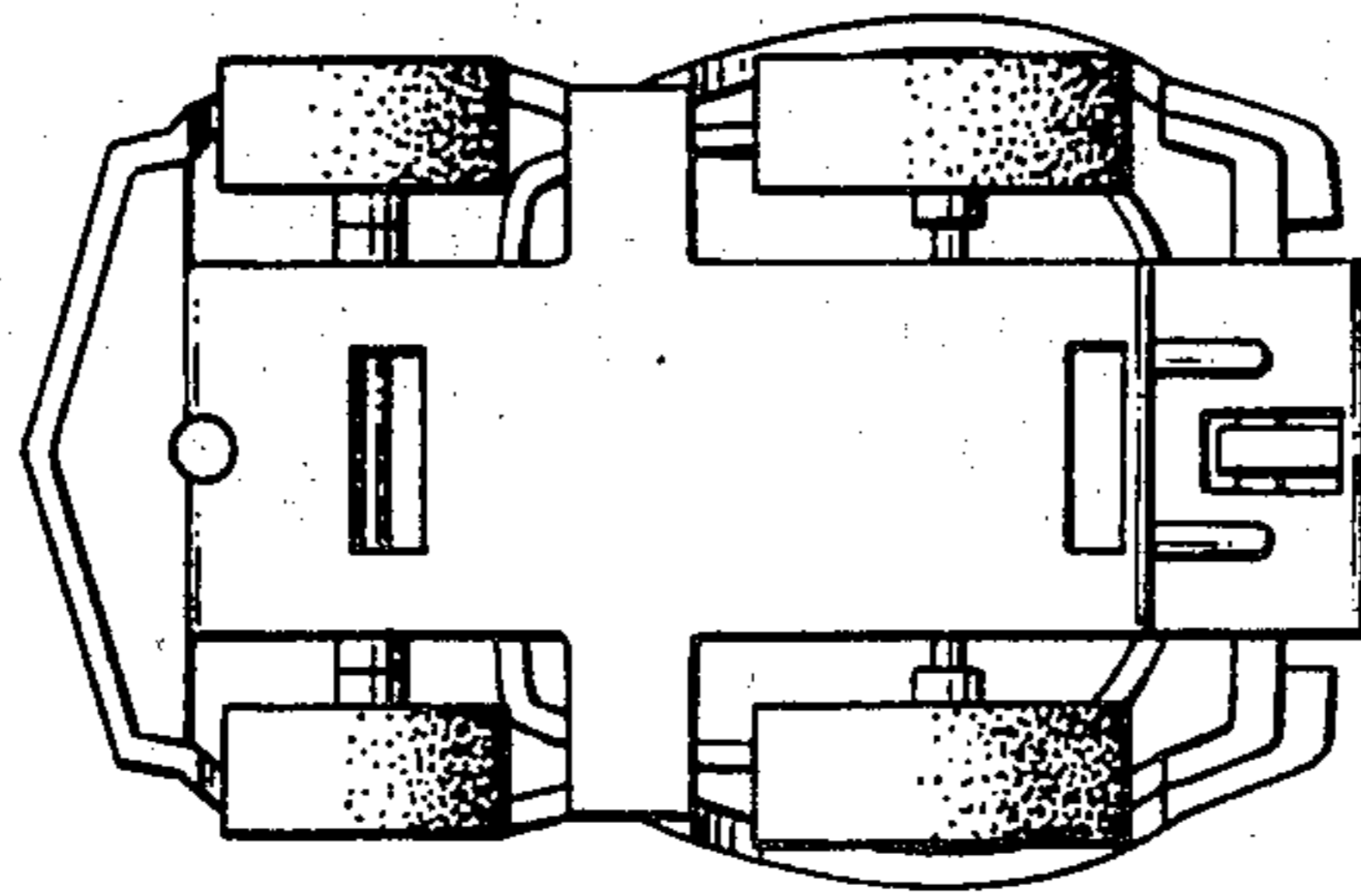


FIG. 5

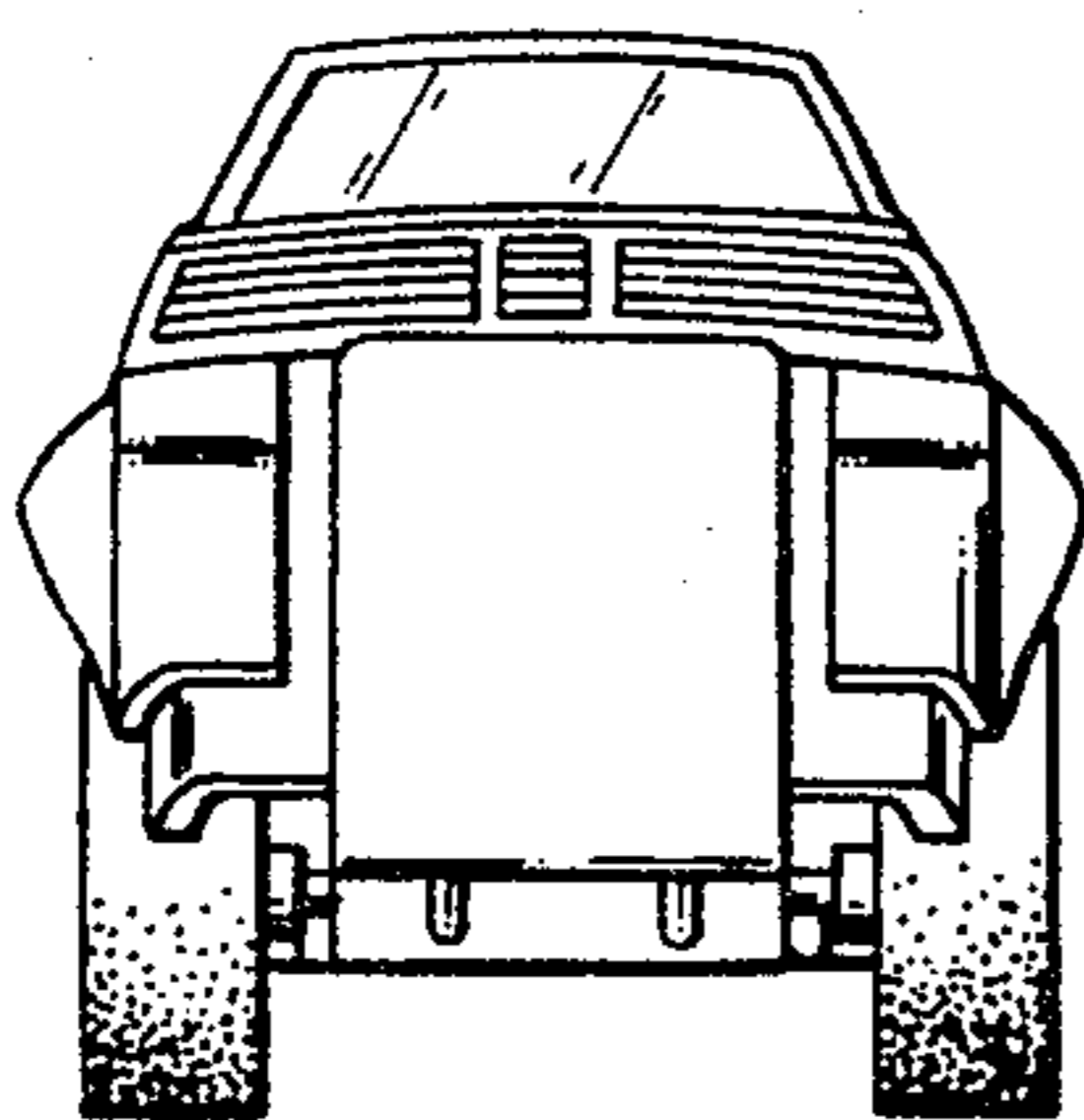


FIG. 4

