

[54] TOY PICKUP TRUCK

[75] Inventor: Masumi Terui, Matsudoshi, Japan

[73] Assignee: Takara Co., Ltd., Tokyo, Japan

[**] Term: 14 Years

[21] Appl. No.: 404,637

[22] Filed: Aug. 2, 1982

[52] U.S. Cl. D21/134

[58] Field of Search D21/73, 76, 78, 79,
D21/80, 128, 132, 134, 135, 136, 137, 140;
D12/93, 99; 46/201, 210, 222, 223

[56] References Cited

U.S. PATENT DOCUMENTS

- D. 246,775 12/1977 Brubaker D12/99
- D. 248,119 6/1978 Nix et al. D21/134
- D. 258,165 2/1981 Burdock D21/132

OTHER PUBLICATIONS

Toys, 3/80, p. 6, Toy Truck, third vehicle from top left corner of page.

Primary Examiner—Charles A. Rademaker
Attorney, Agent, or Firm—Jackson, Jones & Price

[57] CLAIM

The ornamental design for a toy pickup truck, substantially as shown and described.

DESCRIPTION

FIG. 1 is a top plan view of a toy pickup truck showing my new design;

FIG. 2 is a right side elevational view thereof;

FIG. 3 is a bottom plan view thereof;

FIG. 4 is a front elevational view thereof; and

FIG. 5 is a rear elevational view thereof.

The side of the toy pickup truck opposite the view of FIG. 2 is substantially a mirror image thereof.

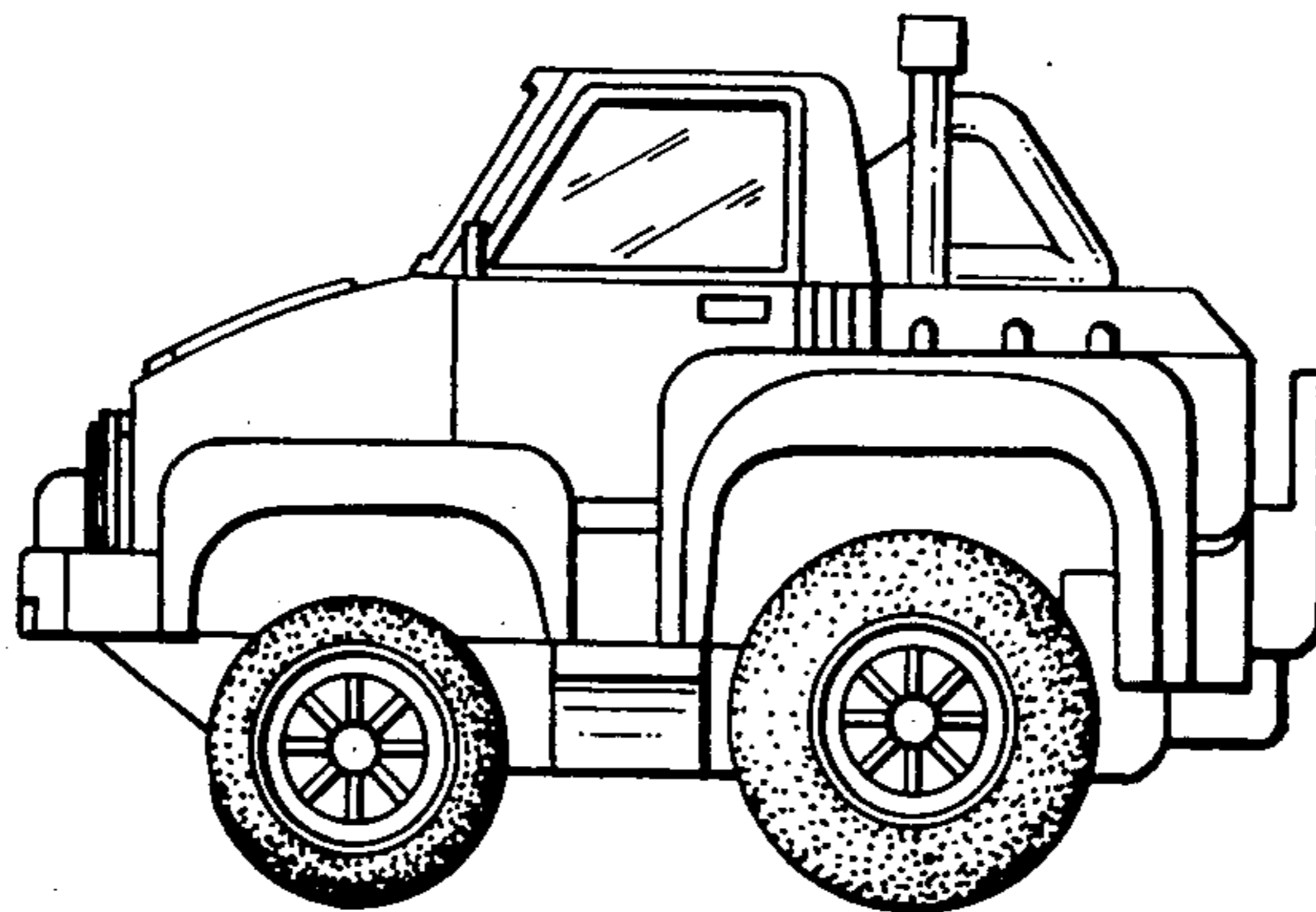


FIG. 1

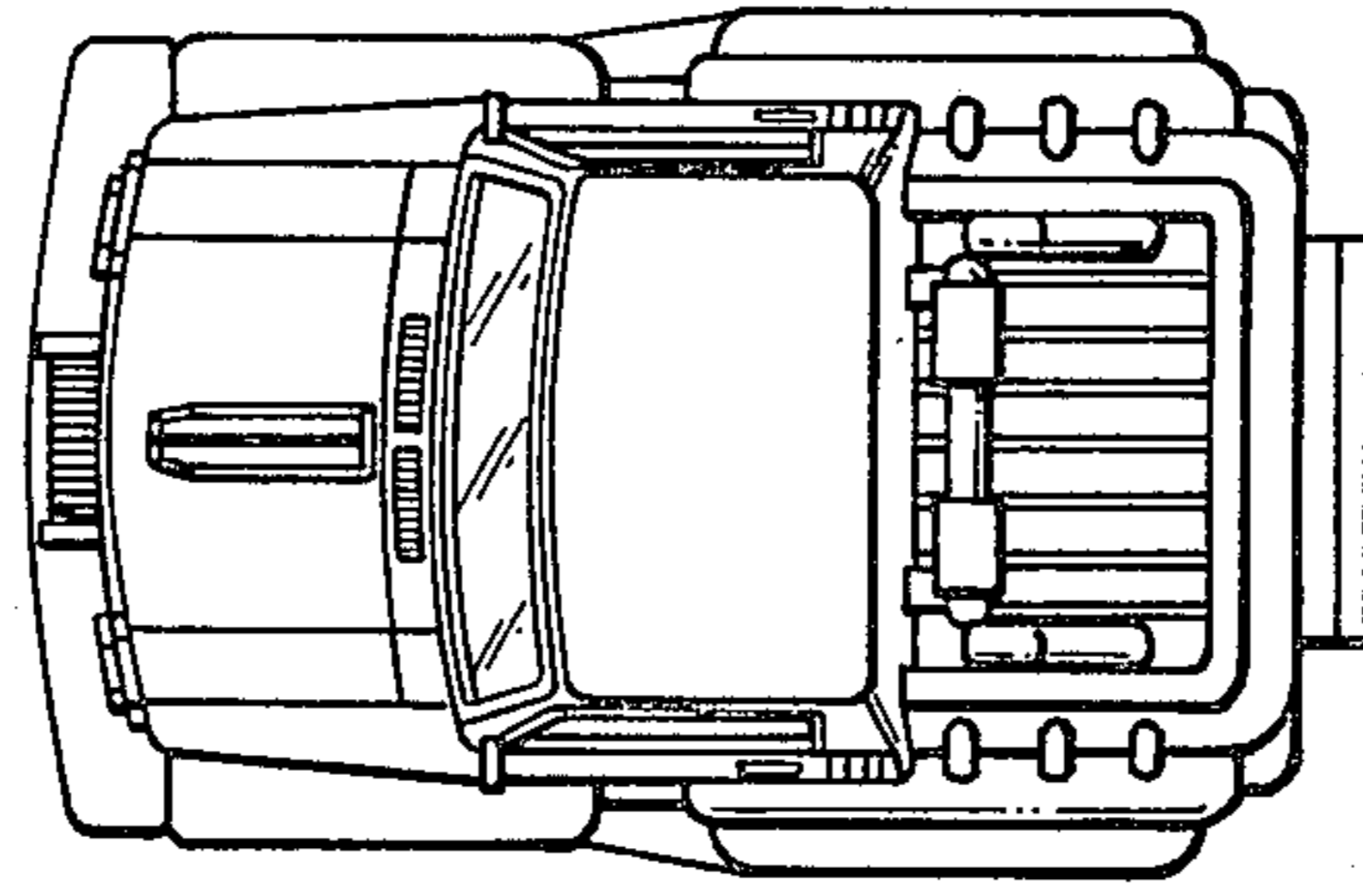


FIG. 2

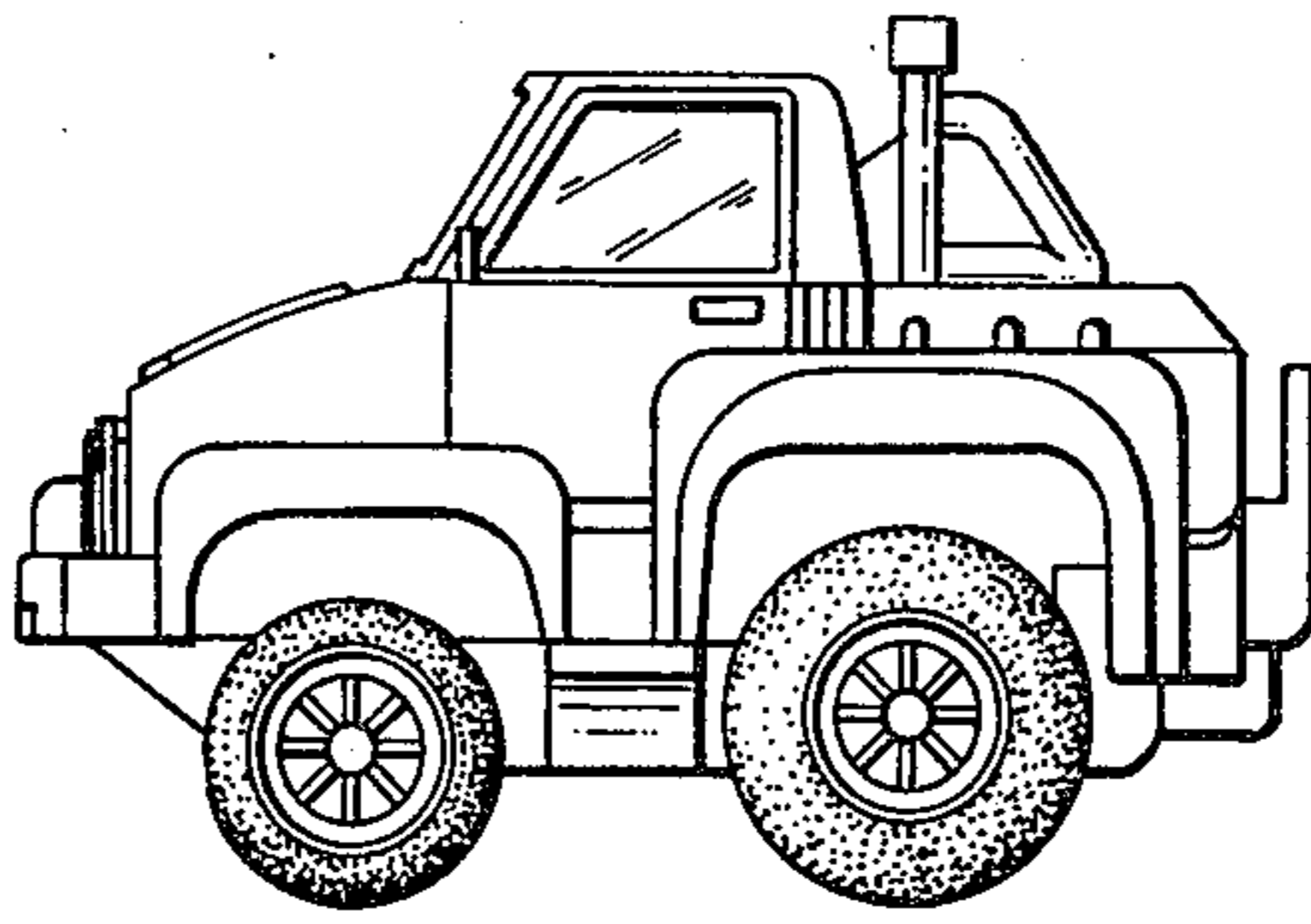


FIG. 3

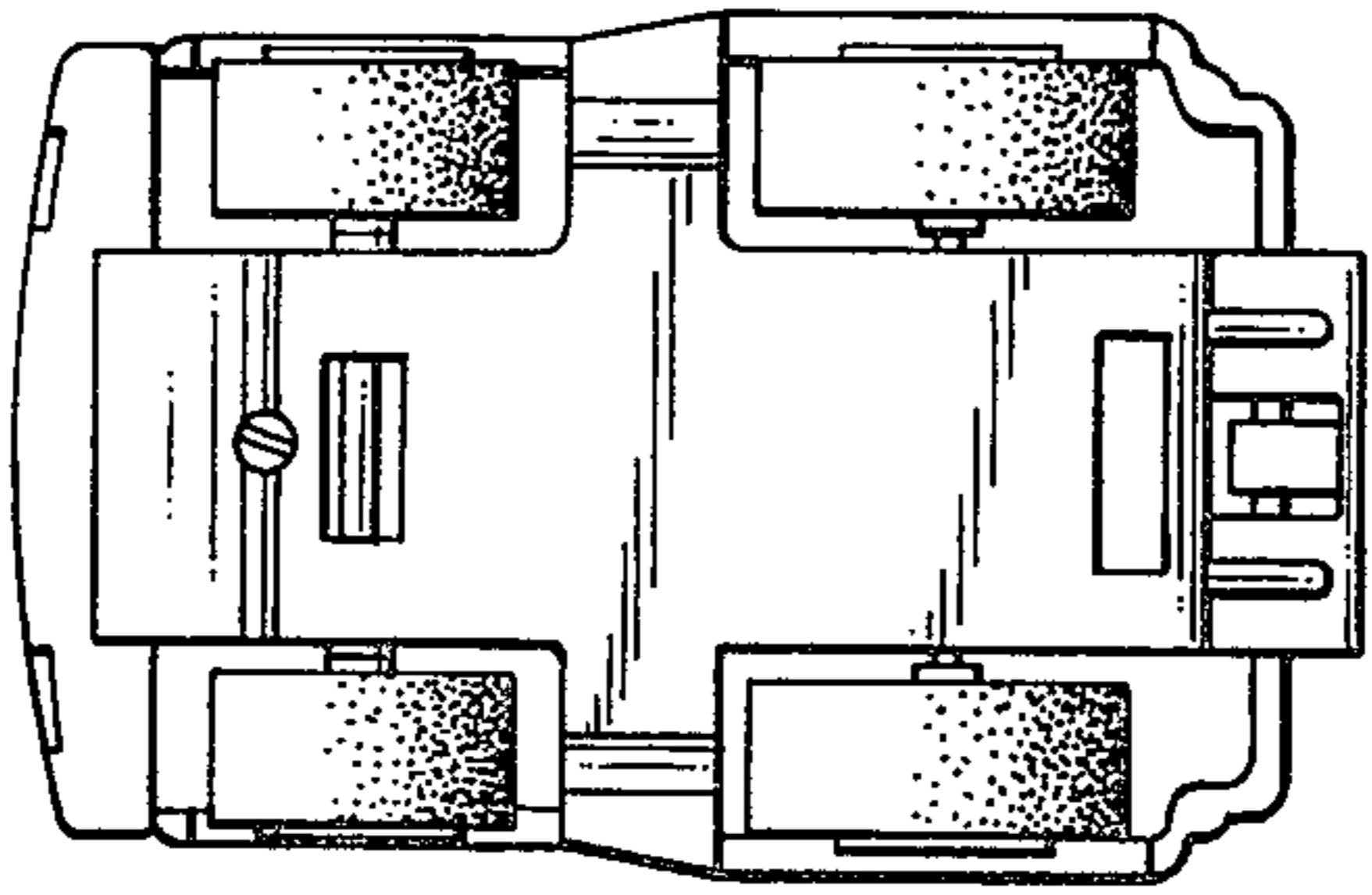


FIG. 5

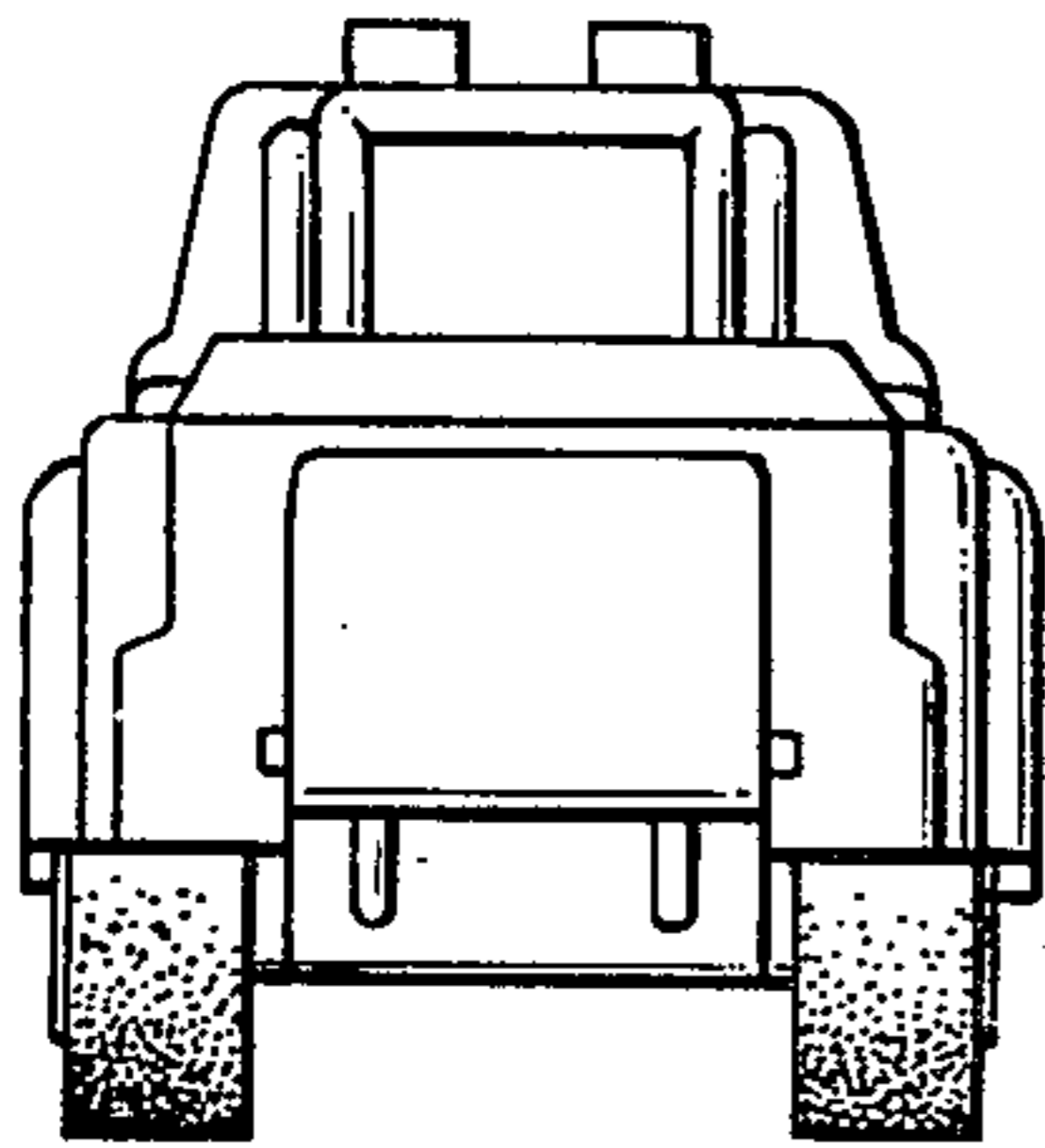


FIG. 4

