

United States Patent [19]

LaPolice et al.

[11] Patent Number: **Des. 274,623**

[45] Date of Patent: **** Jul. 10, 1984**

[54] **SEWING MACHINE MOTOR AND BELT COVER OR SIMILAR ARTICLE**

[75] Inventors: **George LaPolice, Somerville; Robert W. Busch, Jr., Boonton; Albert L. Newman, West Orange, all of N.J.**

[73] Assignee: **The Singer Company, Stamford, Conn.**

[**] Term: **14 Years**

[21] Appl. No.: **326,966**

[22] Filed: **Dec. 2, 1981**

[52] U.S. Cl. **D15/72; D15/78**

[58] Field of Search **D15/66, 68, 69, 70, D15/71, 72, 73, 74, 75, 76, 77, 78; 112/258, 259, 261**

[56] **References Cited**

U.S. PATENT DOCUMENTS

- D. 117,692 11/1939 Ingwer D15/72
- D. 206,034 10/1966 Reichenstein D15/69

- D. 266,519 10/1982 Genara et al. D15/68
- 965,335 7/1910 Rosenbloom et al. 112/261
- 2,168,501 8/1939 Stoyanowski 112/261

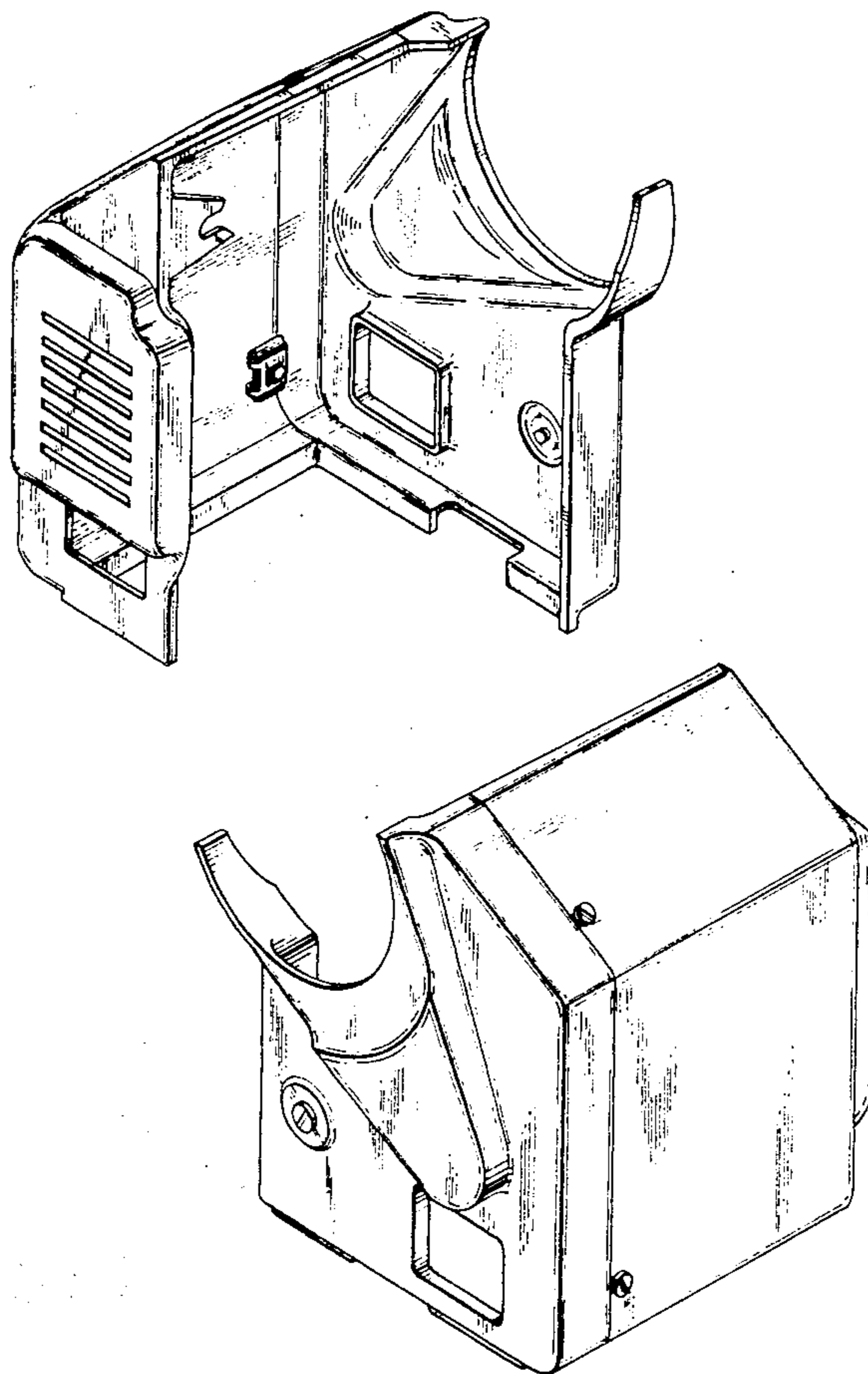
Primary Examiner—Bruce W. Dunkins
Assistant Examiner—Carmen H. Vales
Attorney, Agent, or Firm—Robert E. Smith; Edward L. Bell

[57] **CLAIM**

The ornamental design for a sewing machine motor and belt cover or similar article, substantially as shown.

DESCRIPTION

FIG. 1 is a front perspective view of a sewing machine motor and belt cover or similar article showing our new design;
FIG. 2 is a rear perspective view;
FIG. 3 is a top plan view;
FIG. 4 is a right elevational view;
FIG. 5 is a rear elevational view;
FIG. 6 is a front elevational view;
FIG. 7 is a left elevational view, and
FIG. 8 is a bottom plan view.



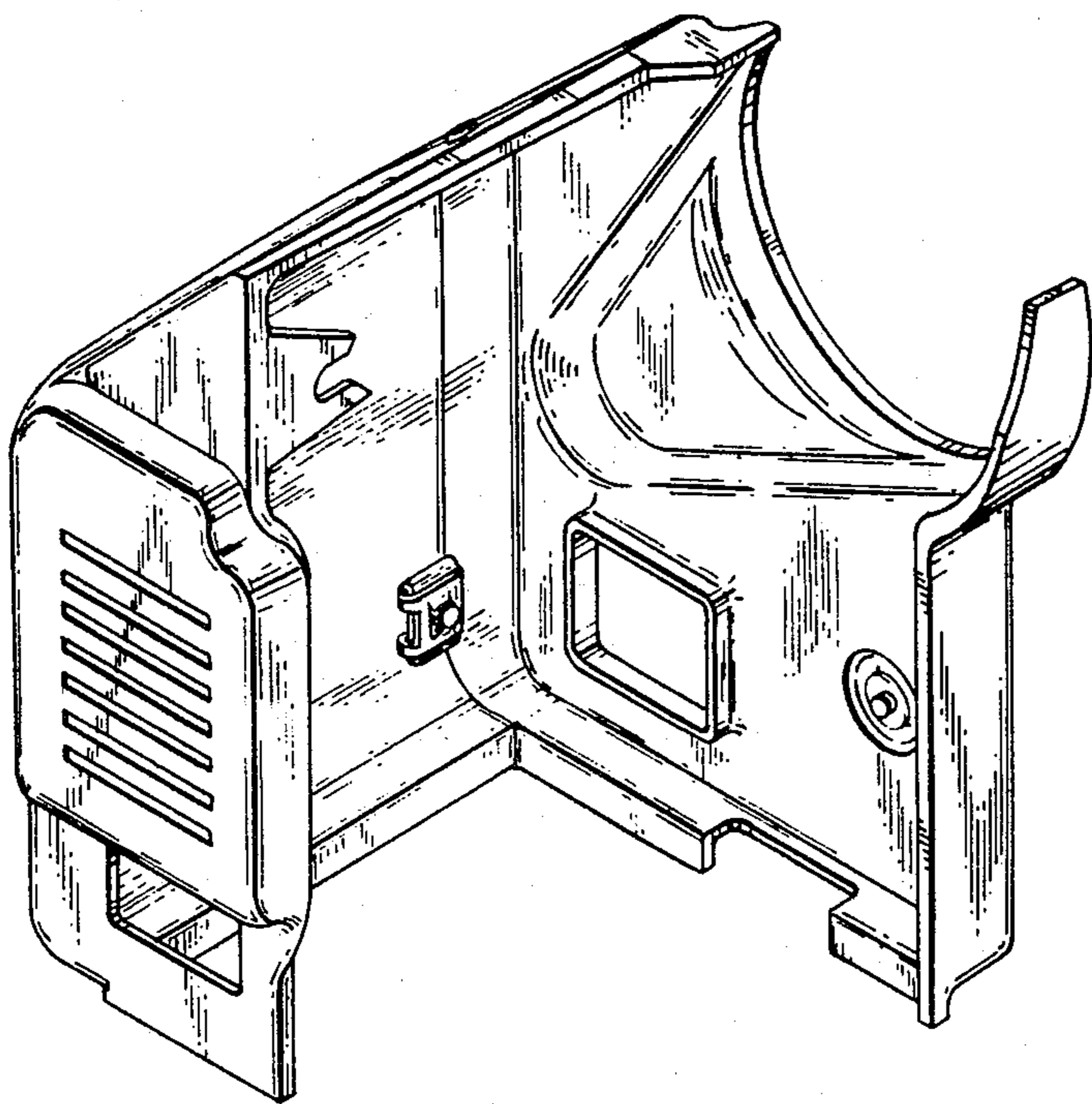


Fig. 2

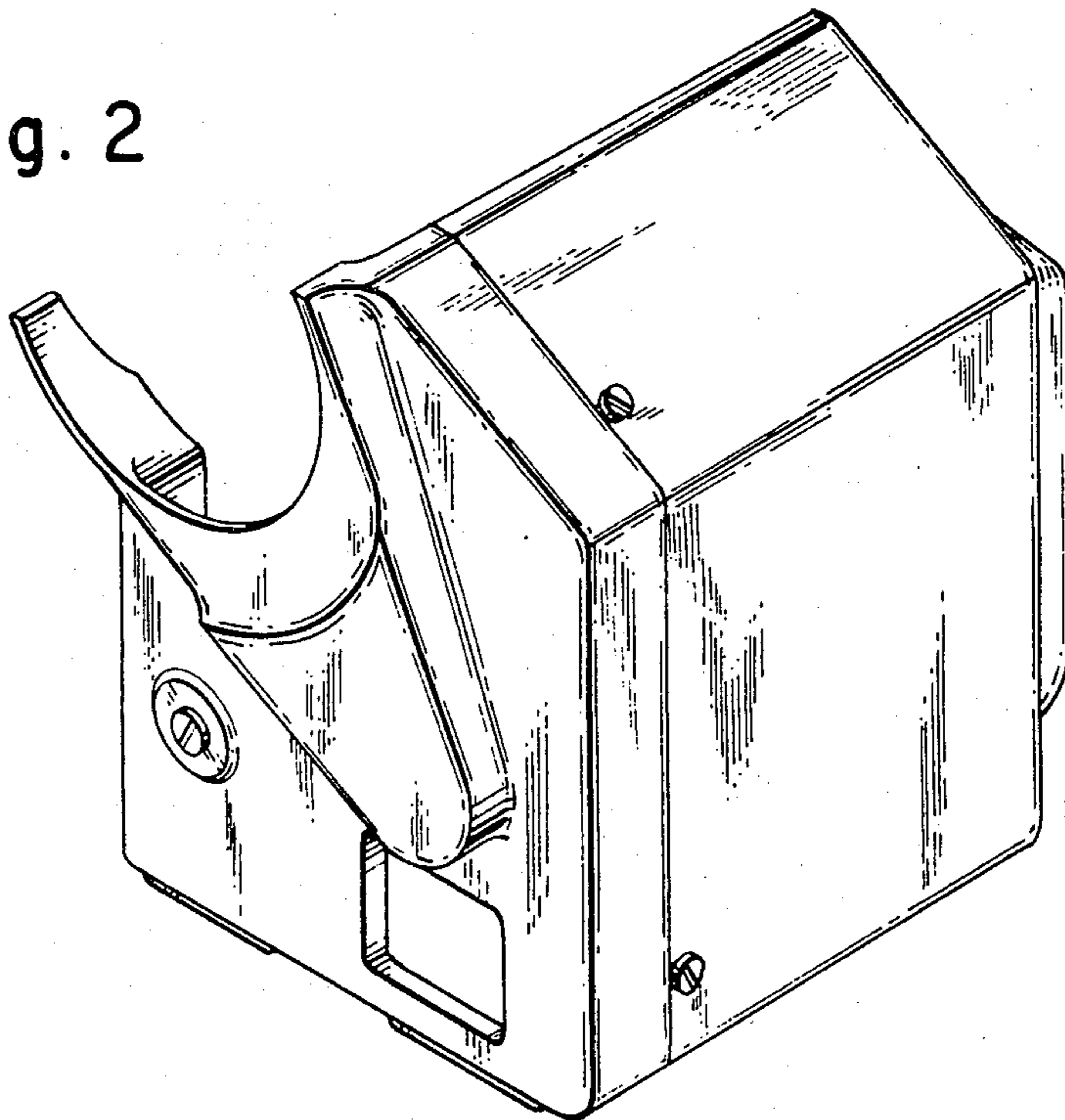


Fig. 1

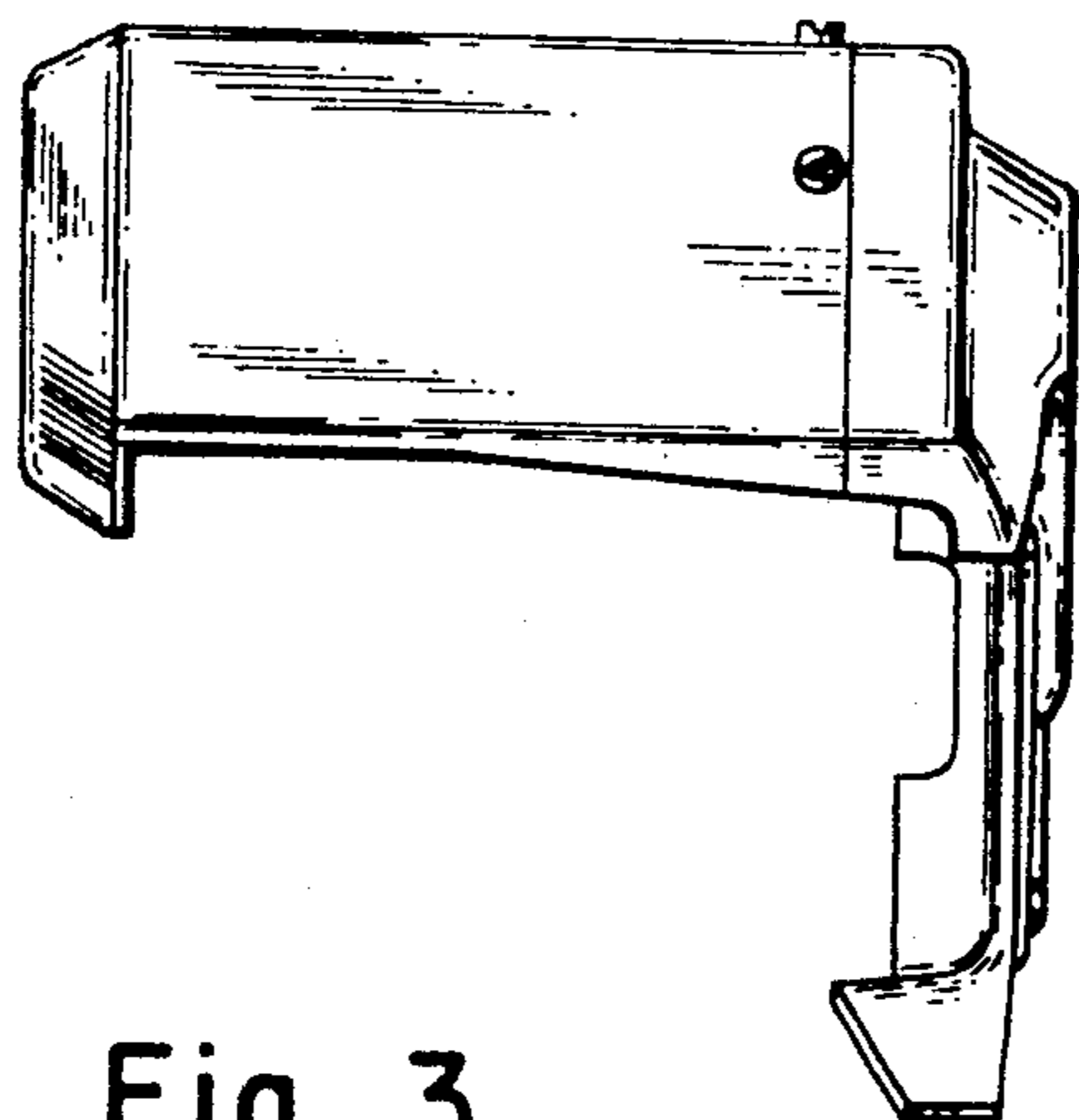


Fig. 3

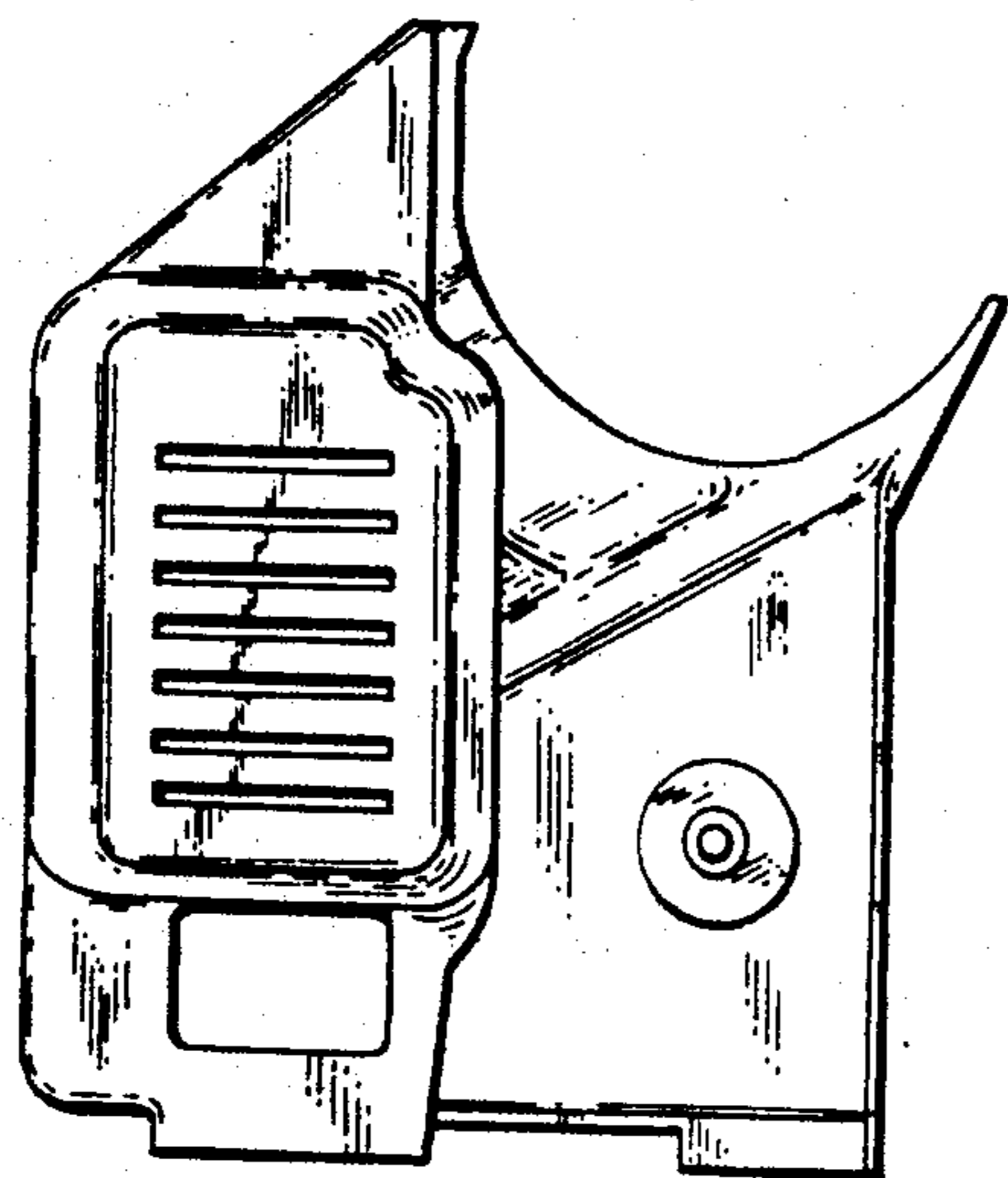


Fig. 4

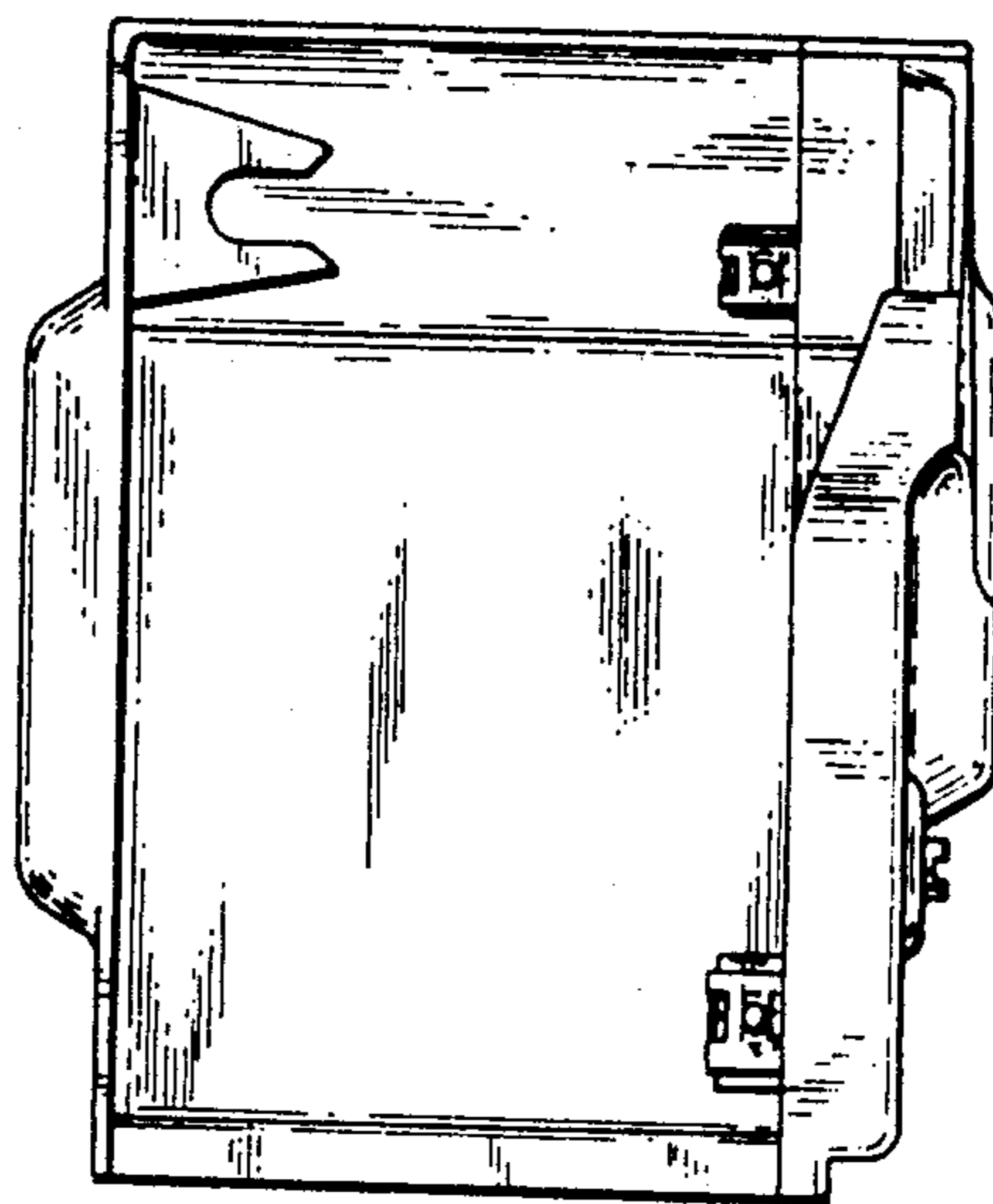


Fig. 5

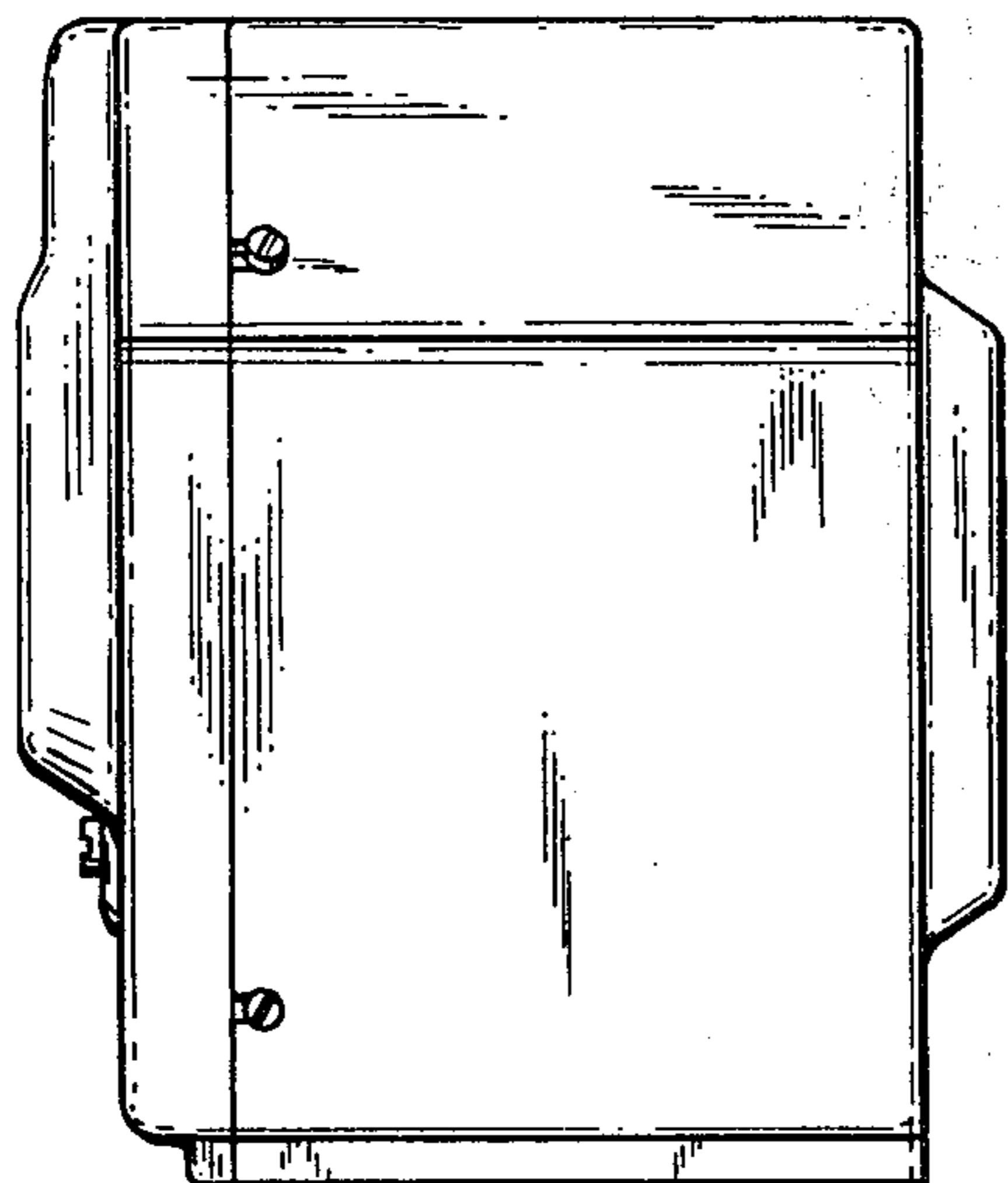


Fig. 6

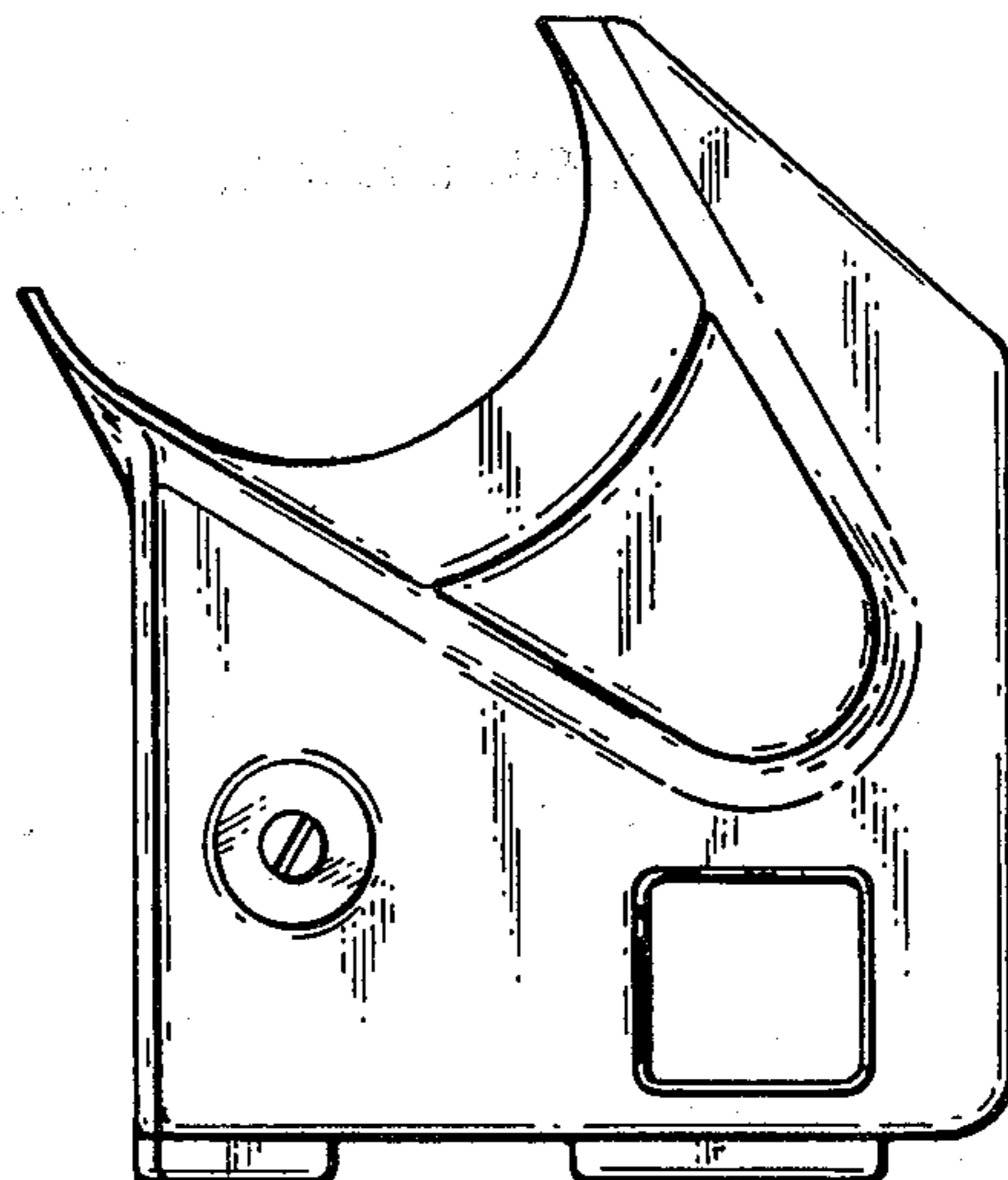


Fig. 7

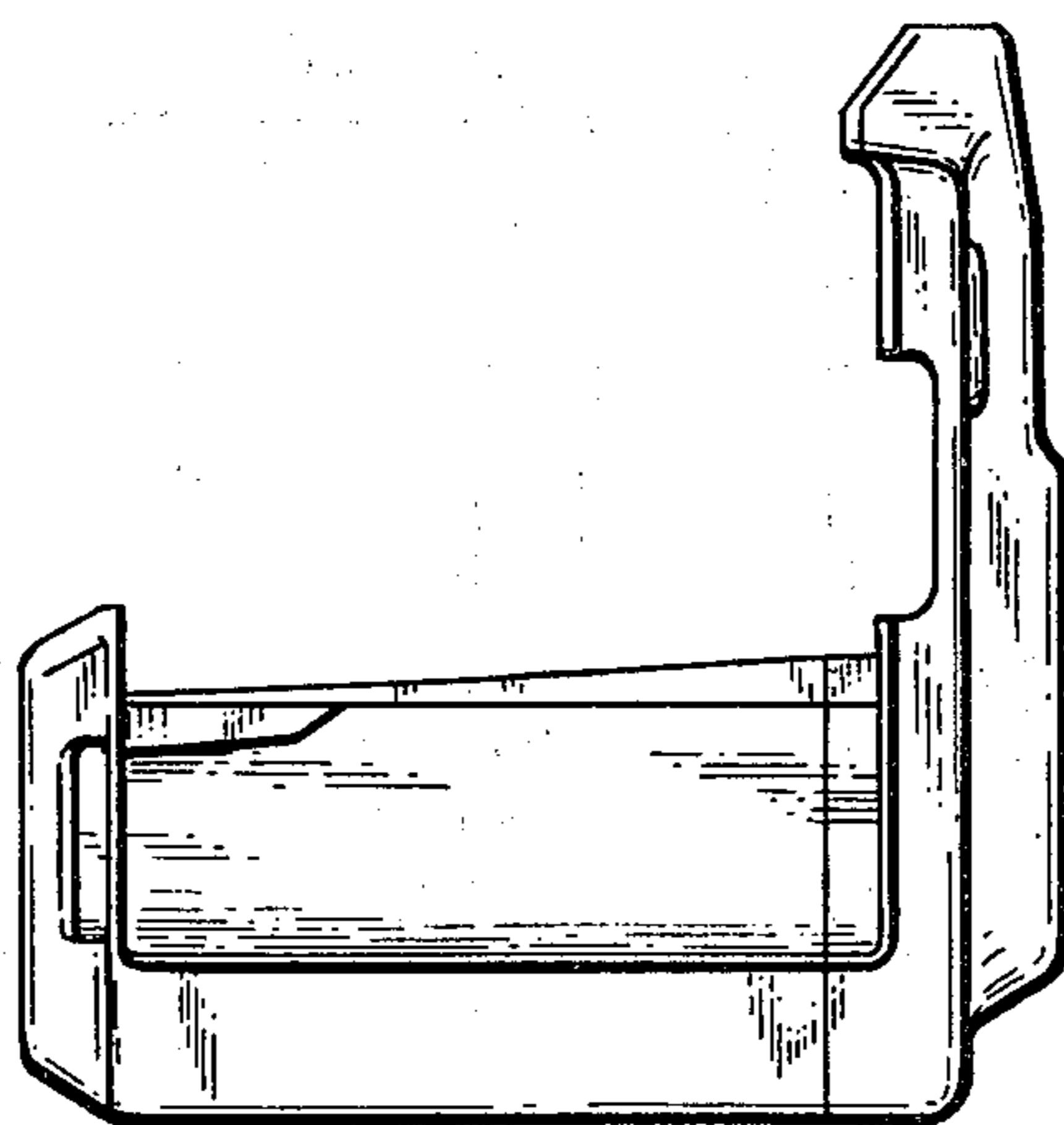


Fig. 8