

[54] **PIPE CLAMP HANGER**

[76] **Inventor: Fred Helmle, Rte. 1, Little Suamico, Wis. 54141**

[**] **Term: 14 Years**

[21] **Appl. No.: 347,901**

[22] **Filed: Feb. 11, 1982**

[52] **U.S. Cl. D8/380; D8/356**

[58] **Field of Search D8/380, 396, 373, 349, D8/356, 383; 248/65, 67.7, 68 R, 70, 58, 49**

[56] **References Cited**

U.S. PATENT DOCUMENTS

D. 164,134	7/1951	Rogant	D8/356
D. 176,976	2/1956	Crook	D8/396
D. 193,780	10/1962	Horovitz	D8/356
D. 209,167	11/1967	Huffman	D8/396
D. 226,856	5/1973	Leto	D8/396
D. 230,826	3/1974	Menshen	D8/396
D.235,849	7/1975	Hagelberg	D8/396
D. 235,851	7/1975	Kitson	D8/380
D. 269,851	7/1983	Kimura	D8/396
622,778	4/1899	Nondyke	248/70
1,260,695	3/1918	Masson	248/70
1,472,955	11/1923	Behringer	248/68 R
1,542,267	6/1925	Parker	248/68 R
1,672,476	6/1928	Tipsord et al.	248/49
1,679,168	7/1928	O'Brien	248/70

1,959,633	5/1934	Madden	248/49
2,765,136	10/1956	Knapp	248/49
3,146,982	9/1964	Budnick	248/70
3,301,514	1/1967	Sugaya	D8/396
3,568,455	3/1971	McLaughlin	248/49
3,733,429	5/1973	Borg, Jr. et al.	248/70
4,408,922	10/1983	D'Alessio	D8/396

OTHER PUBLICATIONS

Simmons Hardware Catalog, ©1939, p. 1818; adjustable shelf supports, Items BB 233/24, 36, 48.

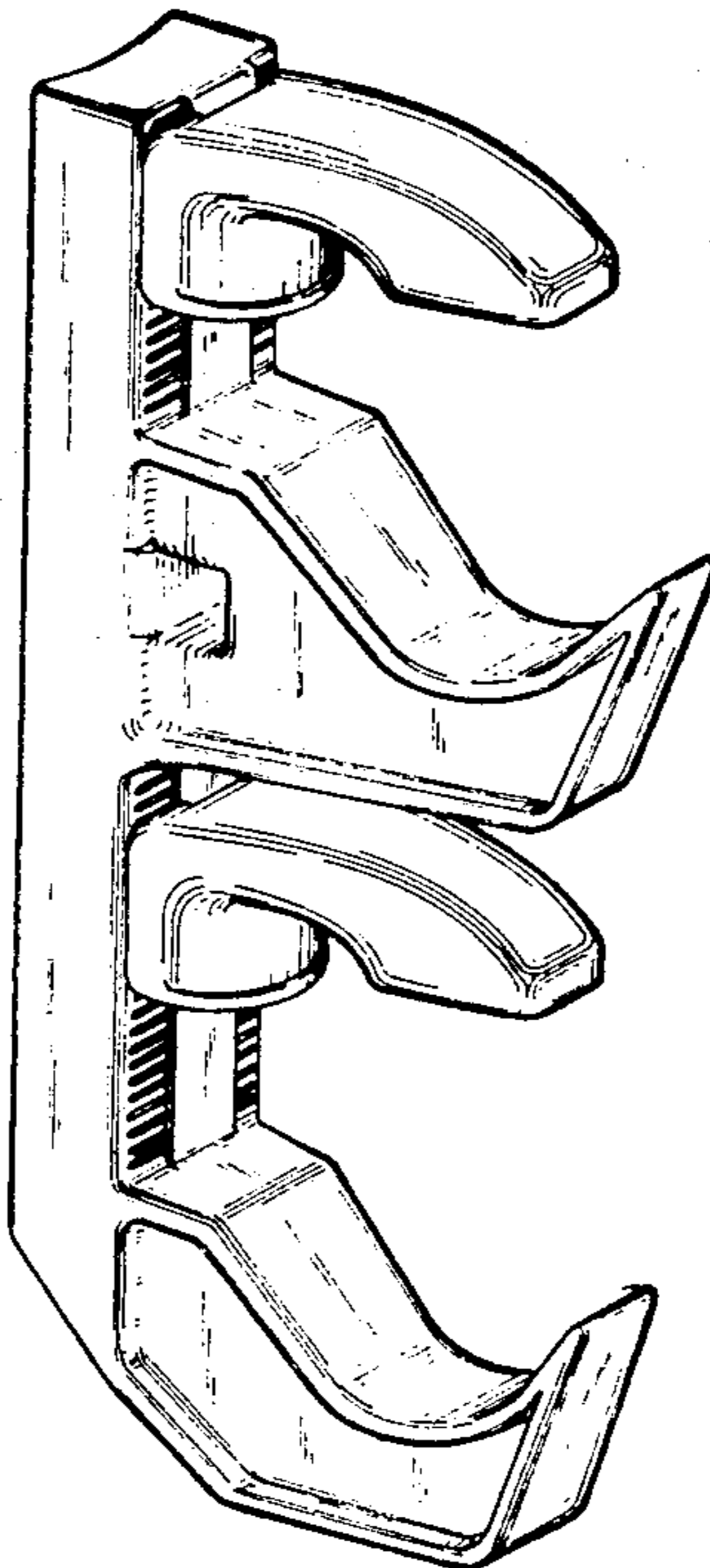
Primary Examiner—Wallace R. Burke
Assistant Examiner—Horace B. Fay
Attorney, Agent, or Firm—James E. Nilles

[57] **CLAIM**

The ornamental design for a pipe clamp hanger, substantially as shown.

DESCRIPTION

FIG. 1 is a perspective view of a pipe clamp hanger showing my new design;
 FIG. 2 is a right side elevational view of the pipe hanger, the other side of FIG. 2 being a mirror image thereof;
 FIG. 3 is a front elevational view thereof;
 FIG. 4 is a rear elevational view thereof;
 FIG. 5 is a bottom view thereof; and
 FIG. 6 is a plan view thereof.



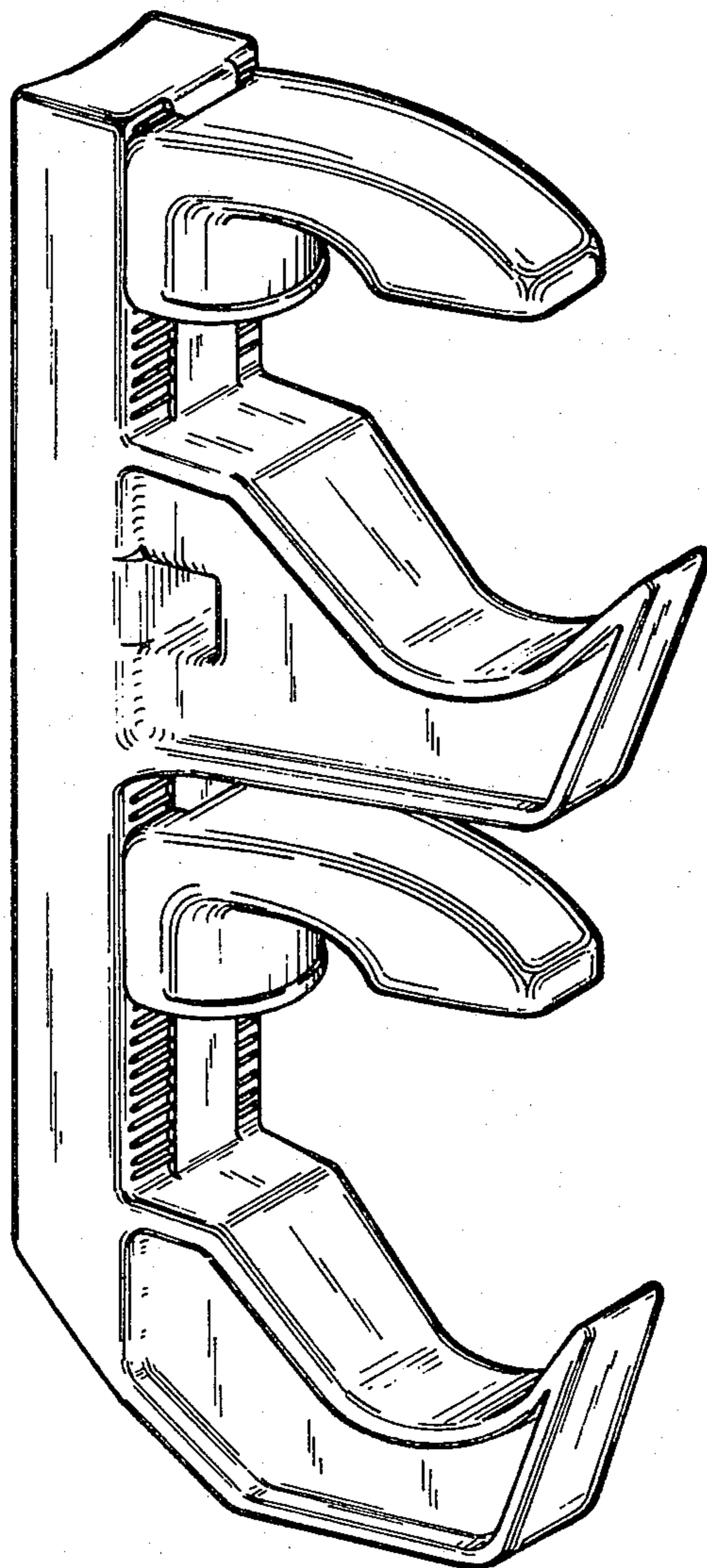


FIG. 1

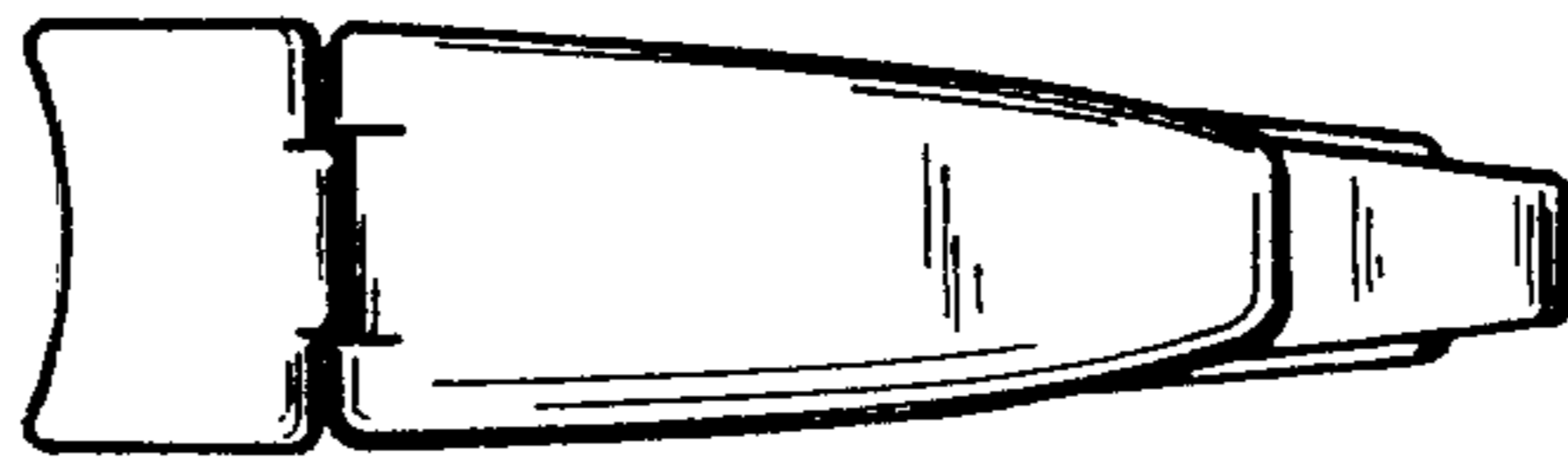


FIG. 6



FIG. 4

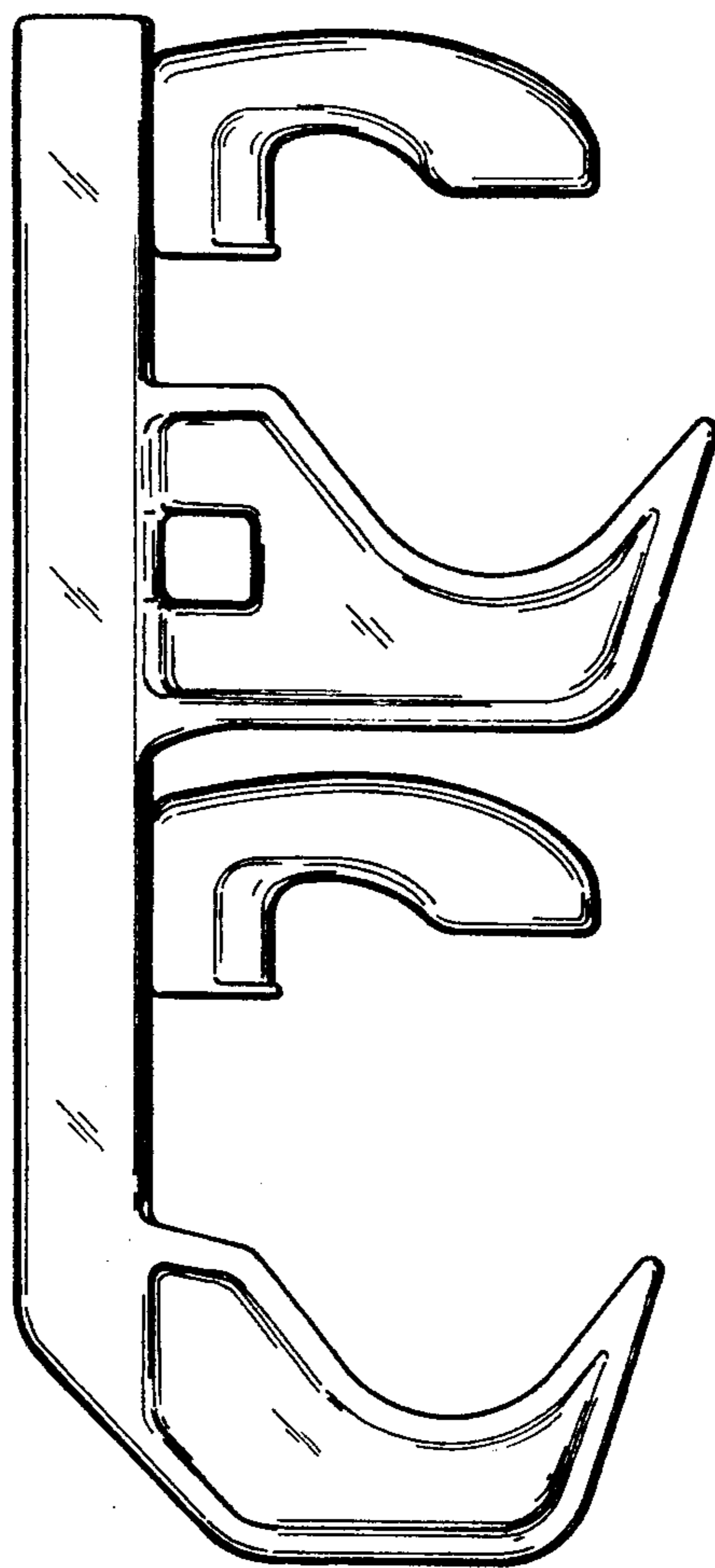


FIG. 2

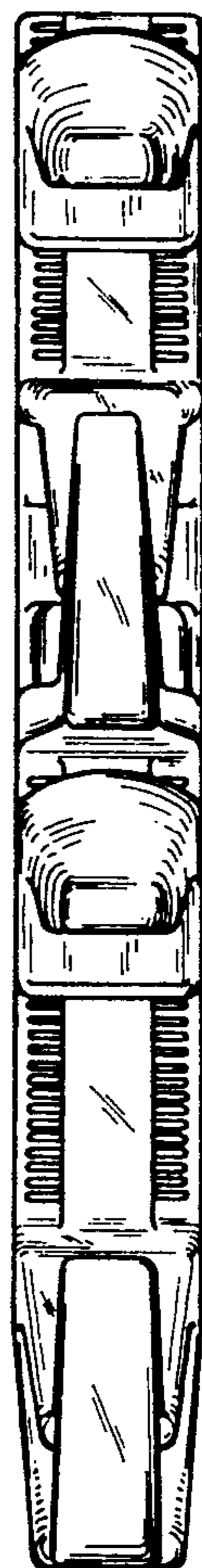


FIG. 3

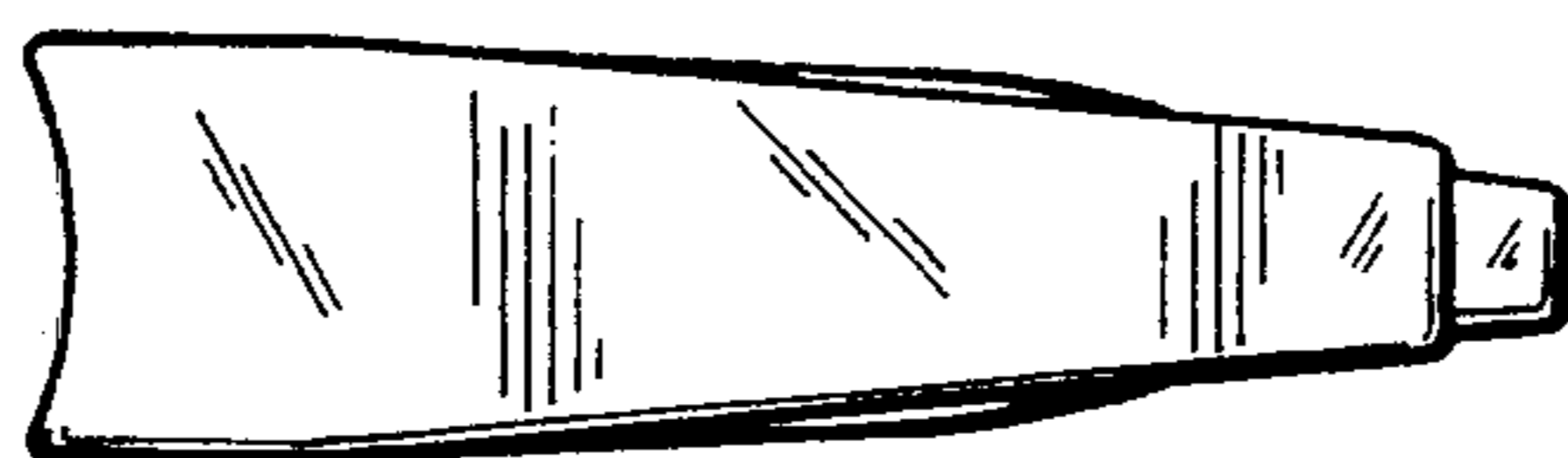


FIG. 5