

United States Patent [19]

Madl et al.

[11] Patent Number: **Des. 274,596**

[45] Date of Patent: **** Jul. 10, 1984**

[54] ICE CRUSHER

[75] Inventors: **Alfred W. Madl, Glendale; Charles J. Kirschling, Whitefish Bay, both of Wis.**

[73] Assignee: **Sunbeam Corporation, Oak Brook, Ill.**

[**] Term: **14 Years**

[21] Appl. No.: **282,681**

[22] Filed: **Jul. 13, 1981**

[52] U.S. Cl. **D7/374**

[58] Field of Search **D7/374; 241/DIG. 17, 241/91, 92, 100, 257 R**

[56] **References Cited**

U.S. PATENT DOCUMENTS

D. 186,420 10/1959 Mango D7/374
D. 205,430 8/1966 Madl et al. D7/374

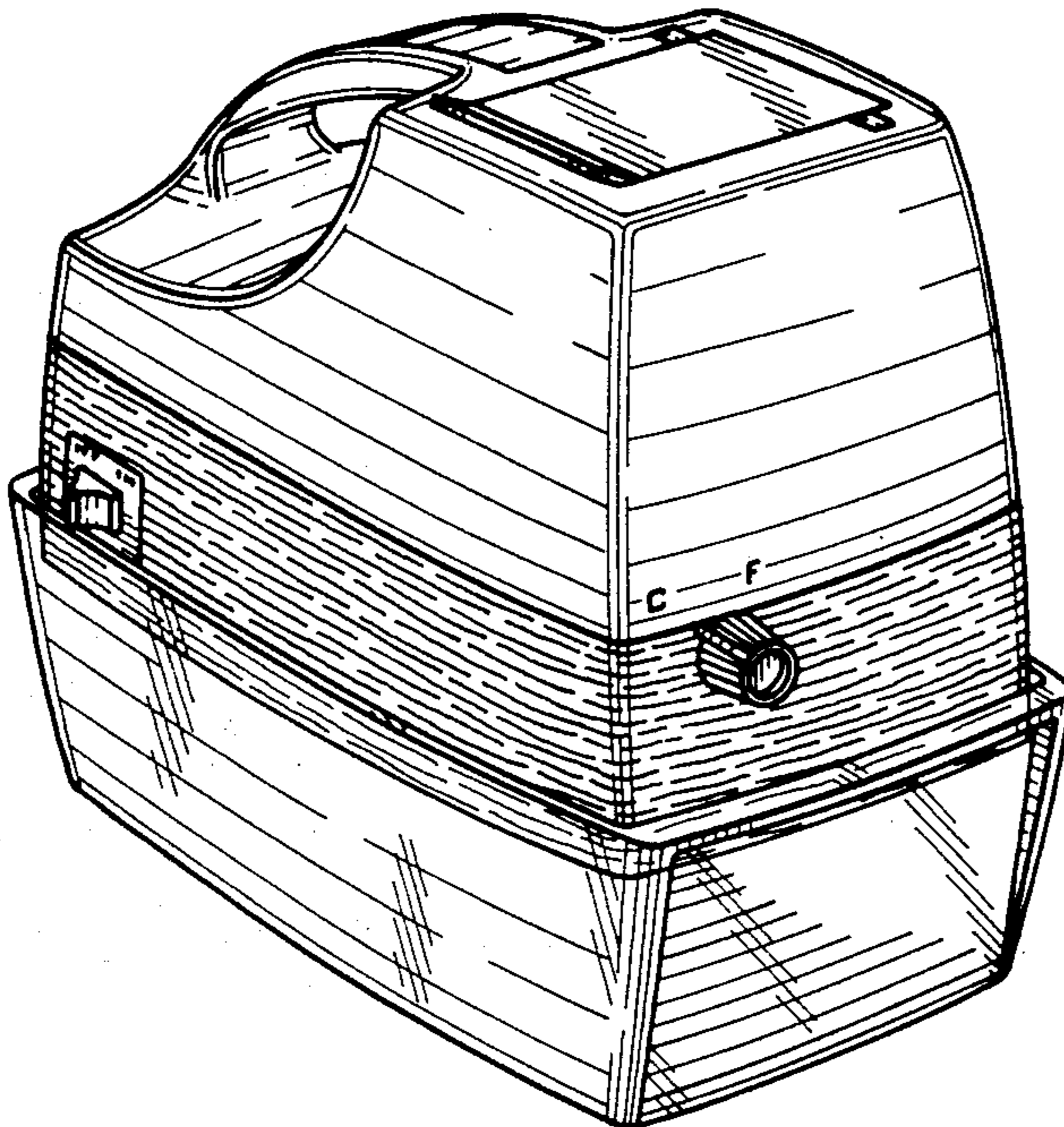
Primary Examiner—Wallace R. Burke
Assistant Examiner—Lynn Wilder
Attorney, Agent, or Firm—Neil M. Rose; Clifford A. Dean; Robert J. Fox

[57] **CLAIM**

The ornamental design for an ice crusher, as shown.

DESCRIPTION

FIG. 1 is a perspective view of an ice crusher embodying our new design;
FIG. 2 is a right-side elevational view thereof;
FIG. 3 is a front elevational view thereof;
FIG. 4 is a left-side elevational view thereof;
FIG. 5 is a rear elevational view thereof;
FIG. 6 is a top plan view thereof; and
FIG. 7 is a bottom plan view thereof.



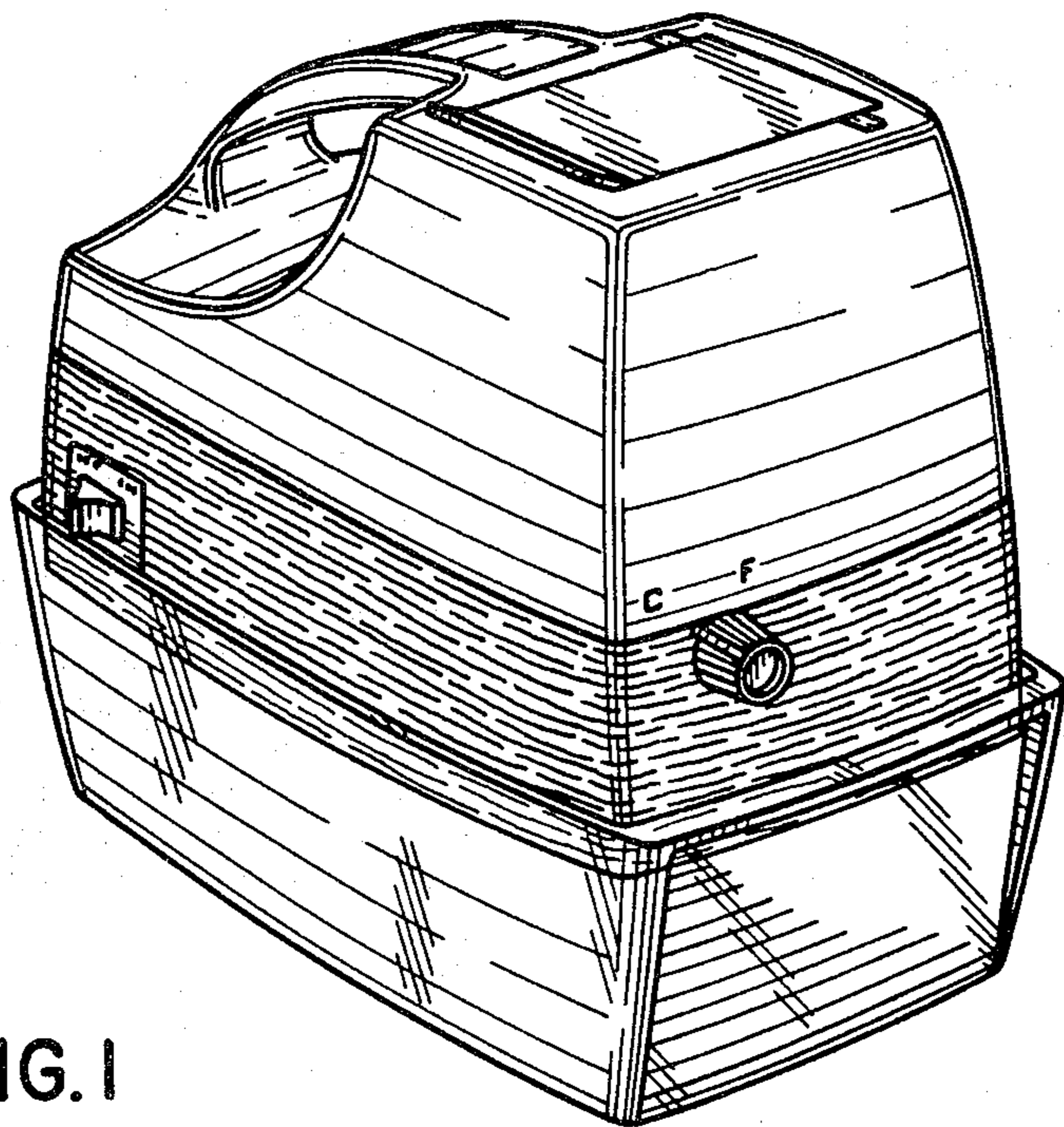


FIG. 1

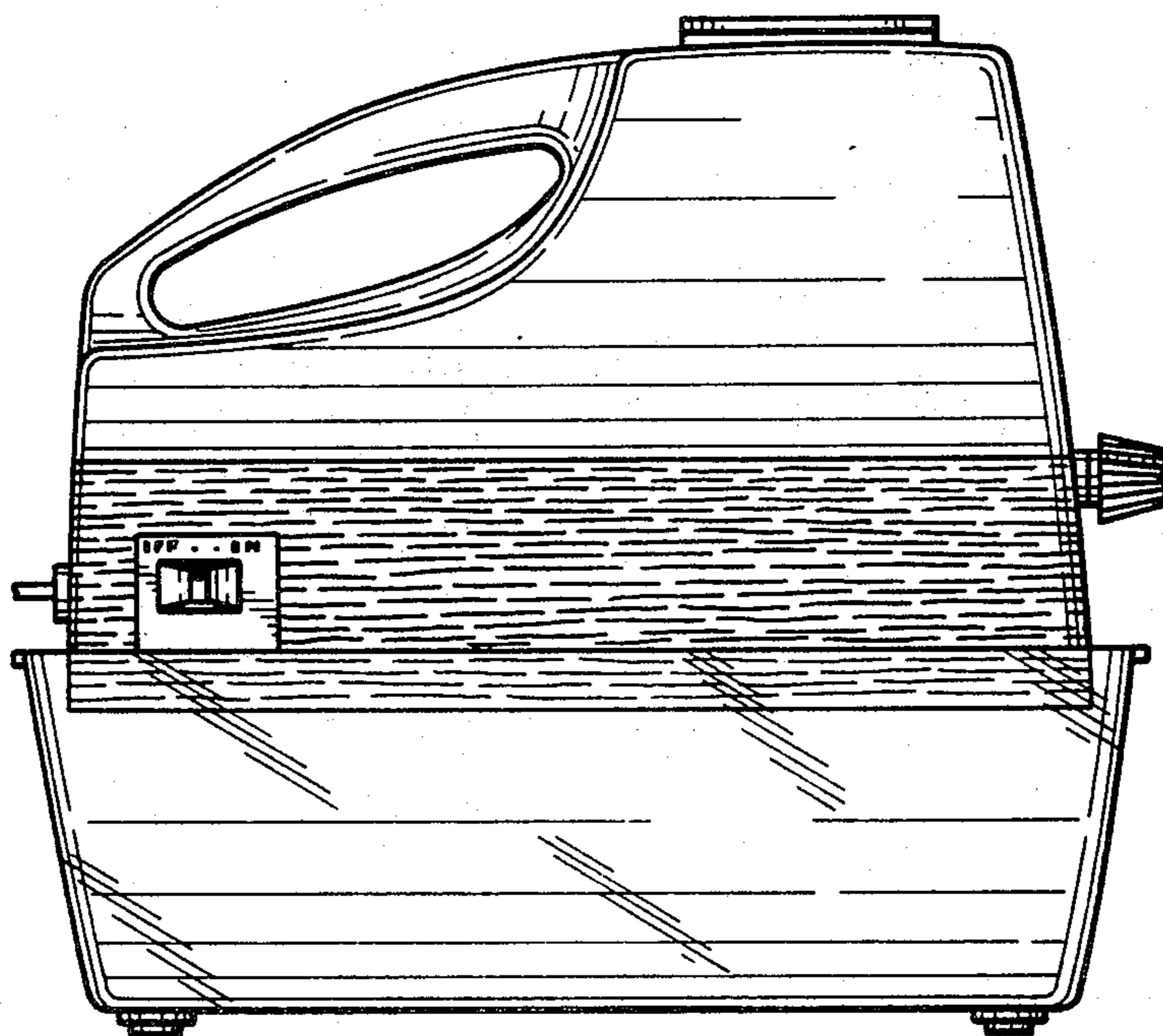


FIG. 2

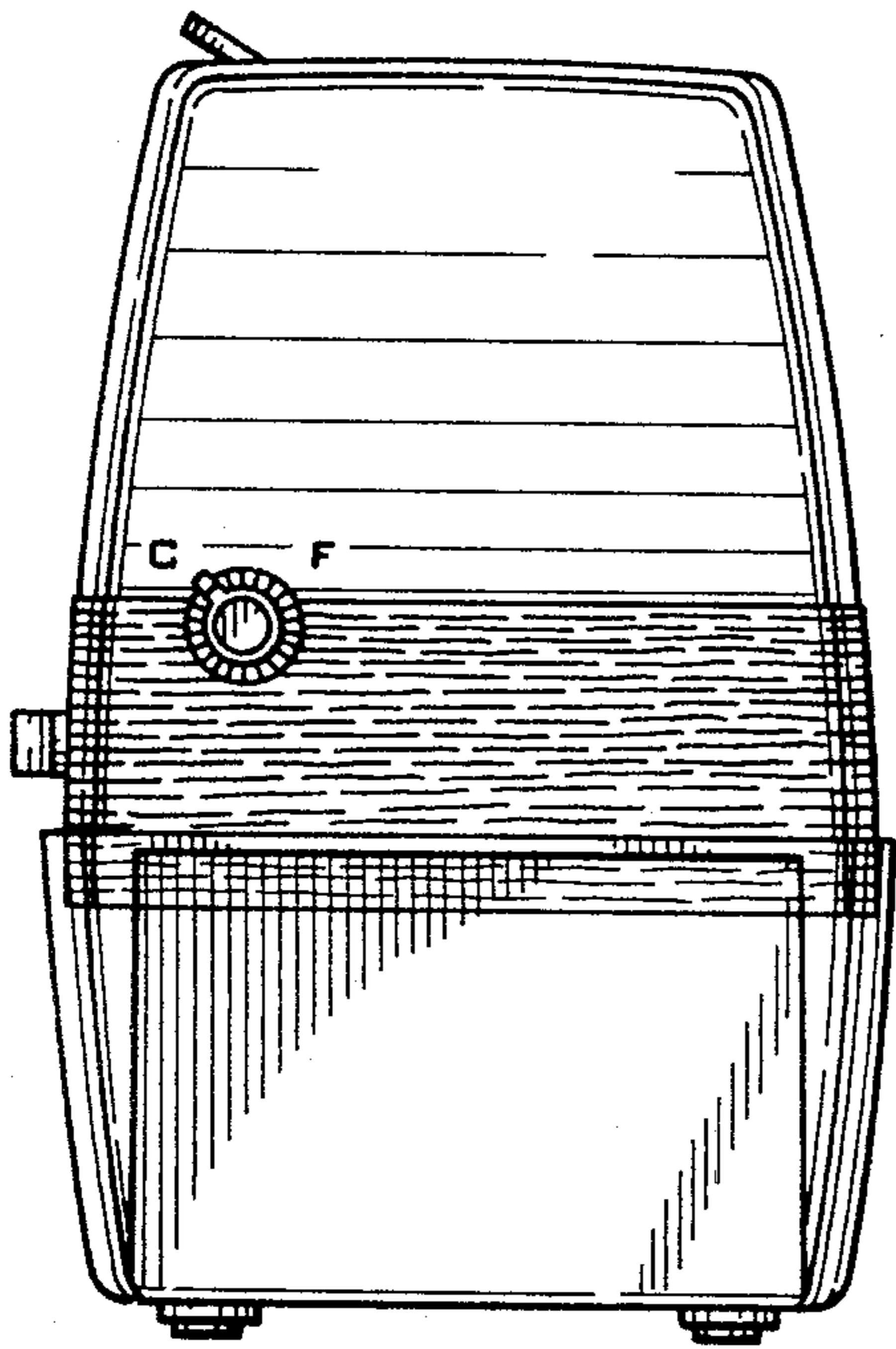


FIG. 3

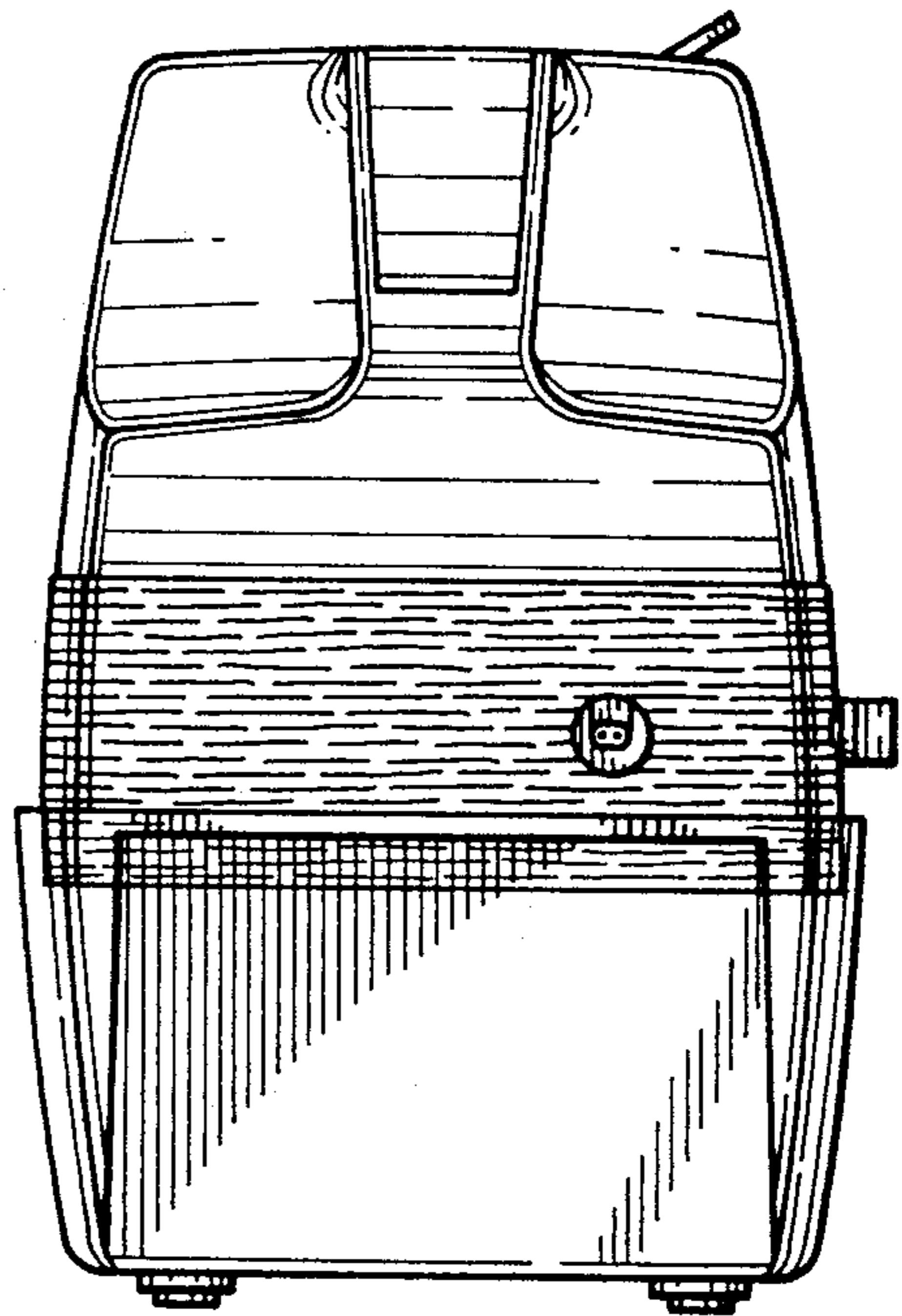


FIG. 5

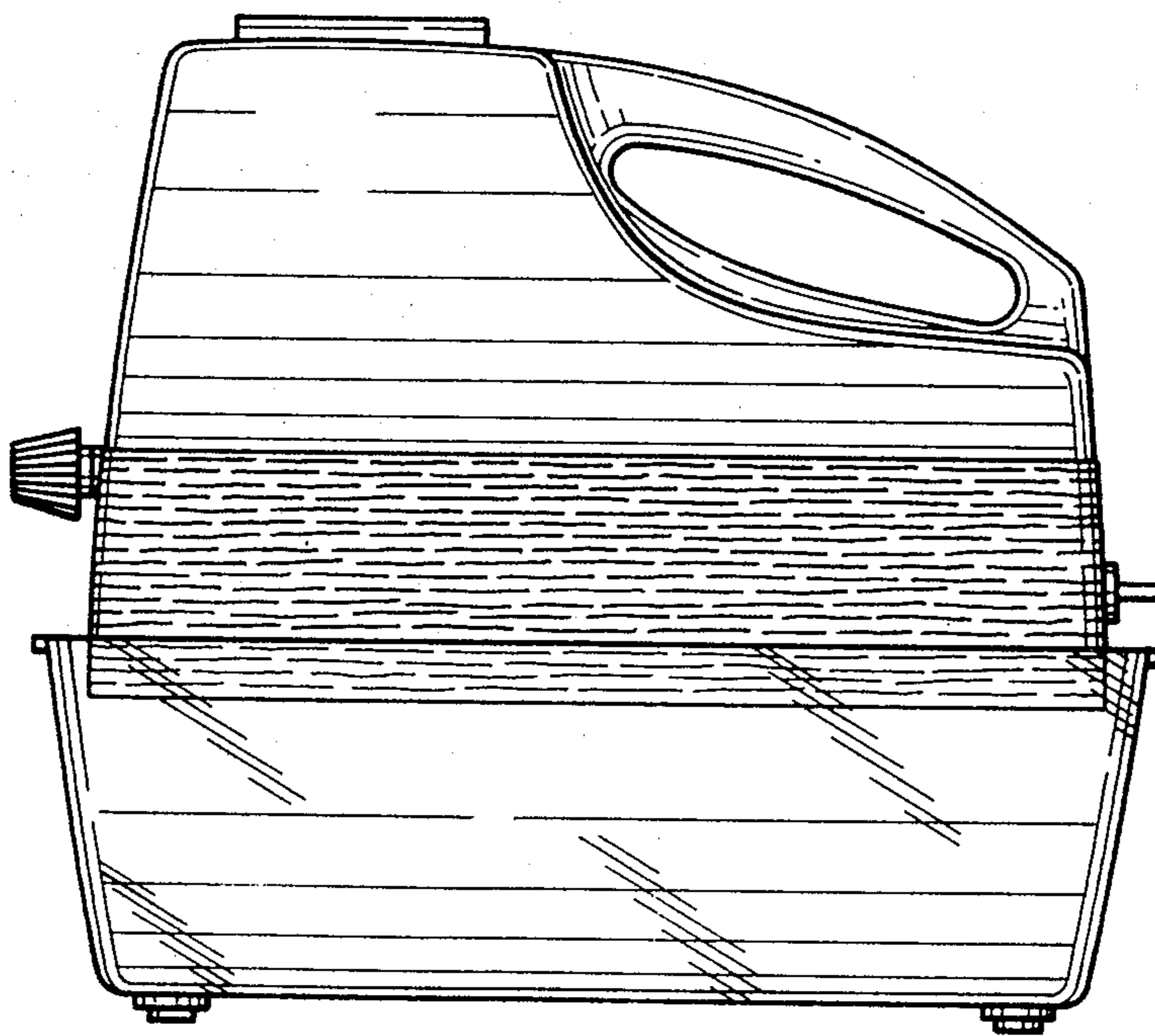


FIG. 4

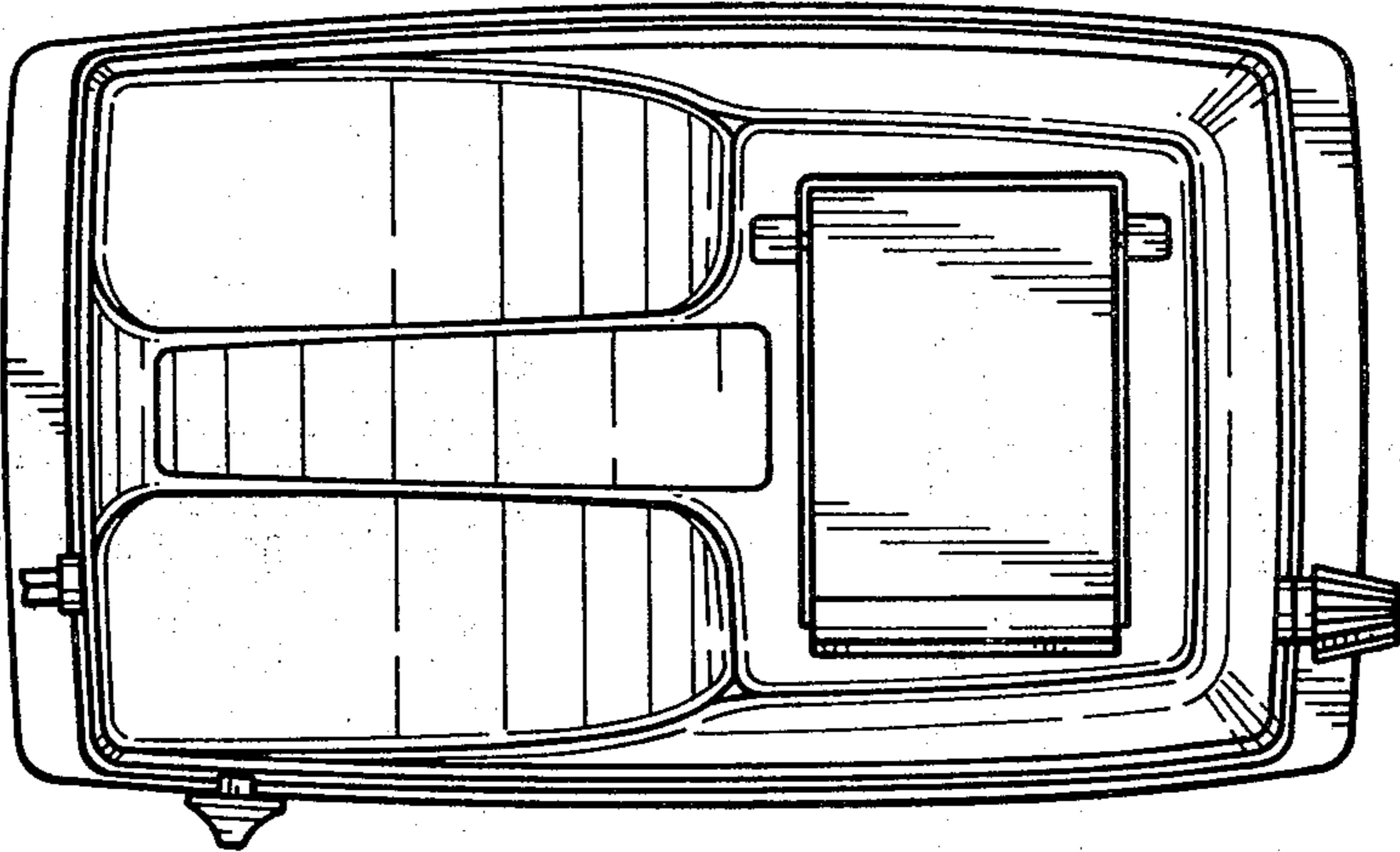


FIG. 6

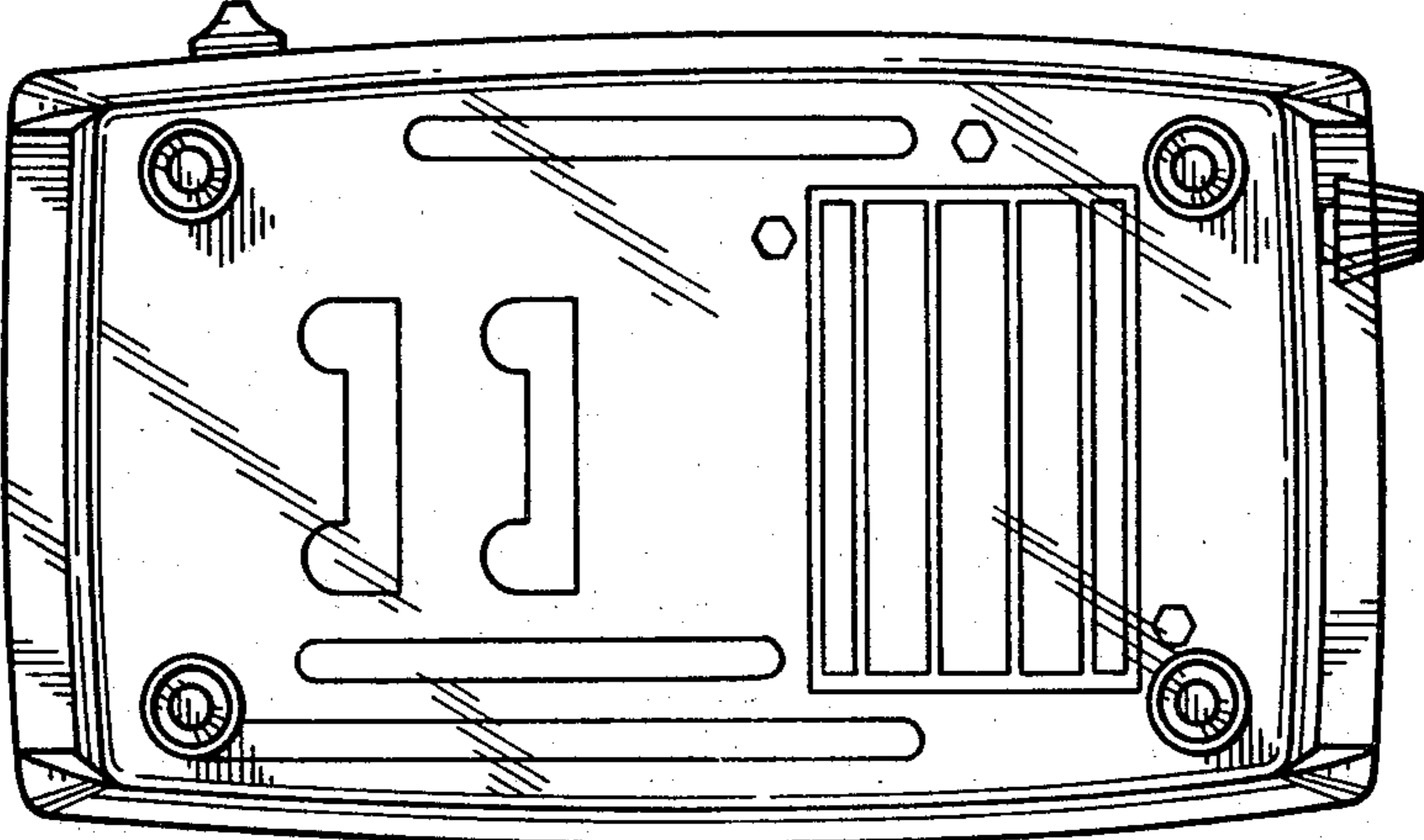


FIG. 7