

[54] TEA KETTLE WITH PIVOTED WHISTLE CAP

[75] Inventor: Sam Lebowitz, New York, N.Y.

[73] Assignee: Copco, Inc., Secaucus, N.J.

[**] Term: 14 Years

[21] Appl. No.: 301,051

[22] Filed: Sep. 10, 1981

[52] U.S. Cl. D7/322

[58] Field of Search D7/300-303,
D7/312, 314, 316-322

[56] References Cited

U.S. PATENT DOCUMENTS

D. 141,749	7/1945	Brown	D7/312
D. 148,348	1/1948	Brannon	D7/321
D. 192,016	1/1962	Cronheim	D7/322
D. 218,635	9/1970	Lax	D7/322

OTHER PUBLICATIONS

Goldschmiede Zeitung, Sep. 1977, p. 56, top of page, Metal Tea Pot with pivoted type handle.
Bloomington's-ABC's of Easy Living Cat., p. 14 of center booklet, item B-Le Creuset Tea Kettle-flat handle on rounded pot, bottom center.

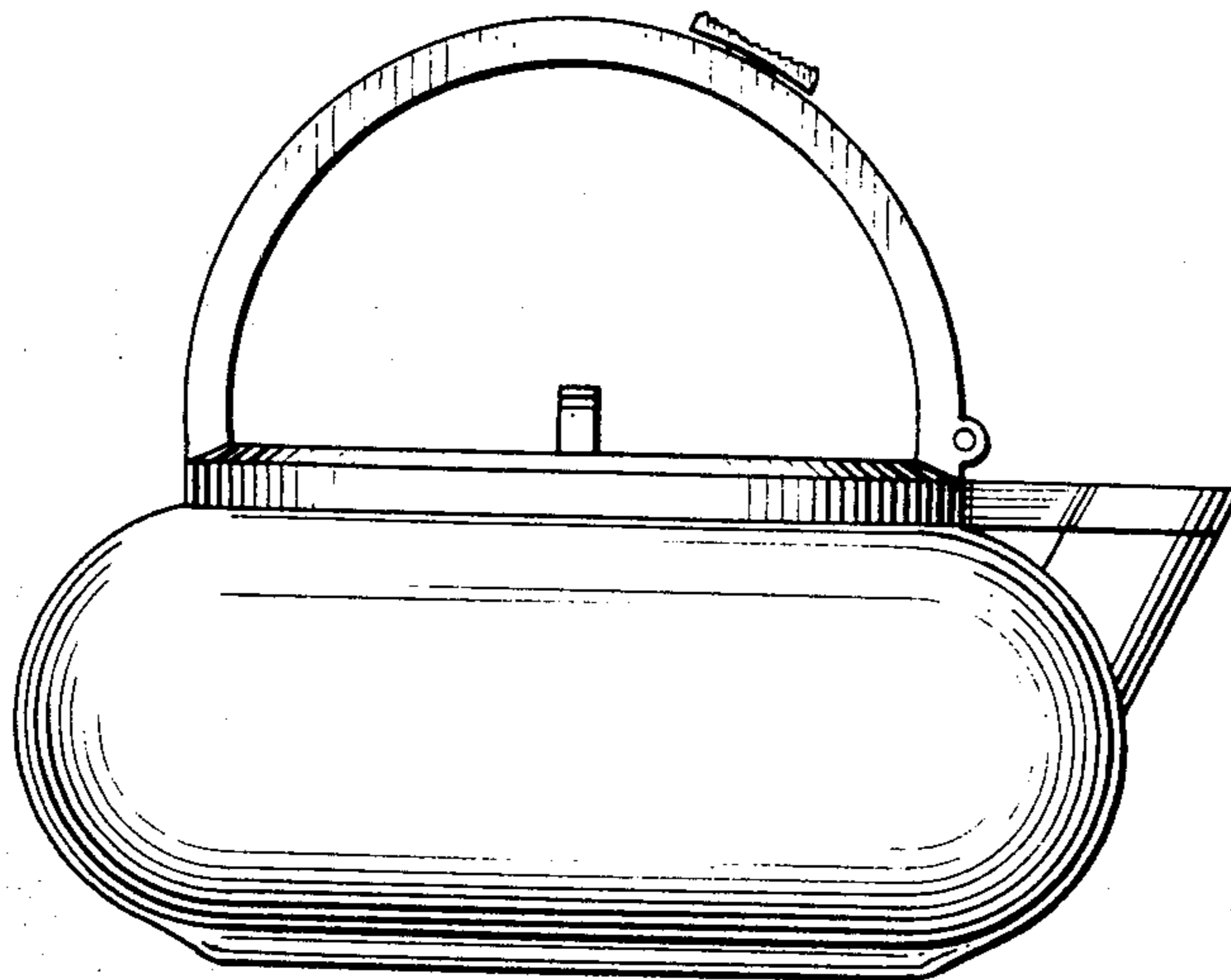
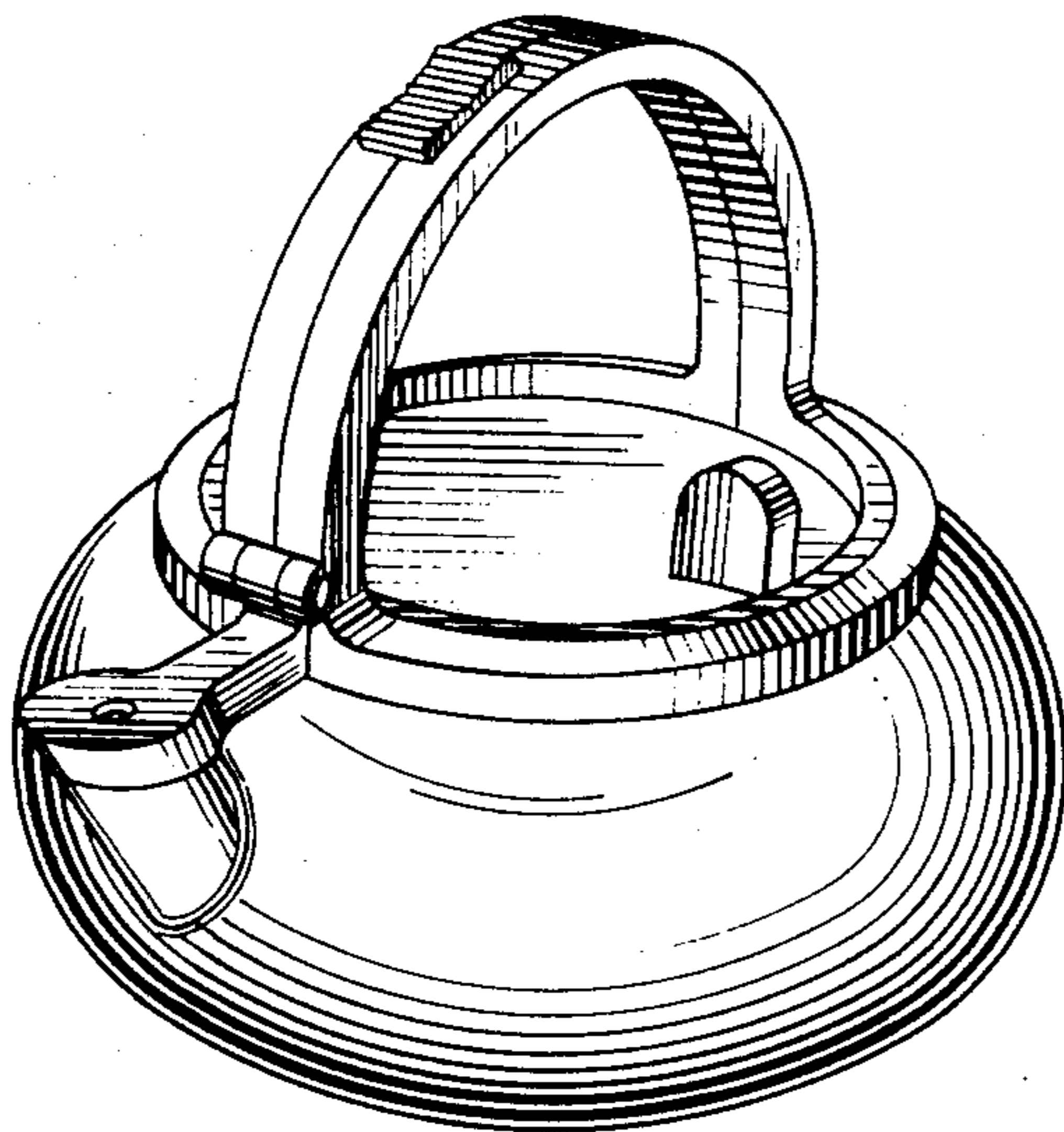
Primary Examiner—Winifred E. Herrmann
Attorney, Agent, or Firm—Michael Ebert

[57] CLAIM

The ornamental design for a tea kettle with pivoted whistle cap, as shown and described.

DESCRIPTION

FIG. 1 is a top front perspective view of a tea kettle with pivoted whistle cap showing my new design; FIG. 2 is a left side elevational view thereof; FIG. 3 is a top plan view thereof; FIG. 4 is a front elevational view thereof; and FIG. 5 is a rear elevational view thereof.



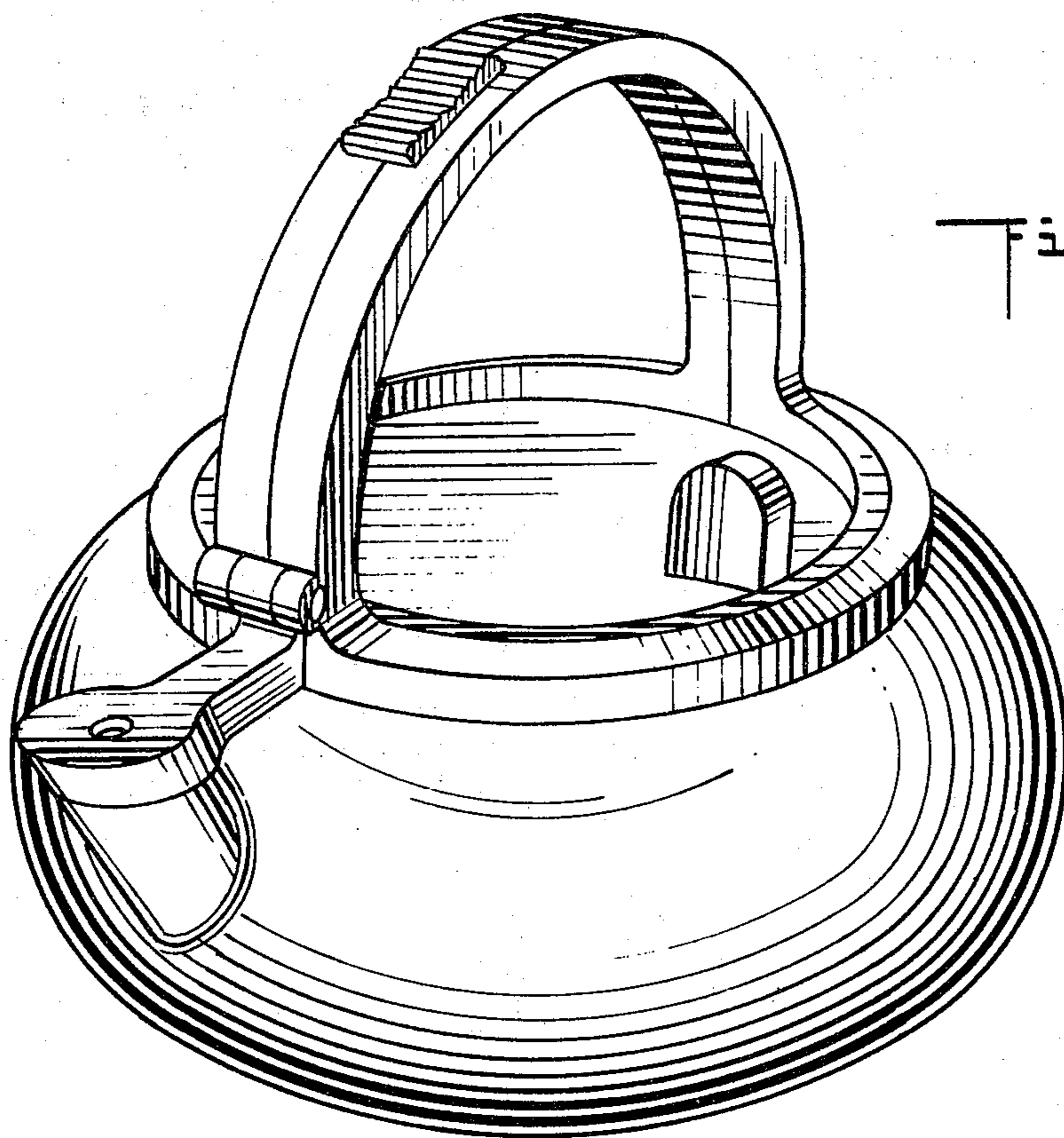


Fig. 1.

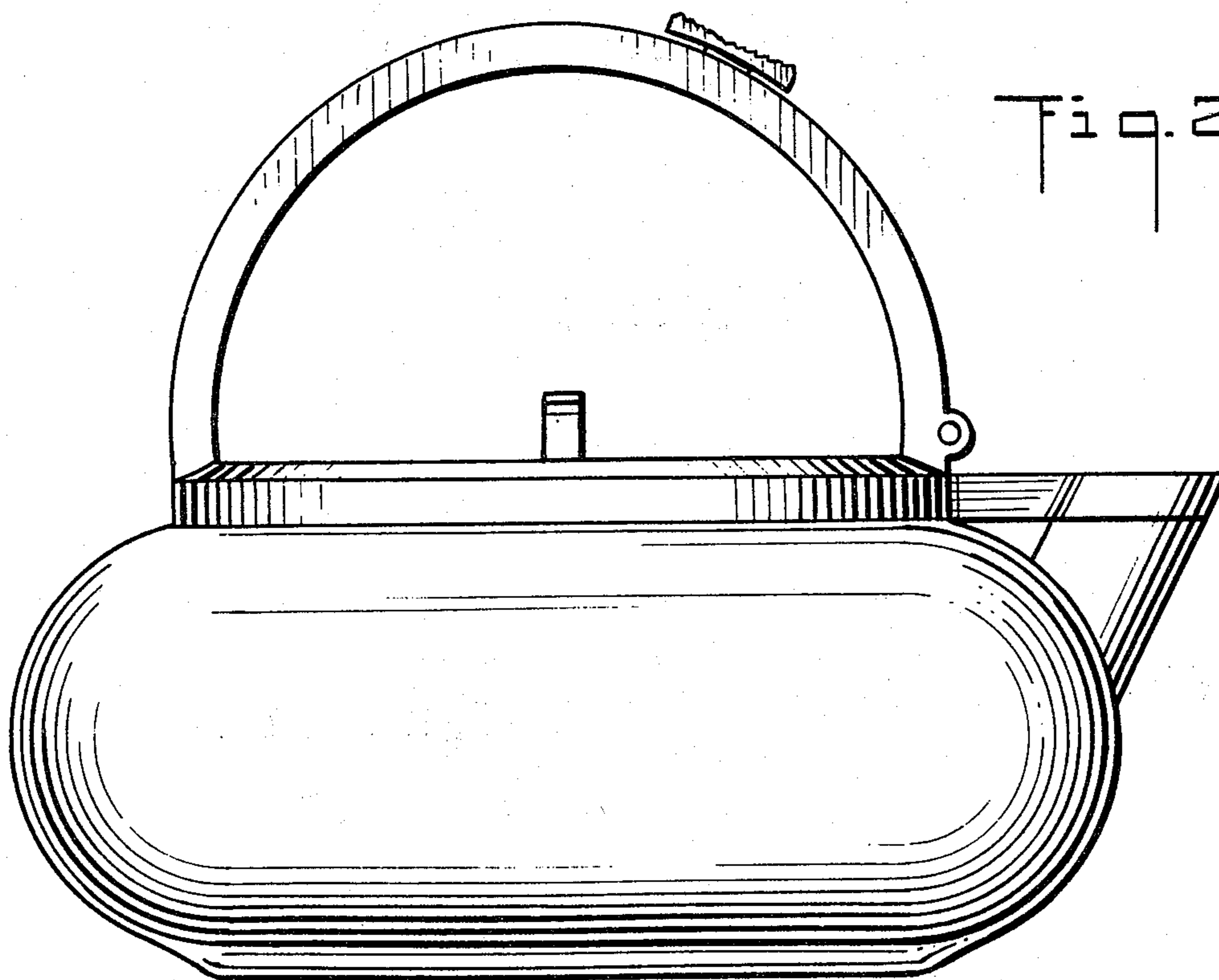


Fig. 2.

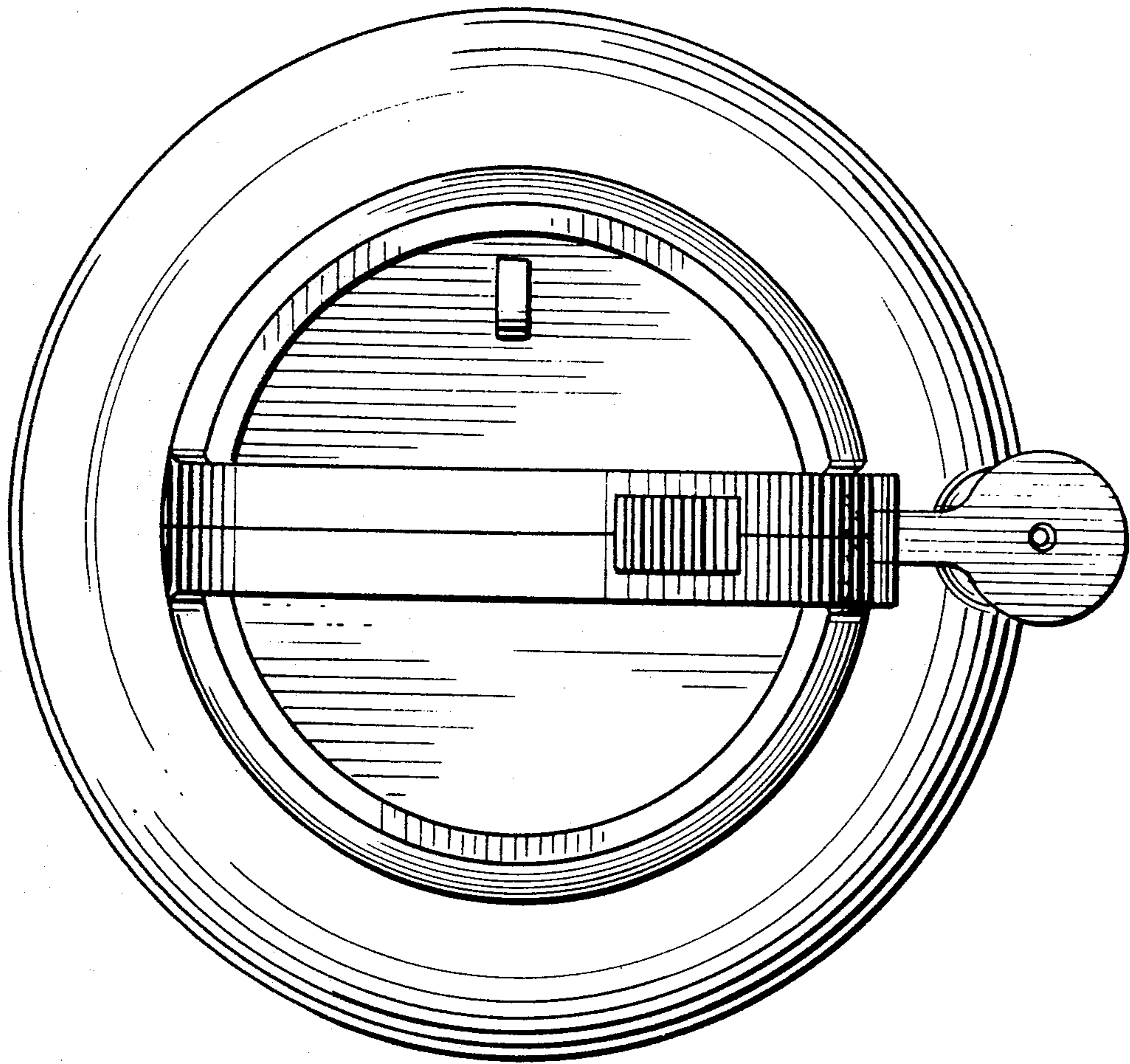


Fig. 3.

Fig. 4.

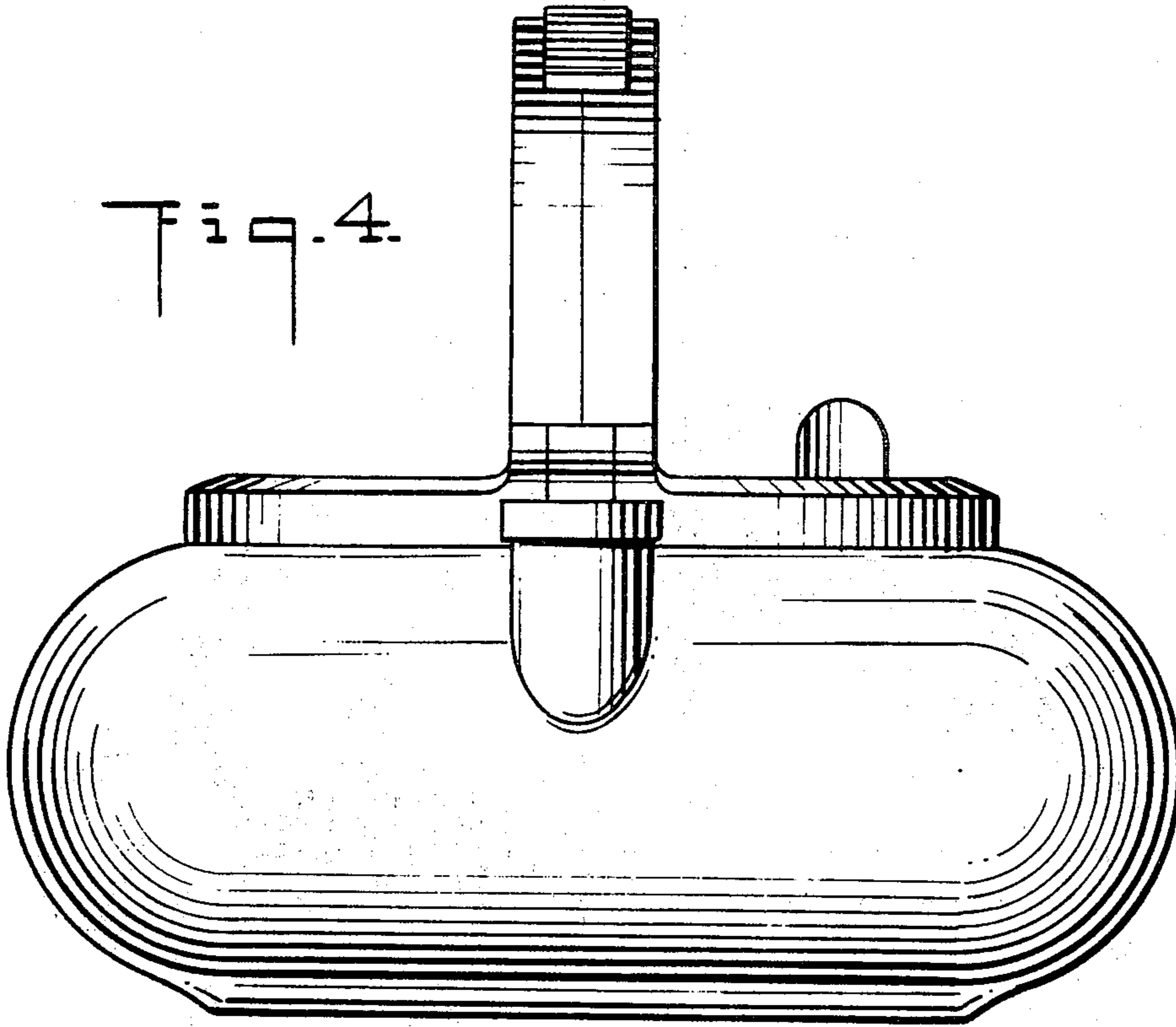


Fig. 5.

