

[54] TEA KETTLE

[75] Inventor: Sam Lebowitz, New York, N.Y.

[73] Assignee: Copco, Inc., Secaucus, N.J.

[**] Term: 14 Years

[21] Appl. No.: 301,050

[22] Filed: Sep. 10, 1981

[52] U.S. Cl. D7/320

[58] Field of Search D7/300-303,
D7/312, 314, 316-322

[56] References Cited

U.S. PATENT DOCUMENTS

D. 148,348 1/1948 Brannon D7/321

OTHER PUBLICATIONS

Goldschmiede Zeitung, Sep., 1977, p. 56, top of page,
Metal Tea Pot with Pivoted Type Handle.

Bloomingtondale's, Cat., p. 13, Copco, Item 5, Colorful
Kettles, Enamel on Steel, Teak Type Handle and Knob.
Bloomingtondale's-ABC's of Easy Living Cat., p. 14 of Cen-
ter Booklet, Item B, Le Creuset Tea Kettle-Flat Handle
on Rounded Pot, bottom center.

Primary Examiner—Winifred E. Herrmann
Attorney, Agent, or Firm—Michael Ebert

[57] CLAIM

The ornamental design for a tea kettle, as shown and
described.

DESCRIPTION

FIG. 1 is a top front perspective view of a tea kettle
showing my new design;
FIG. 2 is a left side elevational view thereof;
FIG. 3 is a top plan view thereof;
FIG. 4 is a front elevational view thereof;
FIG. 5 is a rear elevational view thereof; and
FIG. 6 is a fragmentary sectional view thereof on a
enlarged scale taken on line 6—6 of FIG. 2, the handle
having been omitted for convenience of illustration.
The bottom of the design is flat.

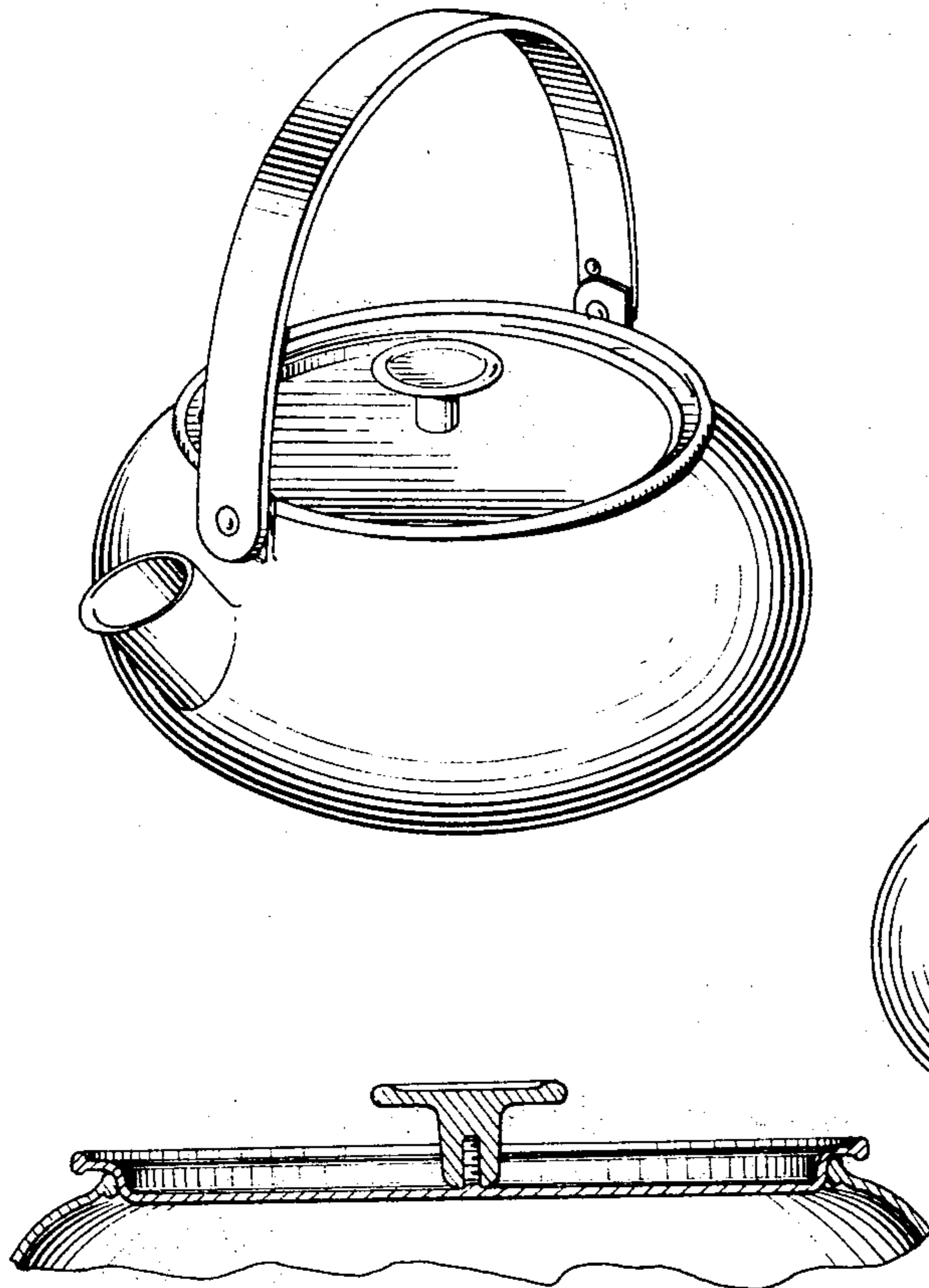


Fig. 1.

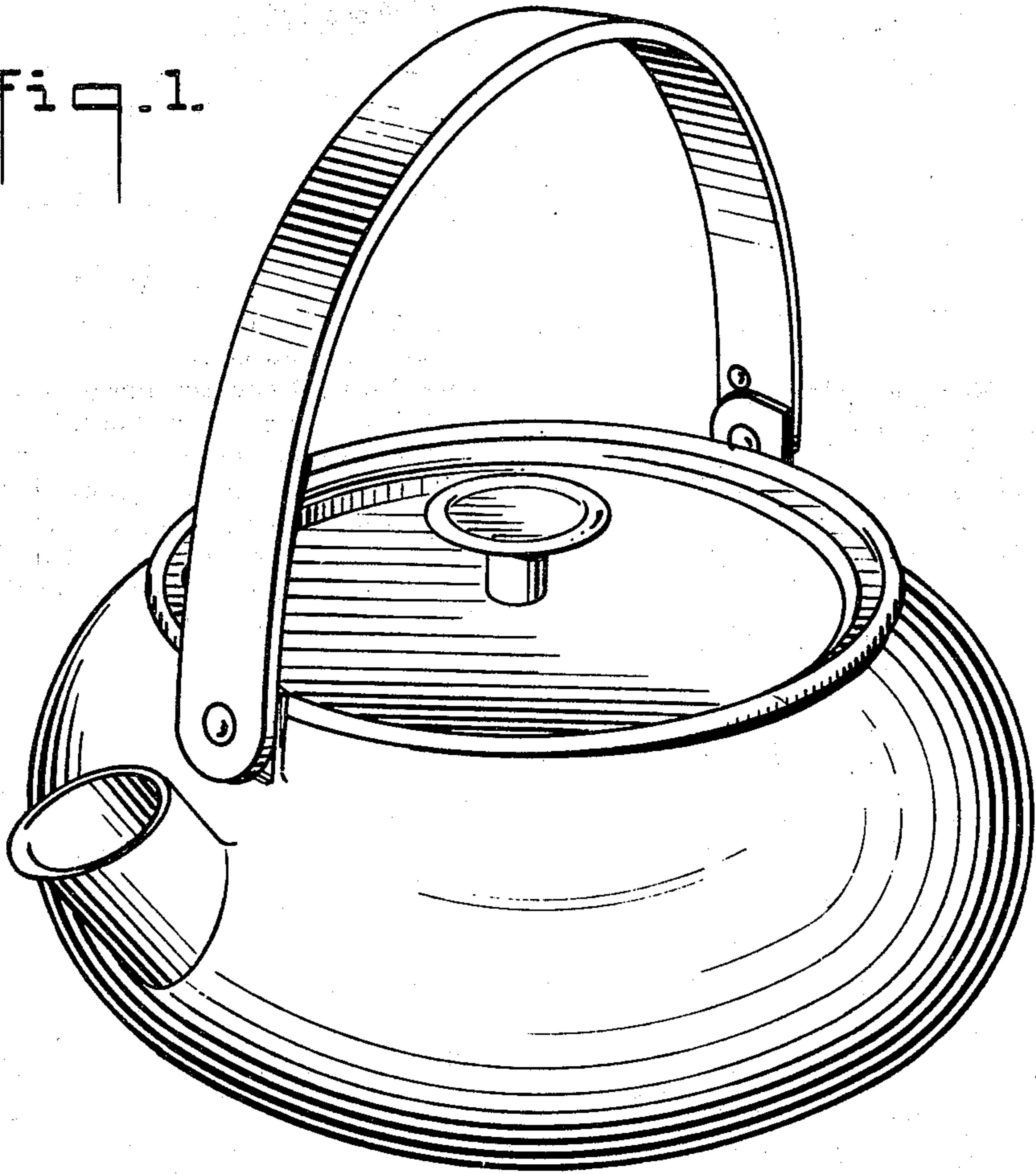


Fig. 6.

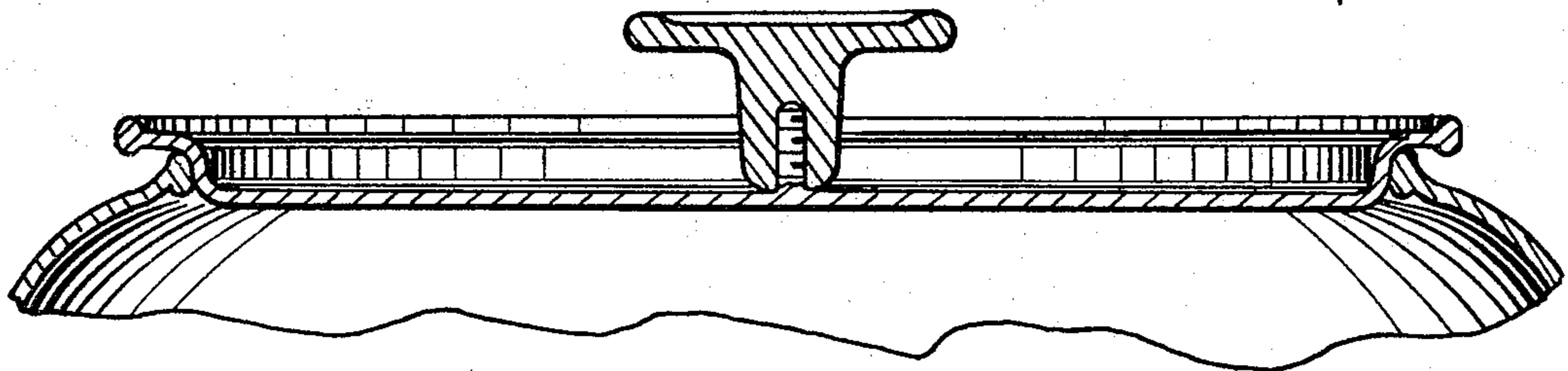


Fig. 2.

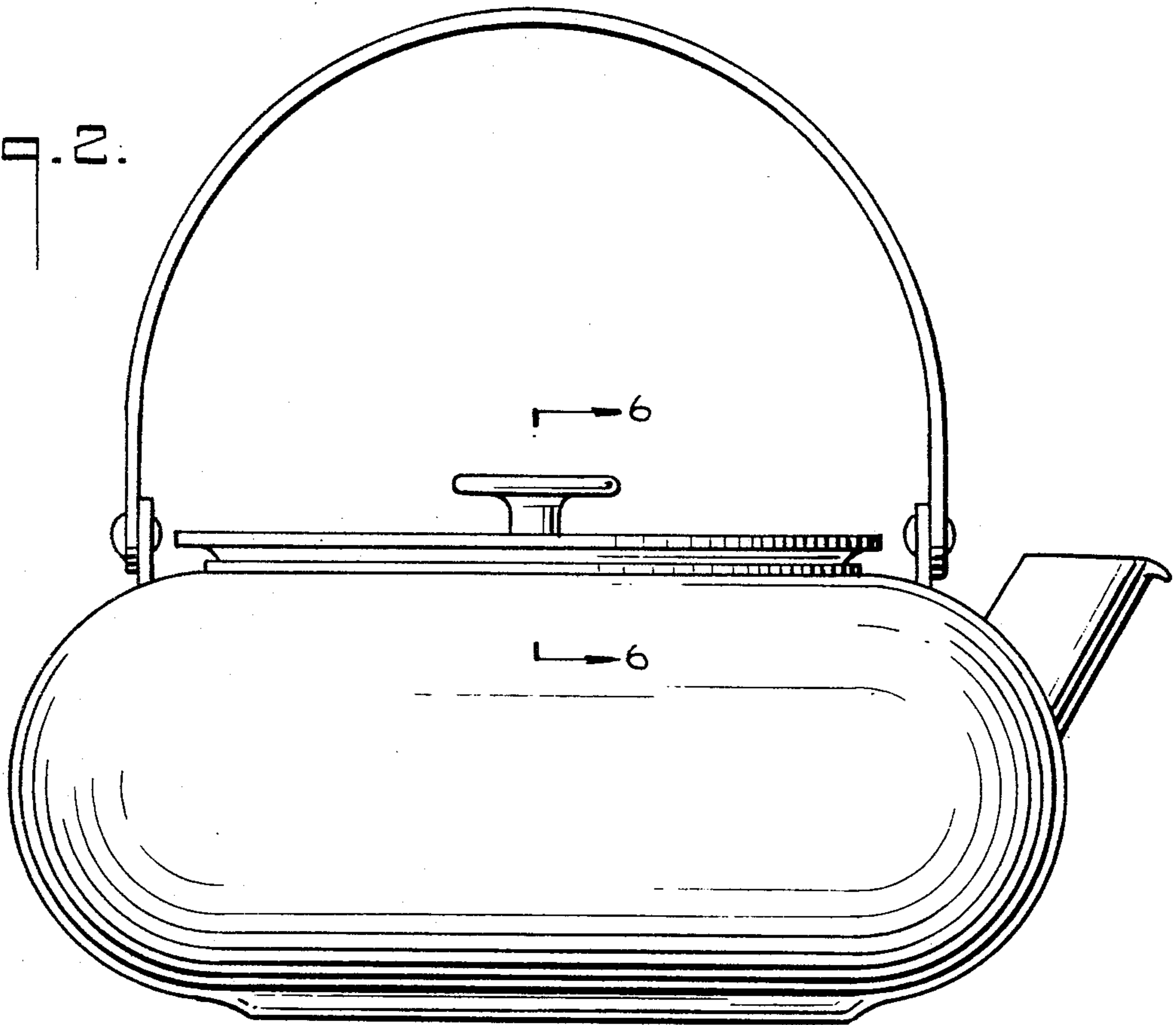


Fig. 3.

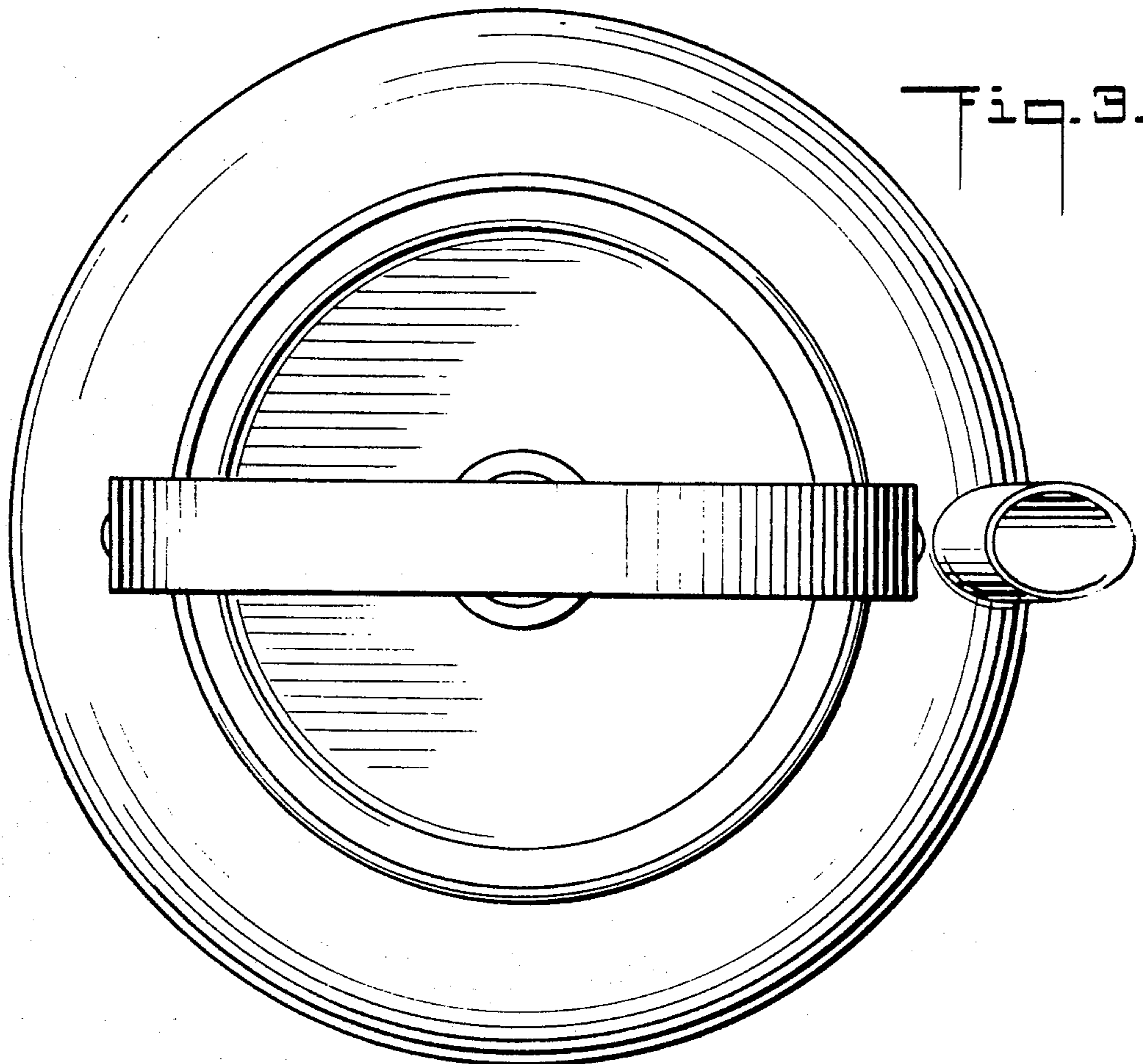


Fig. 4.

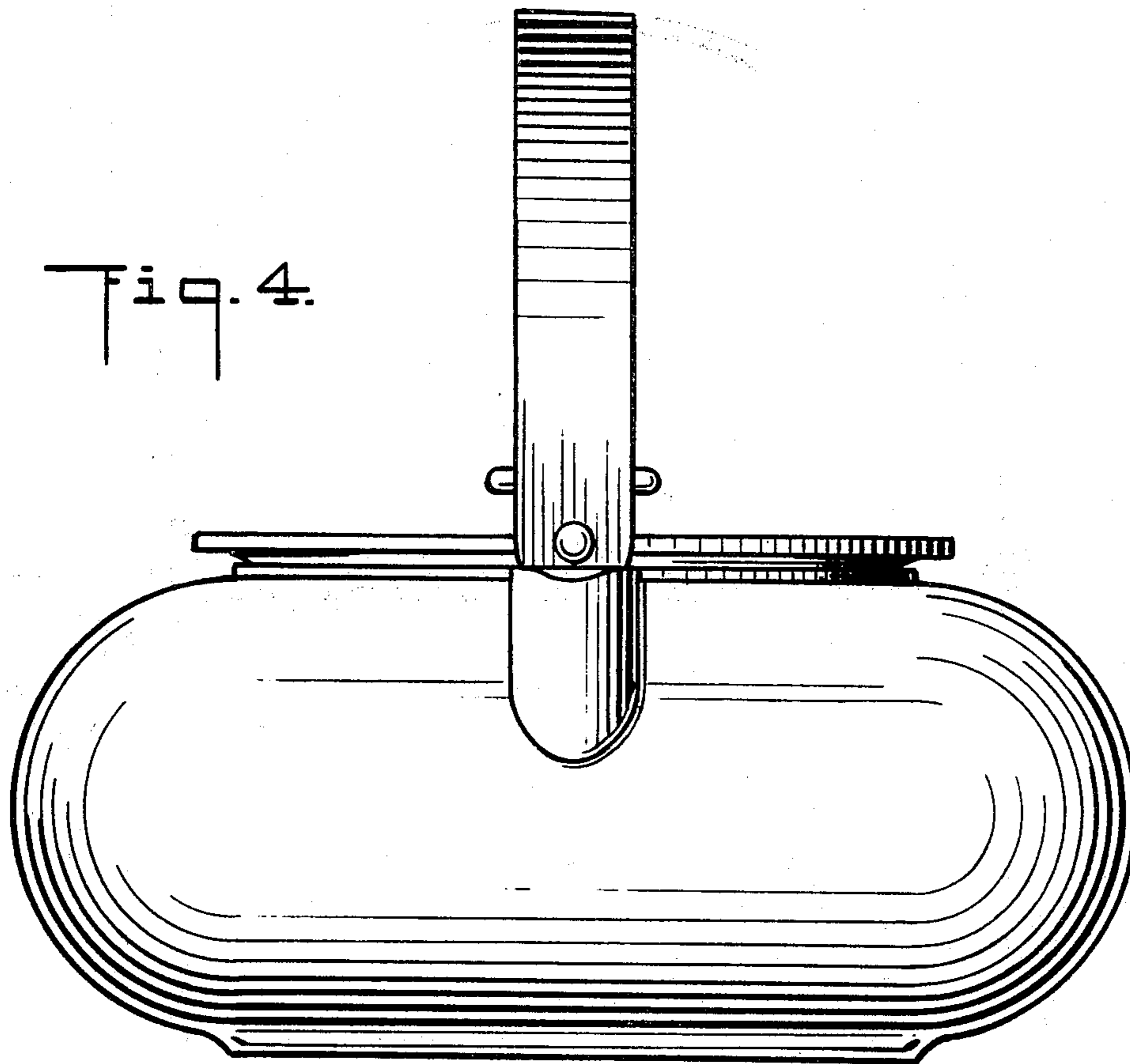


Fig. 5.

