

United States Patent [19]

Daenen

[11] Patent Number: **Des. 274,591**

[45] Date of Patent: **** Jul. 10, 1984**

[54] **PICTURE FRAME SUPPORT OR THE LIKE**

[75] Inventor: **Robert H. C. M. Daenen, Hekelgem, Belgium**

[73] Assignee: **Dart Industries Inc., Northbrook, Ill.**

[**] Term: **14 Years**

[21] Appl. No.: **231,190**

[22] Filed: **Feb. 3, 1981**

[52] U.S. Cl. **D8/373; D6/310**

[58] Field of Search 248/68 R, 469, 472, 248/473, 474; D6/232-246, 85; 40/152, 152.1, 152.2, 156

[56] **References Cited**

U.S. PATENT DOCUMENTS

D. 240,492 7/1976 Burin D6/236
1,385,043 7/1921 Dunkelberger 248/469
2,742,252 4/1956 Wiesener 248/255.1

3,070,914 1/1963 Henderson et al. 40/156
3,557,480 1/1971 Ebner 40/152.1
3,688,897 9/1972 Judd 206/45.26
3,715,824 2/1973 Rochman 40/152
4,096,656 6/1978 Diceglie 40/564
4,193,521 3/1980 Bounds 222/142.4

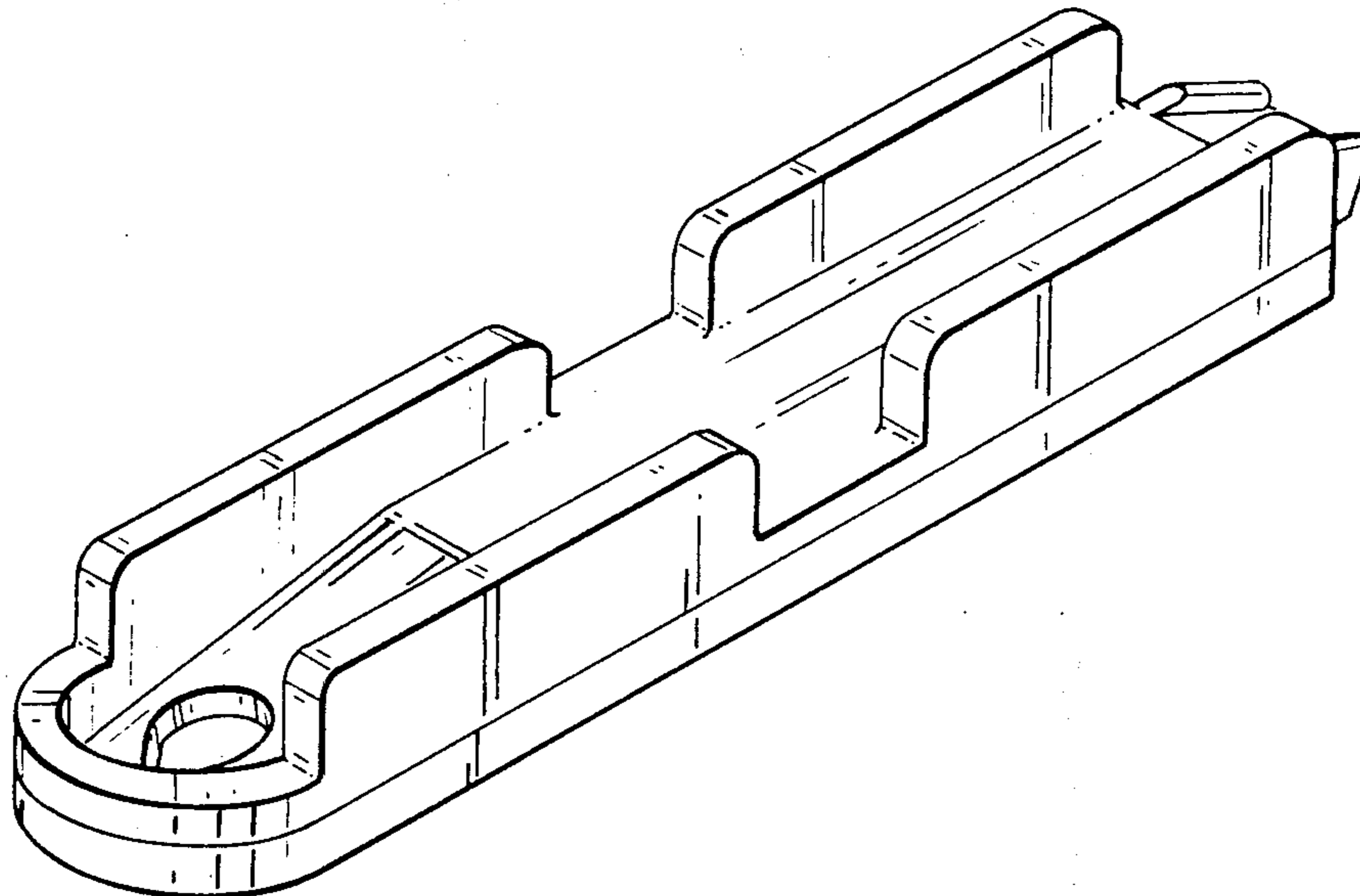
Primary Examiner—Charles A. Rademaker
Attorney, Agent, or Firm—Leigh B. Taylor

[57] **CLAIM**

The ornamental design for a picture frame support or the like, substantially as shown.

DESCRIPTION

FIG. 1 is a top perspective view of a picture frame support or the like showing my new design;
FIG. 2 is a top plan view thereof;
FIG. 3 is an end elevational view thereof;
FIG. 4 is a side elevational view thereof;
FIG. 5 is another end elevational view thereof; and
FIG. 6 is a bottom plan view thereof.



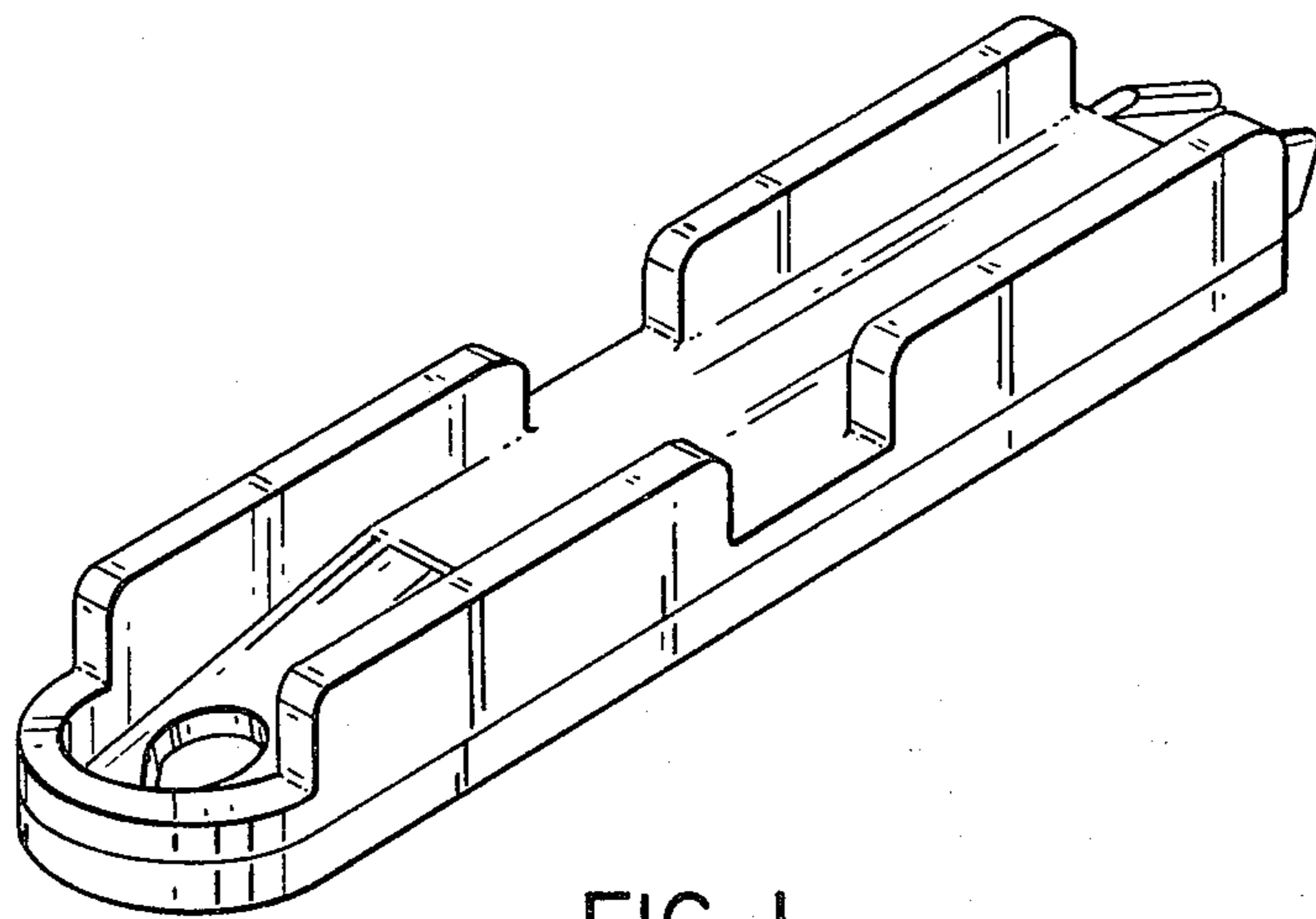


FIG. 1

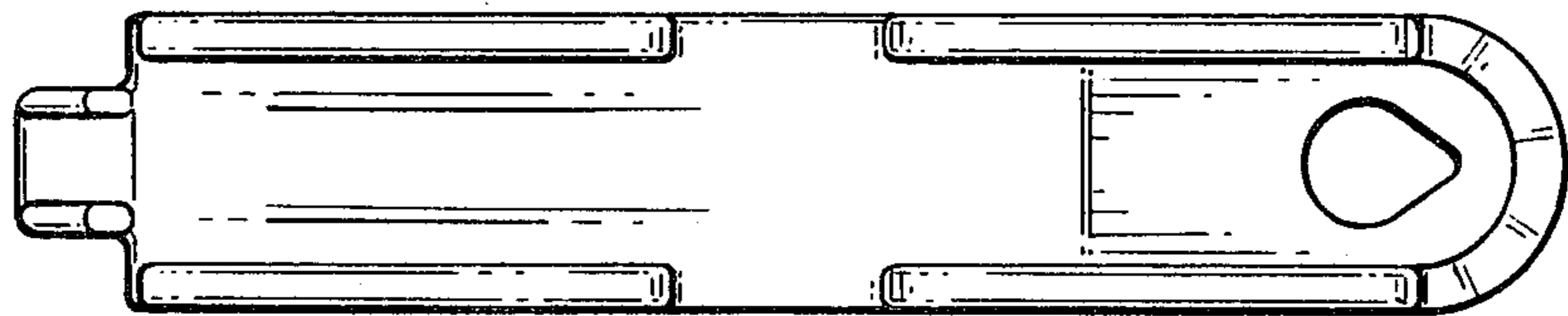


FIG. 2

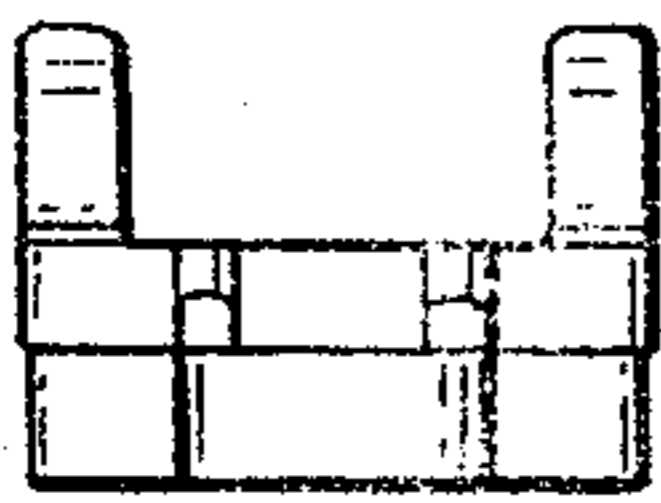


FIG. 3

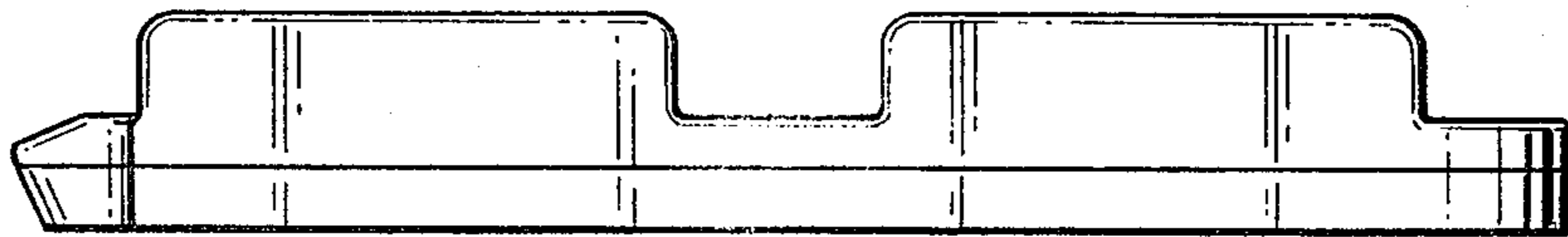


FIG. 4

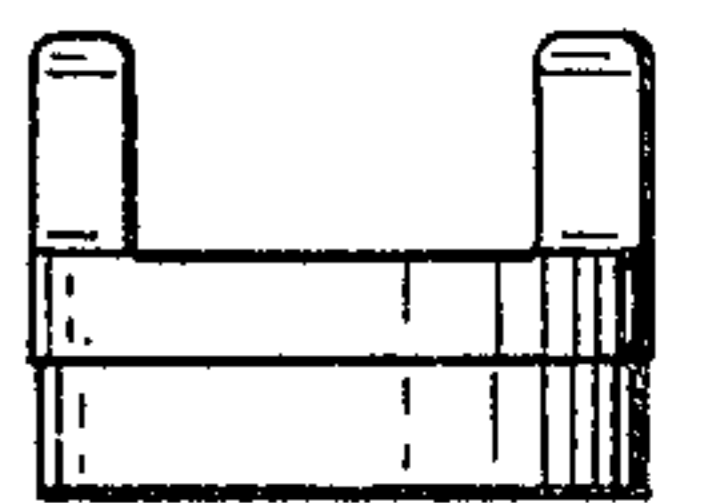


FIG. 5

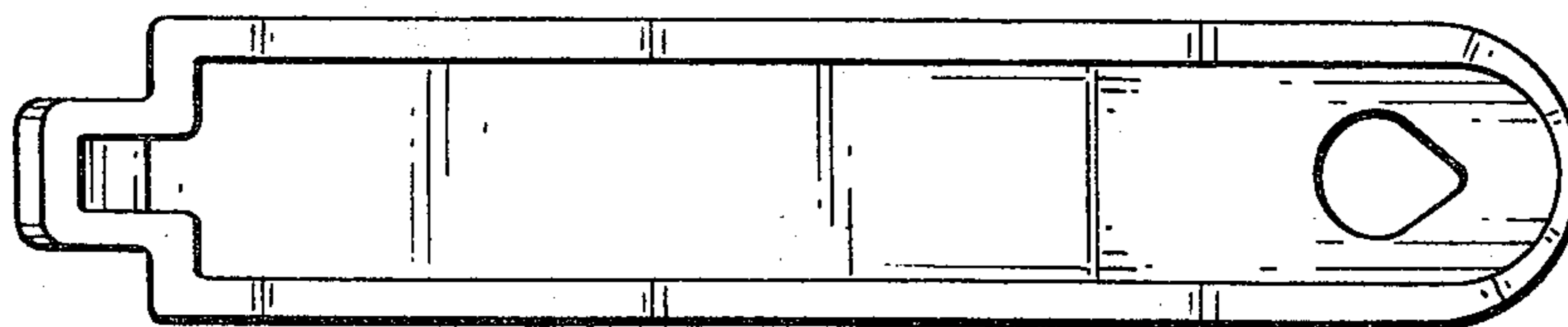


FIG. 6