

[54] COMPUTER KEY-PUNCH STAND

[76] Inventors: Raymond Cope, 3541 Spring Valley Rd., Birmingham, Ala. 35223; Michael King, 3208 Waxbury La., Birmingham, Ala. 35217

[**] Term: 14 Years

[21] Appl. No.: 328,458

[22] Filed: Dec. 7, 1981

[52] U.S. Cl. D6/420; D6/431; D6/474

[58] Field of Search D6/181, 186, 177, 179, D6/188, 174, 156; D14/100, 102, 103; D34/17, 21, 22; 108/6; 248/460, 441 B; 312/231, 233

[56] References Cited

U.S. PATENT DOCUMENTS

32,069	4/1861	Lamb	312/233
D. 118,484	1/1940	Salomon	D6/156
D. 123,806	12/1940	Griese	D6/186
D. 242,008	10/1976	Salsgiver	D6/179
D. 266,468	10/1982	YlänköD6	188/

D. 268,312	3/1983	Römpötti	D6/179
2,197,359	4/1940	Cook et al.	108/6
4,077,333	3/1978	Ballas	312/231

OTHER PUBLICATIONS

Howell Brochure No. 30 p. 9; "Folding Leg Tables" top right of page.

The Office Oct. 1981; p. 222; CRT Stand by Atlantic Data Furniture Products, Inc.; right of page.

Primary Examiner—Bruce W. Dunkins

Assistant Examiner—Carmen H. Vales

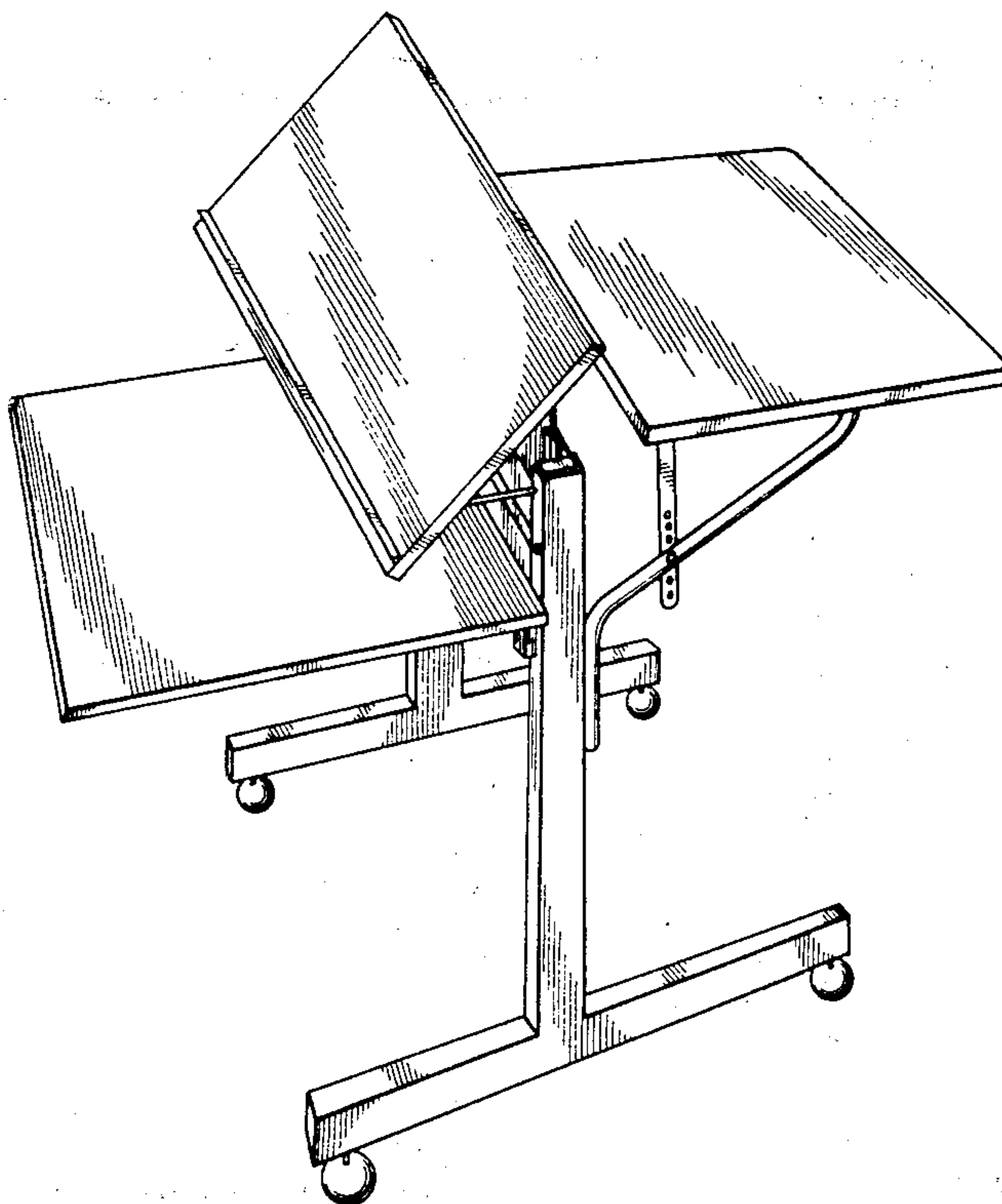
Attorney, Agent, or Firm—William T. Hough

[57] CLAIM

The ornamental design for a computer key-punch stand, as shown.

DESCRIPTION

FIG. 1 is a side elevational view of a computer key-punch stand showing our new design; FIG. 2 is a front elevational view thereof; FIG. 3 is a top plan view thereof; FIG. 4 is a rear elevational view thereof, and FIG. 5 is a front and side perspective view thereof.



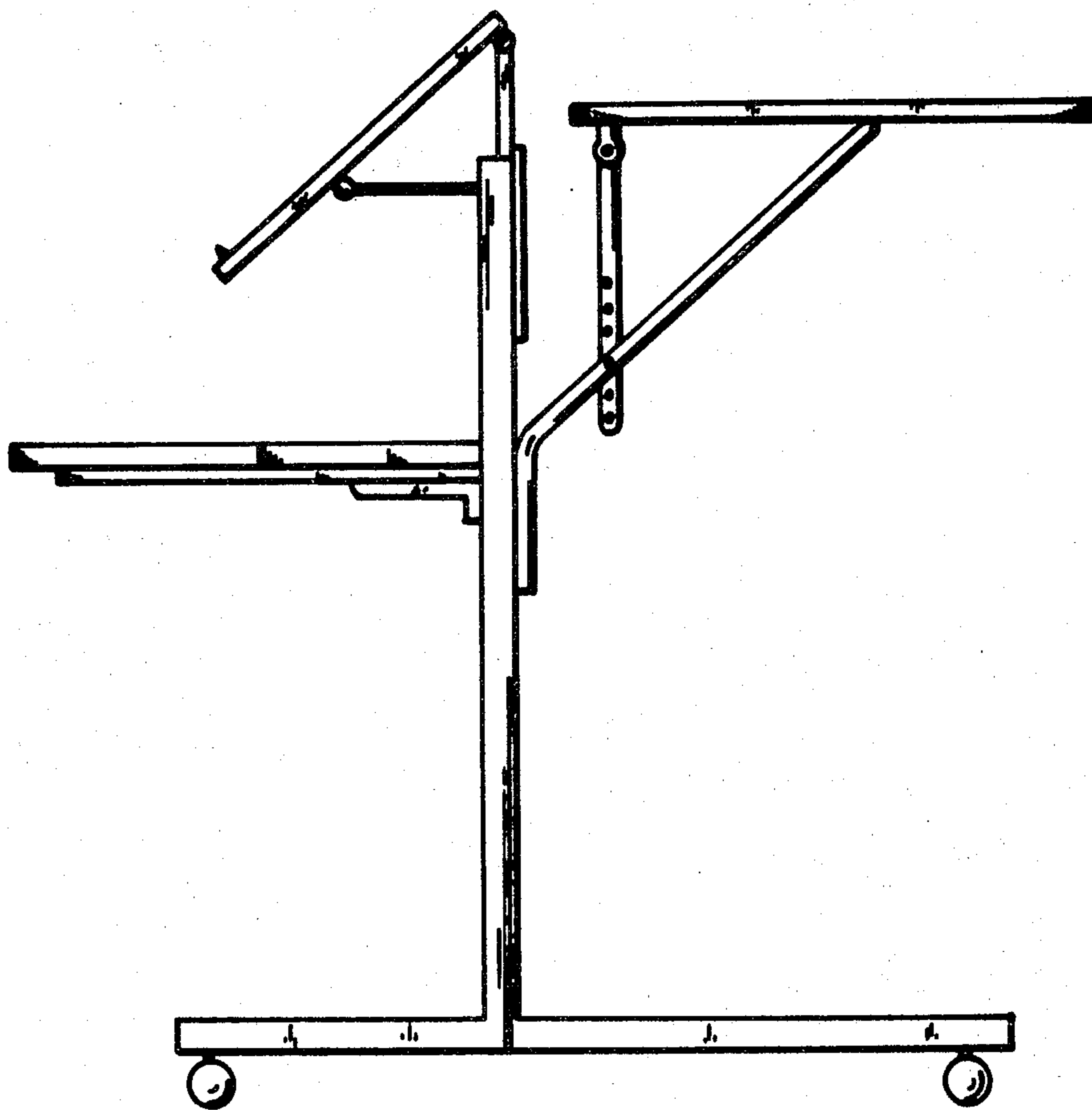


FIG. 1

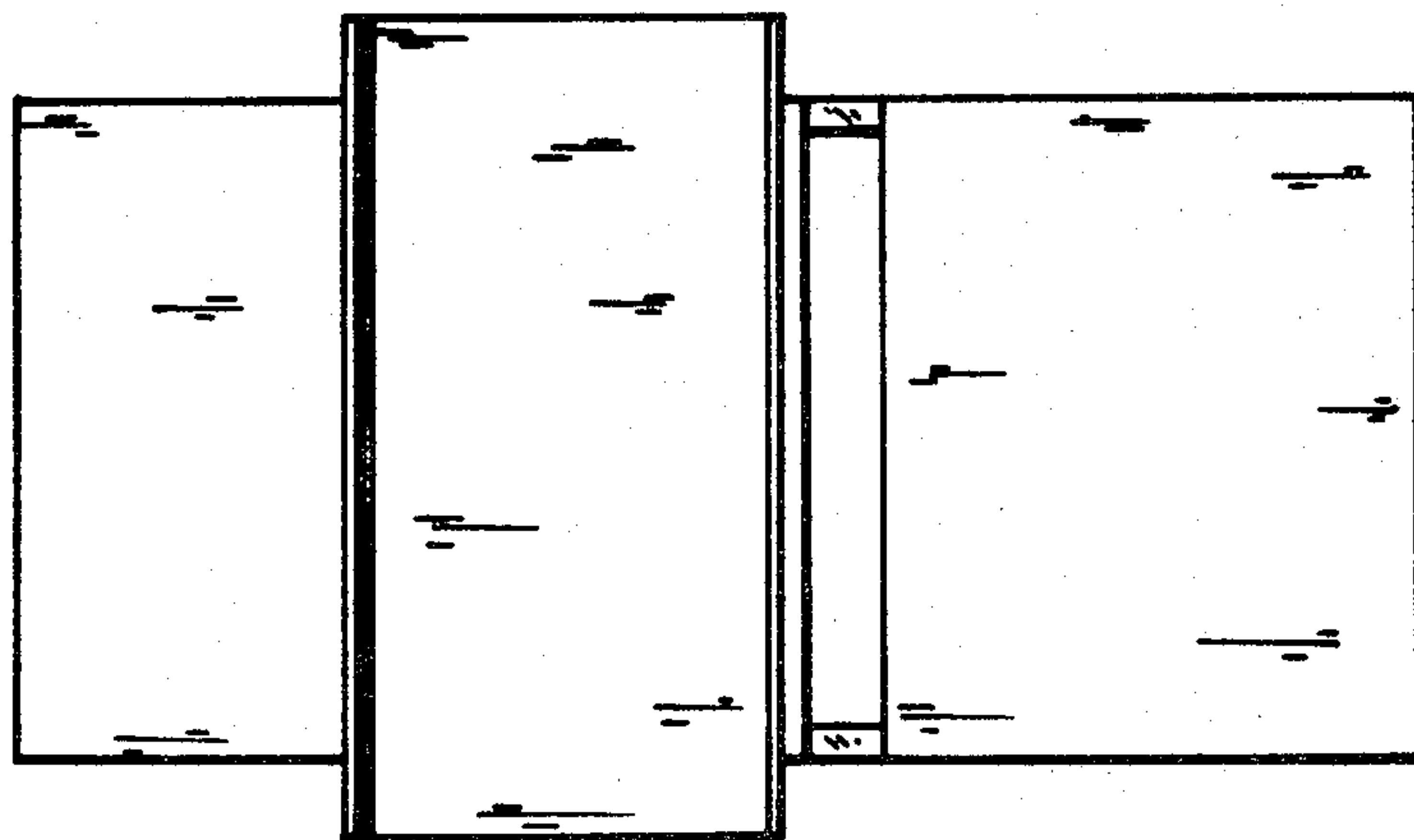


FIG. 3

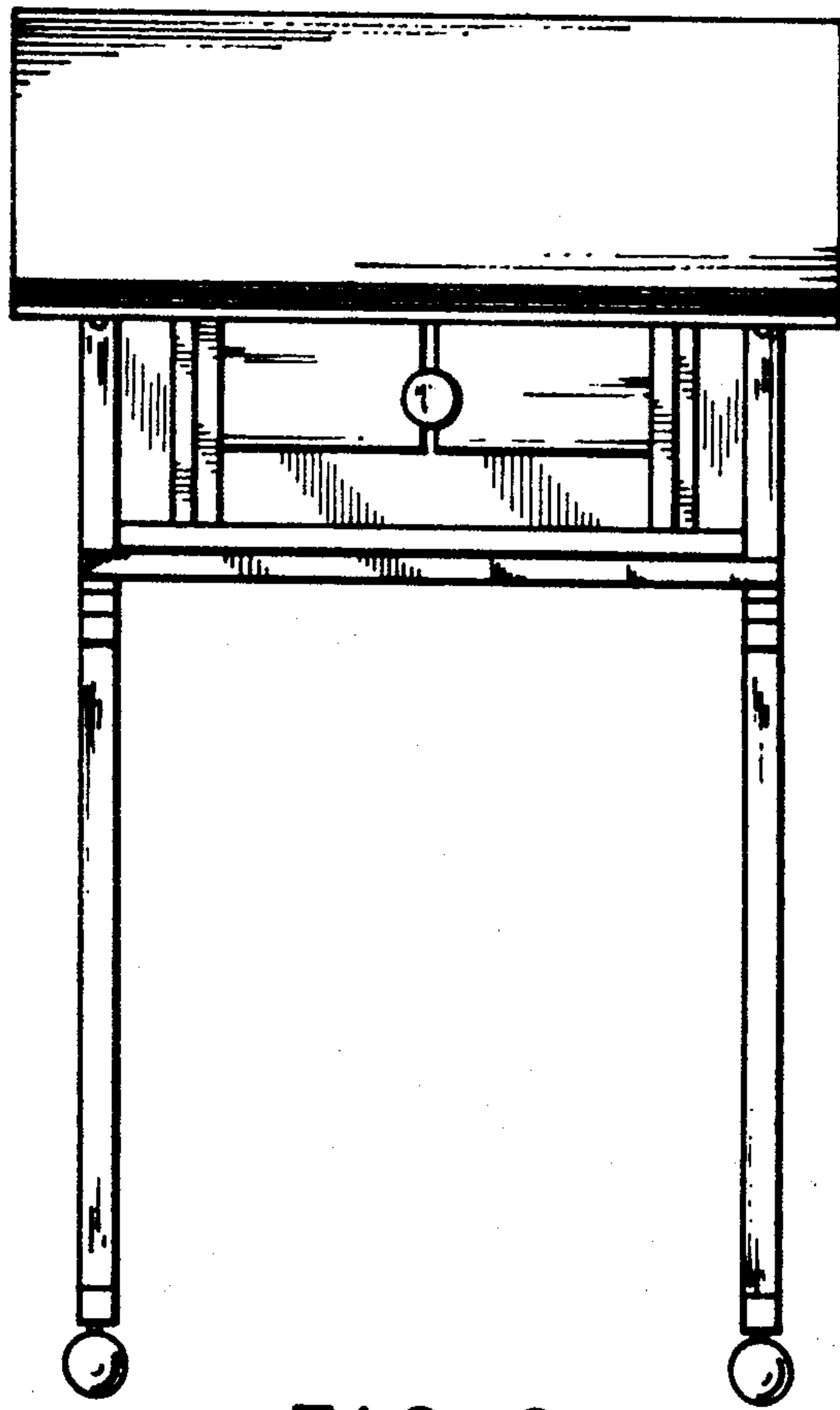


FIG. 2

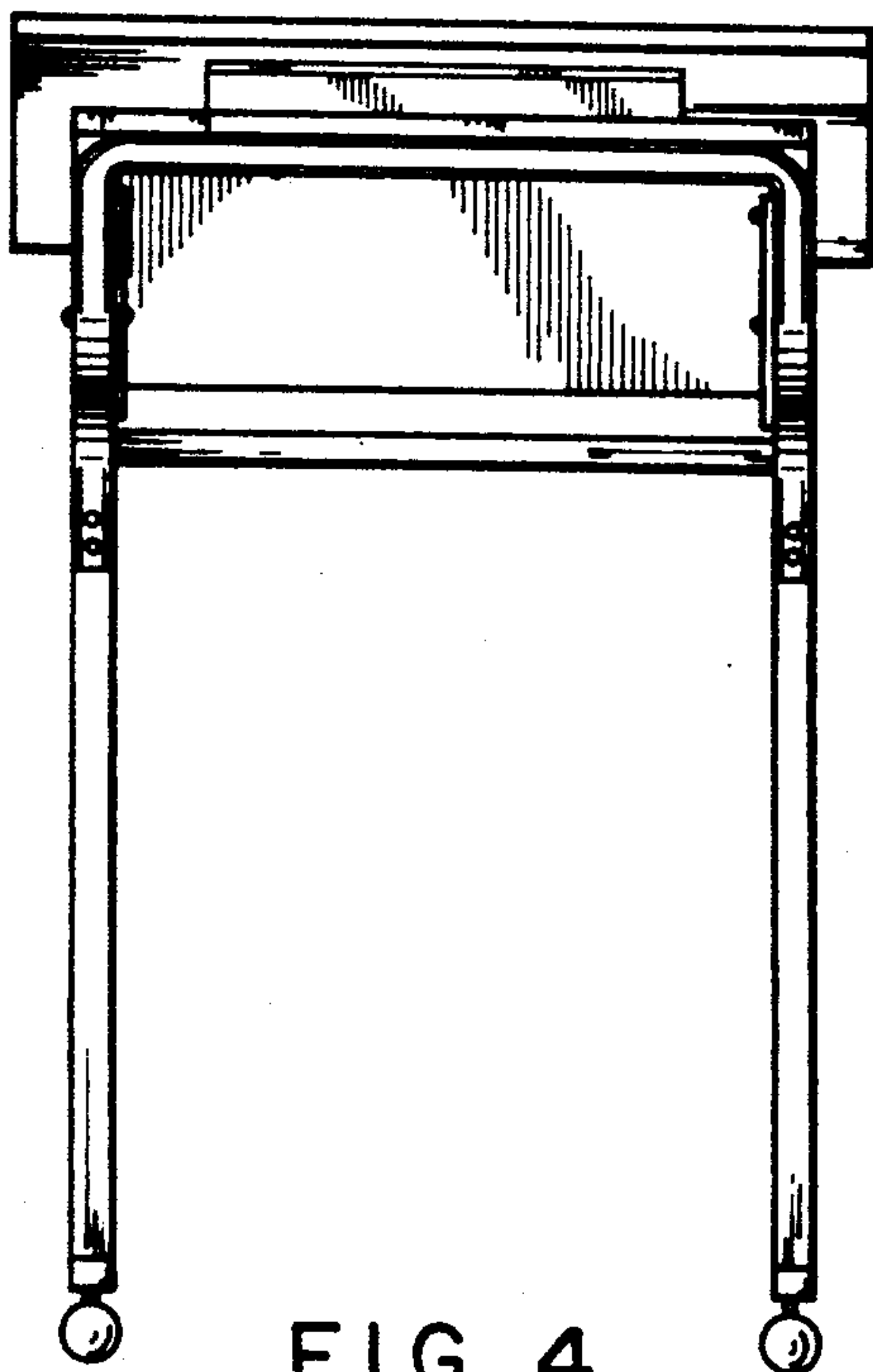


FIG. 4

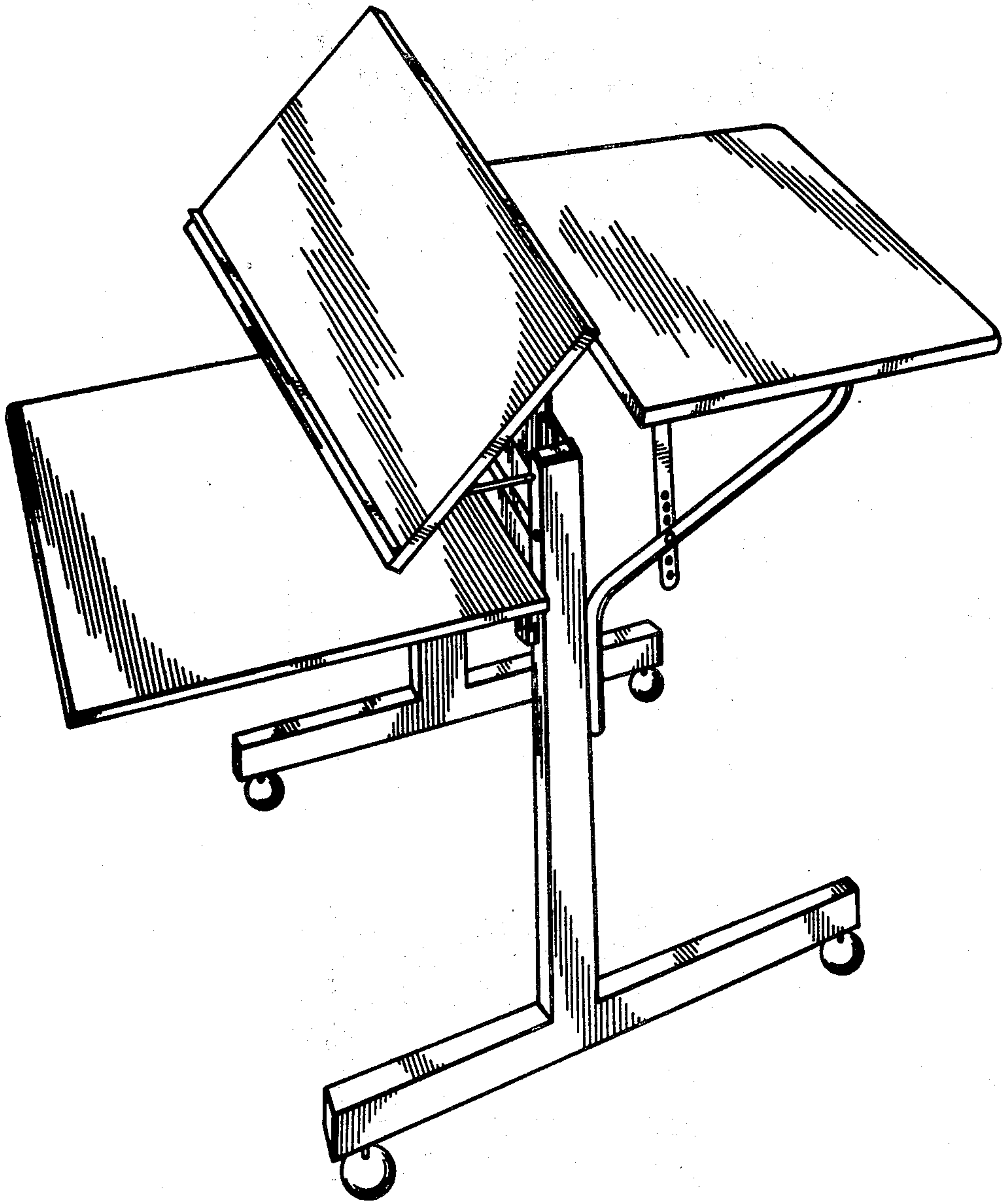


FIG. 5