

United States Patent [19]

Lafferty

[11] Patent Number: **Des. 274,583**

[45] Date of Patent: **** Jul. 10, 1984**

[54] **HANGING PLANTER**

[75] Inventor: **James D. Lafferty**, Westboro, Mass.

[73] Assignee: **Protech, Inc.**, Amherst, N.H.

[**] Term: **14 Years**

[21] Appl. No.: **406,893**

[22] Filed: **Aug. 10, 1982**

[52] U.S. Cl. **D11/148; D11/152**

[58] Field of Search **D6/113, 137; D11/143, D11/148, 152-156; 47/66, 67, 72, 79-83; 211/113; 248/318**

[56] **References Cited**

U.S. PATENT DOCUMENTS

D. 245,052 7/1977 Mulford D6/113

D. 250,376 11/1978 Schoenbrun D6/113
1,600,931 9/1926 Chatham 248/318
3,943,661 3/1976 DeVito et al. 47/67
4,147,320 4/1979 Biedebach 47/67
4,216,622 8/1980 Hollenbach et al. 47/73

Primary Examiner—B. J. Bullock

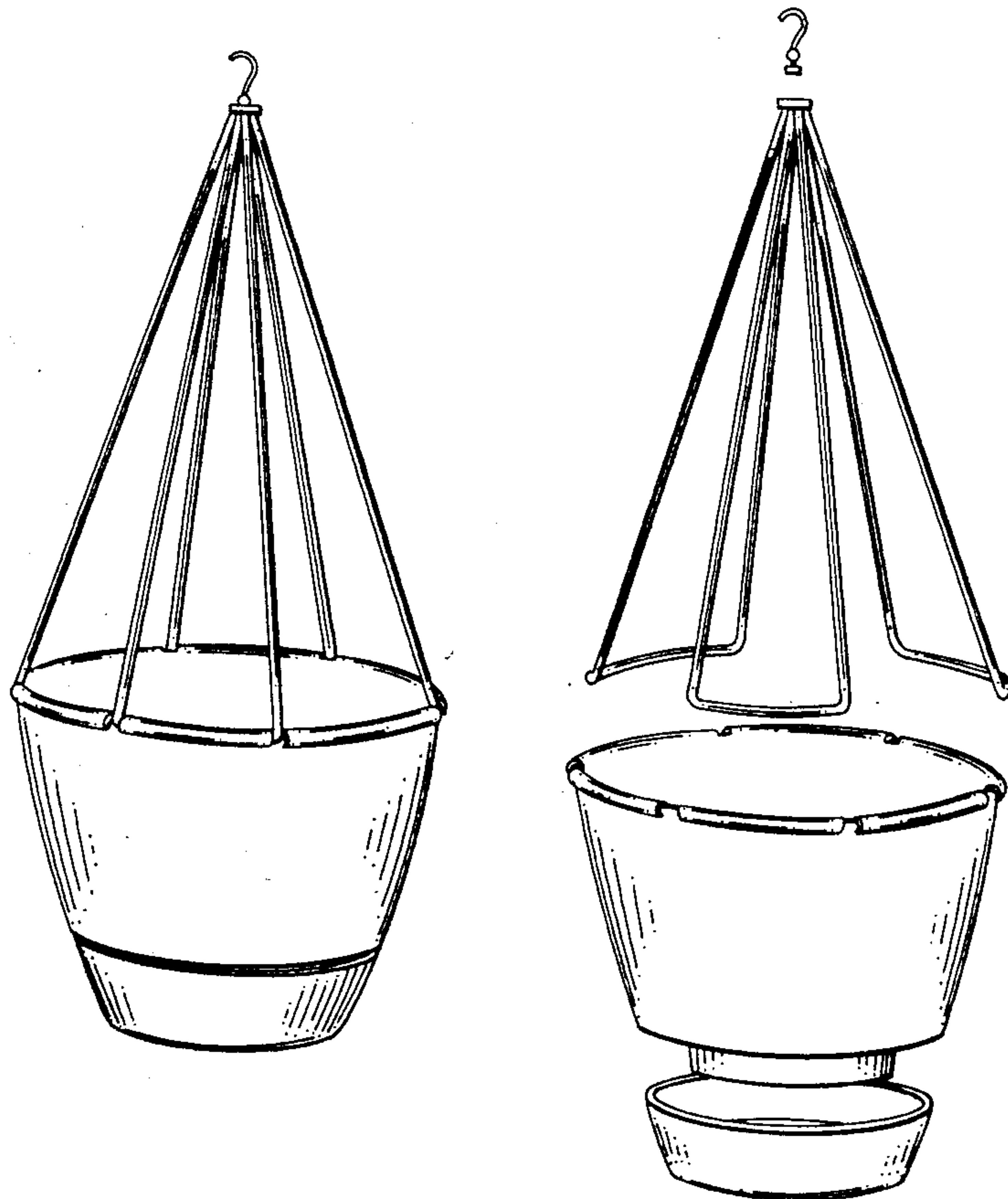
Attorney, Agent, or Firm—Jerry Cohen; Herbert S. Kassman; M. Lawrence Oliverio

[57] **CLAIM**

The ornamental design for a hanging planter, as shown.

DESCRIPTION

FIG. 1 is a front isometric view of a hanging planter showing my new design;
FIG. 2 is an exploded isometric view thereof;
FIG. 3 is a top plan view thereof;
FIG. 4 is a bottom plan view thereof.



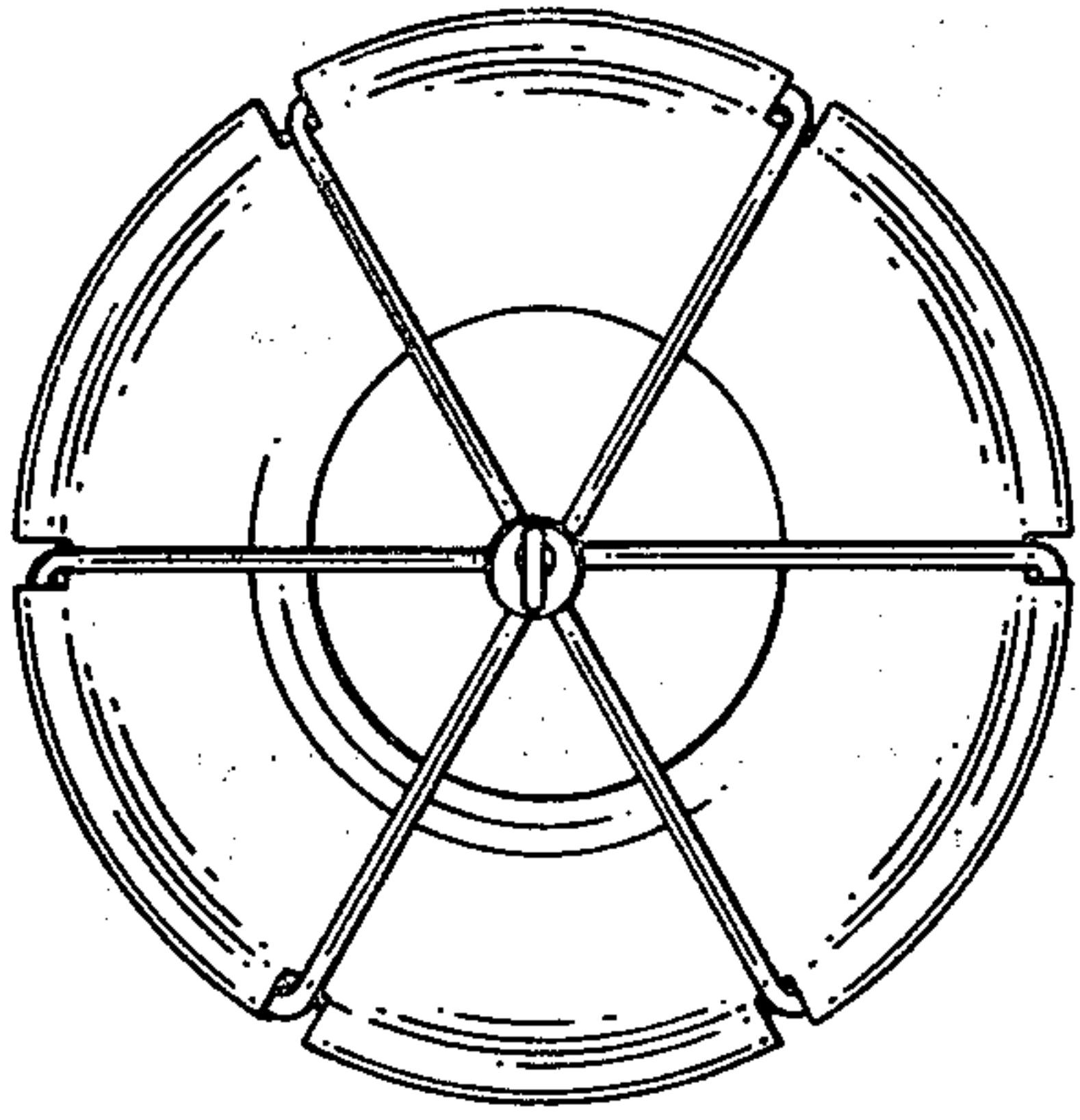


Fig. 3

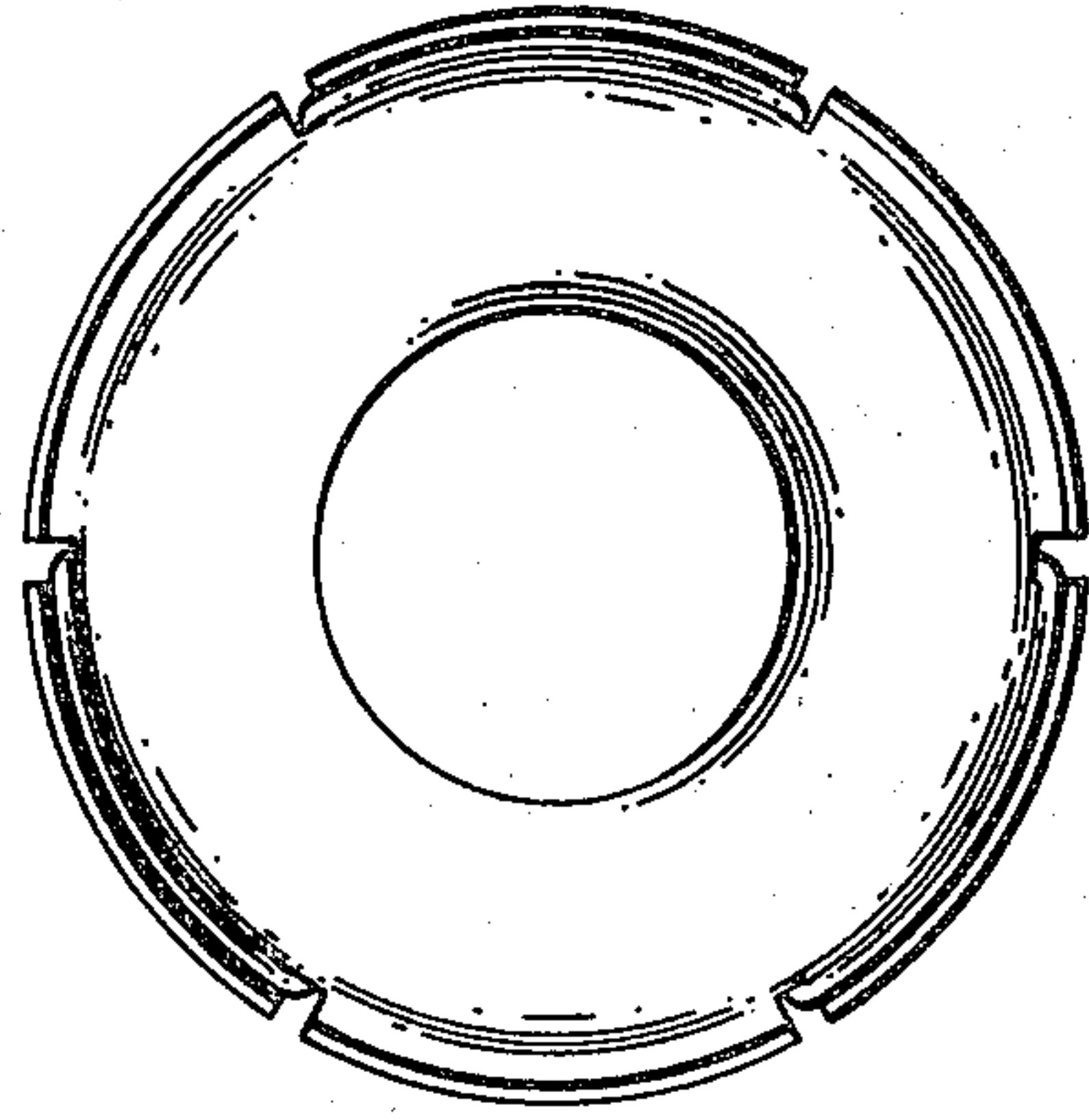


Fig. 4

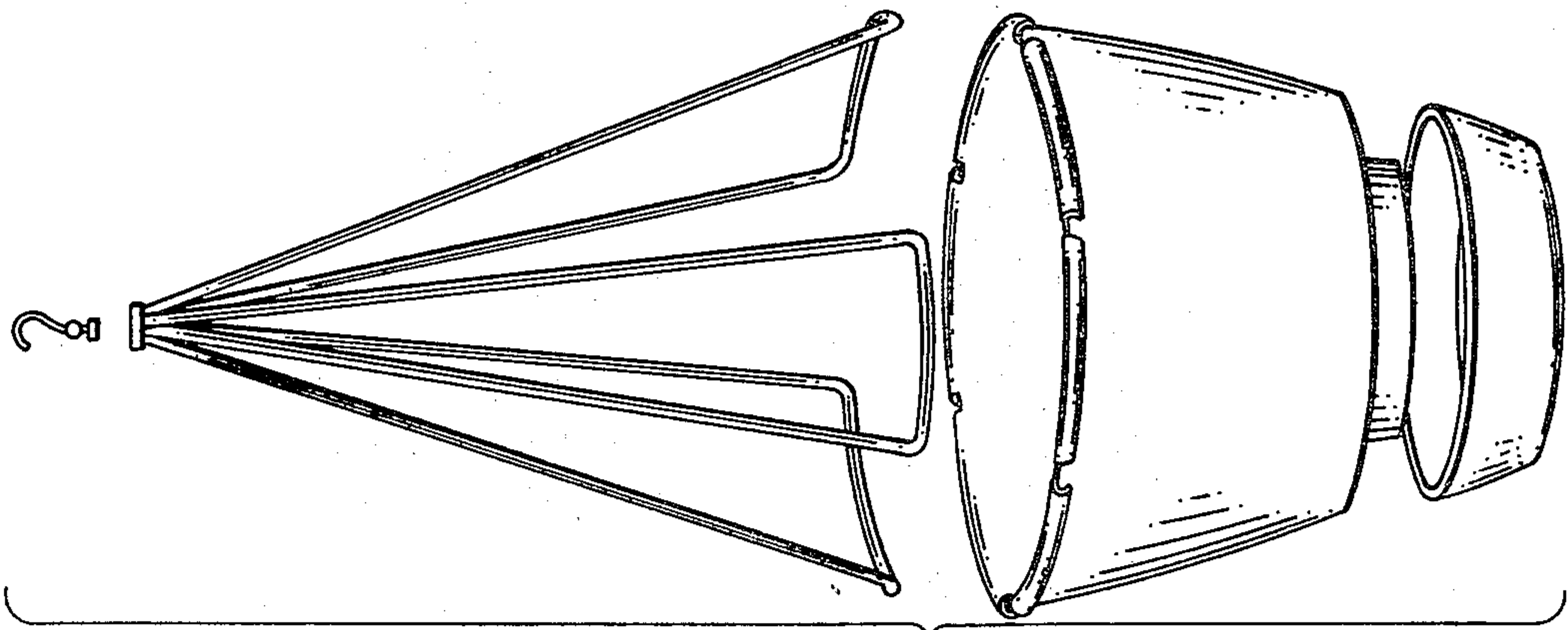


Fig. 2

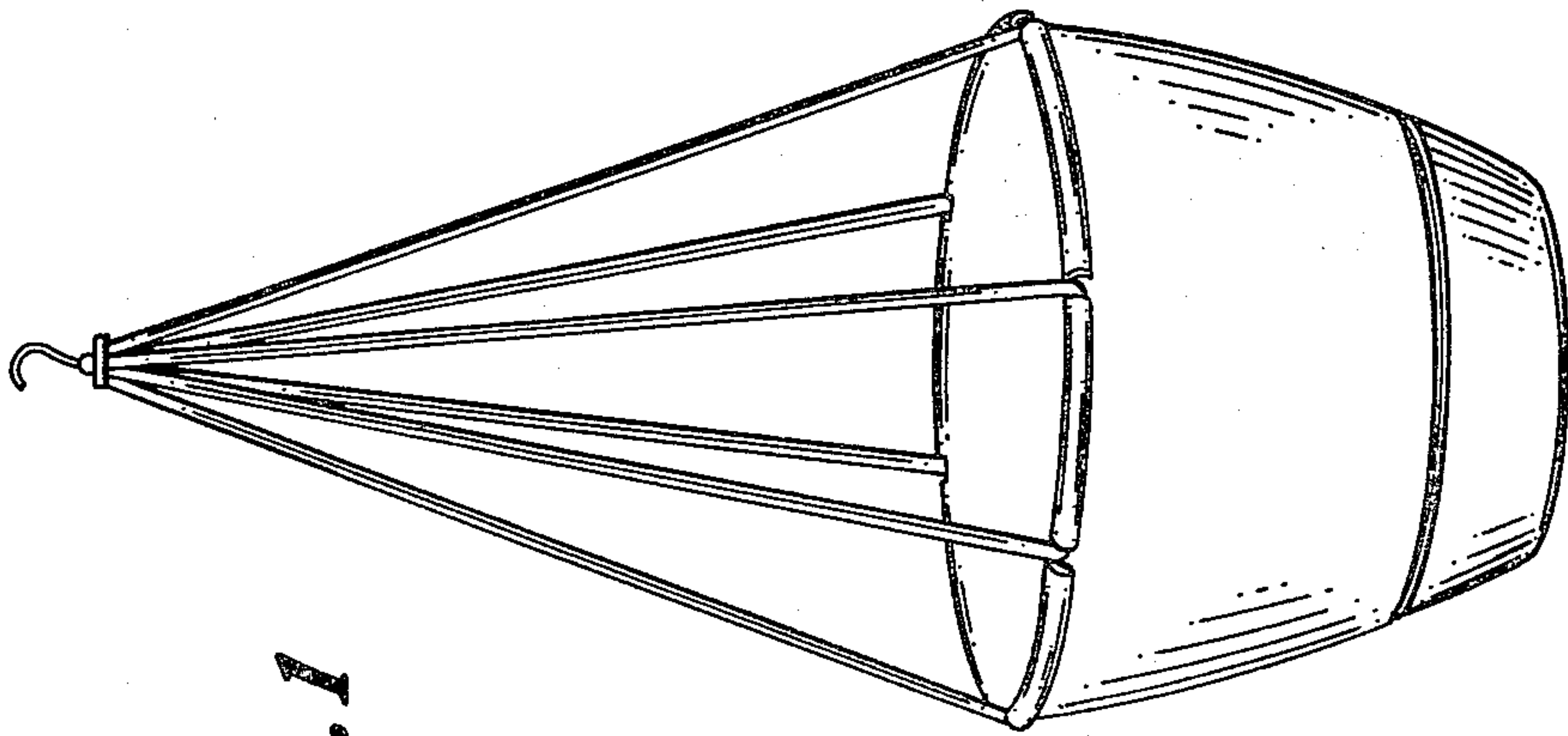


Fig. 1