

United States Patent [19]

Berry, Jr.

[11] Patent Number: **Des. 274,577**

[45] Date of Patent: **** Jul. 10, 1984**

[54] TABLE

[75] Inventor: **Richard D. Berry, Jr., Hickory, N.C.**

[73] Assignee: **Design Institute America, Inc.,
Montpelier, Ohio**

[**] Term: **14 Years**

[21] Appl. No.: **512,231**

[22] Filed: **Jul. 11, 1983**

[52] U.S. Cl. **D6/474**

[58] Field of Search **D6/20, 23, 24, 25, 27,
D6/175, 177, 178, 179**

[56] **References Cited**

U.S. PATENT DOCUMENTS

D. 254,825 4/1980 Crespi D6/27 X
D. 254,826 4/1980 Crespi D6/27 X
D. 268,239 3/1983 Crespi D6/27 X

3,255,719 6/1966 Klavins D6/179 X

OTHER PUBLICATIONS

Spiegel Catalog, Spring 1983, p. 337, cocktail table at center.

Interiors, Mar. 1973, p. 107, table bottom right.

Primary Examiner—Bruce W. Dunkins

Attorney, Agent, or Firm—Fraser, Barker, Purdue & Clemens

[57] **CLAIM**

The ornamental design for a table, as shown.

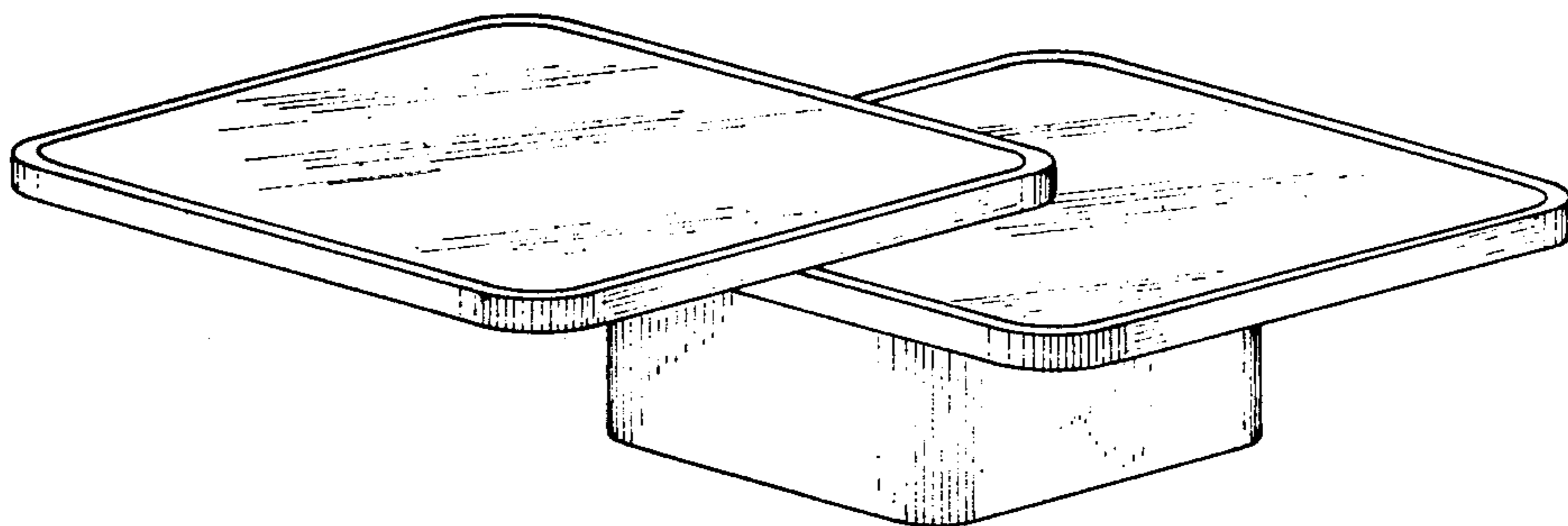
DESCRIPTION

FIG. 1 is a perspective view of a table embodying my new design;

FIG. 2 is a front elevational view thereof;

FIG. 3 is a top plan view thereof; and

FIG. 4 is a side elevational view thereof.



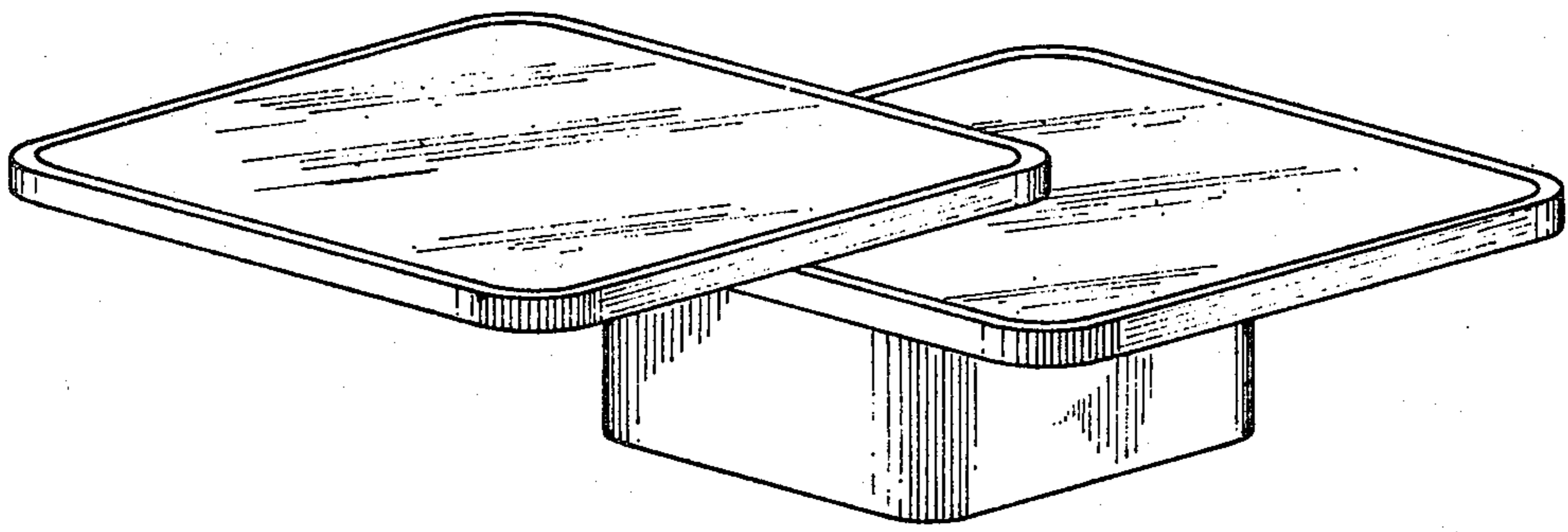


FIG. 1

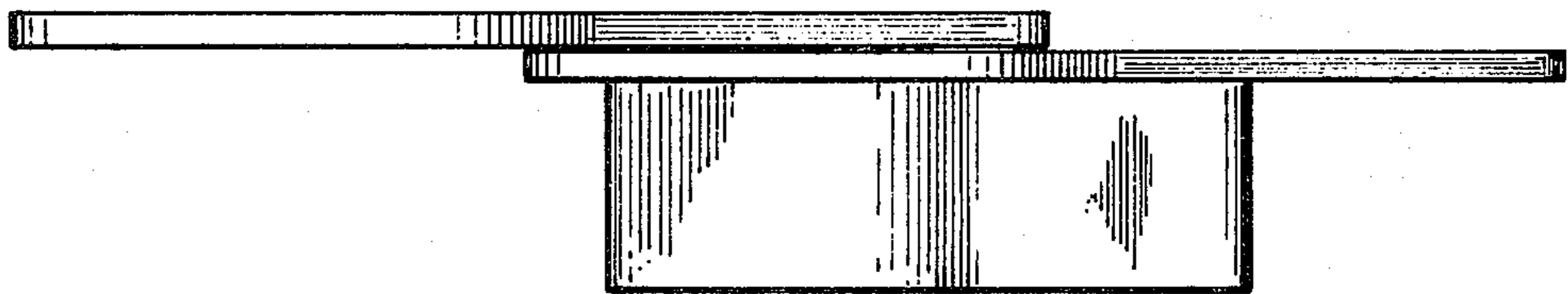


FIG. 2

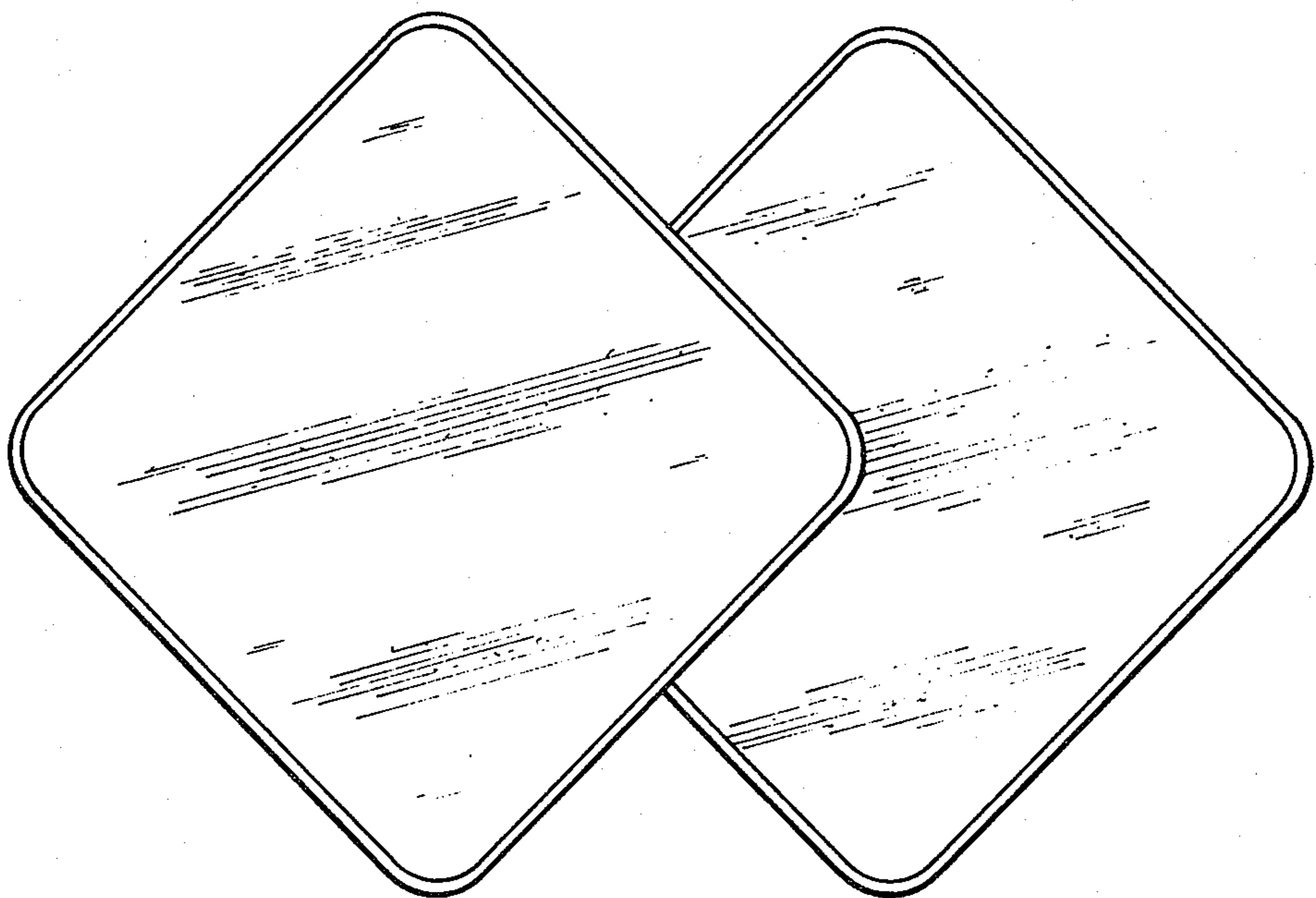


FIG. 3

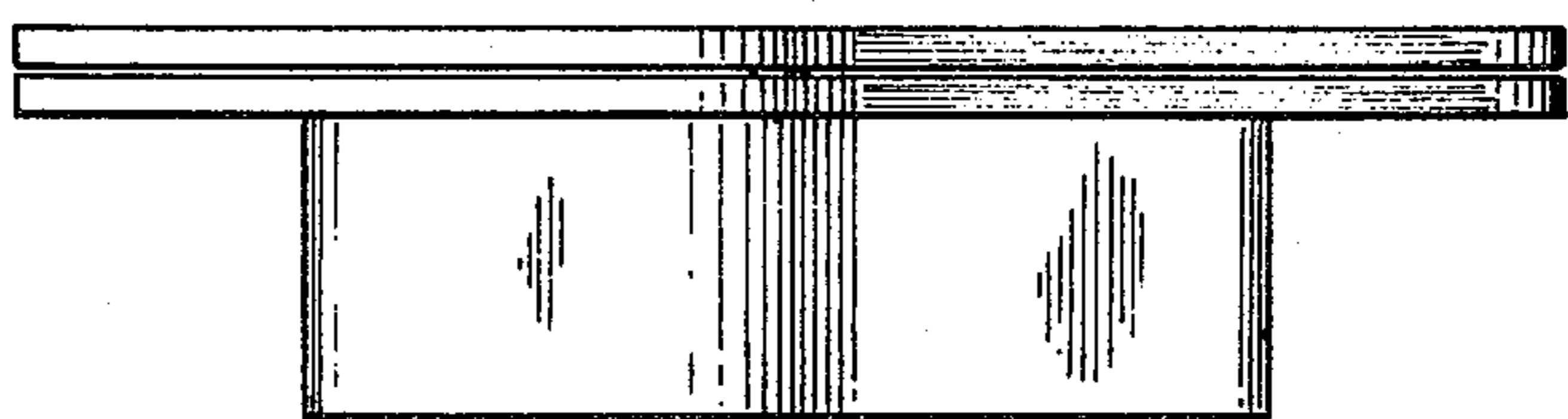


FIG. 4