

[54] **FOLDABLE LOUNGE SEAT AND HAS SOCK COMBINATION**

[75] **Inventor: H. Robert Tiffany, Chattanooga, Tenn.**

[73] **Assignee: Robert Tiffany Designs, Inc., Chattanooga, Tenn.**

[\*\*] **Term: 14 Years**

[21] **Appl. No.: 317,683**

[22] **Filed: Nov. 2, 1981**

[52] **U.S. Cl. .... D6/335; D6/349; D6/361; D6/368; D6/375**

[58] **Field of Search ..... D6/1, 4, 47-78, D6/32; 5/12; 297/118**

[56] **References Cited**

**U.S. PATENT DOCUMENTS**

D. 167,450	8/1952	Duke .....	D6/47 X
D. 167,514	8/1952	Hicks .....	D6/47 X
D. 220,952	6/1971	Petersen et al. ....	D6/37 X
D. 255,959	7/1980	Mitchell .....	D6/3
3,469,882	9/1969	Larsen .....	D6/37 X
3,742,526	7/1973	Lillard .....	5/12
3,751,739	8/1973	Assmann .....	297/118 X

**OTHER PUBLICATIONS**

Design Catalog, Oct. 1970, p. 79, chair bottom left.

*Primary Examiner*—Bruce W. Dunkins  
*Attorney, Agent, or Firm*—Seidel, Gonda & Goldhammer

[57] **CLAIM**

The ornamental design for a foldable lounge seat and hassock combination, substantially as shown and described.

**DESCRIPTION**

FIG. 1 is a right front perspective view of a foldable lounge seat and hassock combination showing my new design;

FIG. 2 is a bottom view thereof;

FIG. 3 is a side view thereof;

FIG. 4 is a rear view thereof;

FIG. 5 is a side view thereof with the hassock folded over;

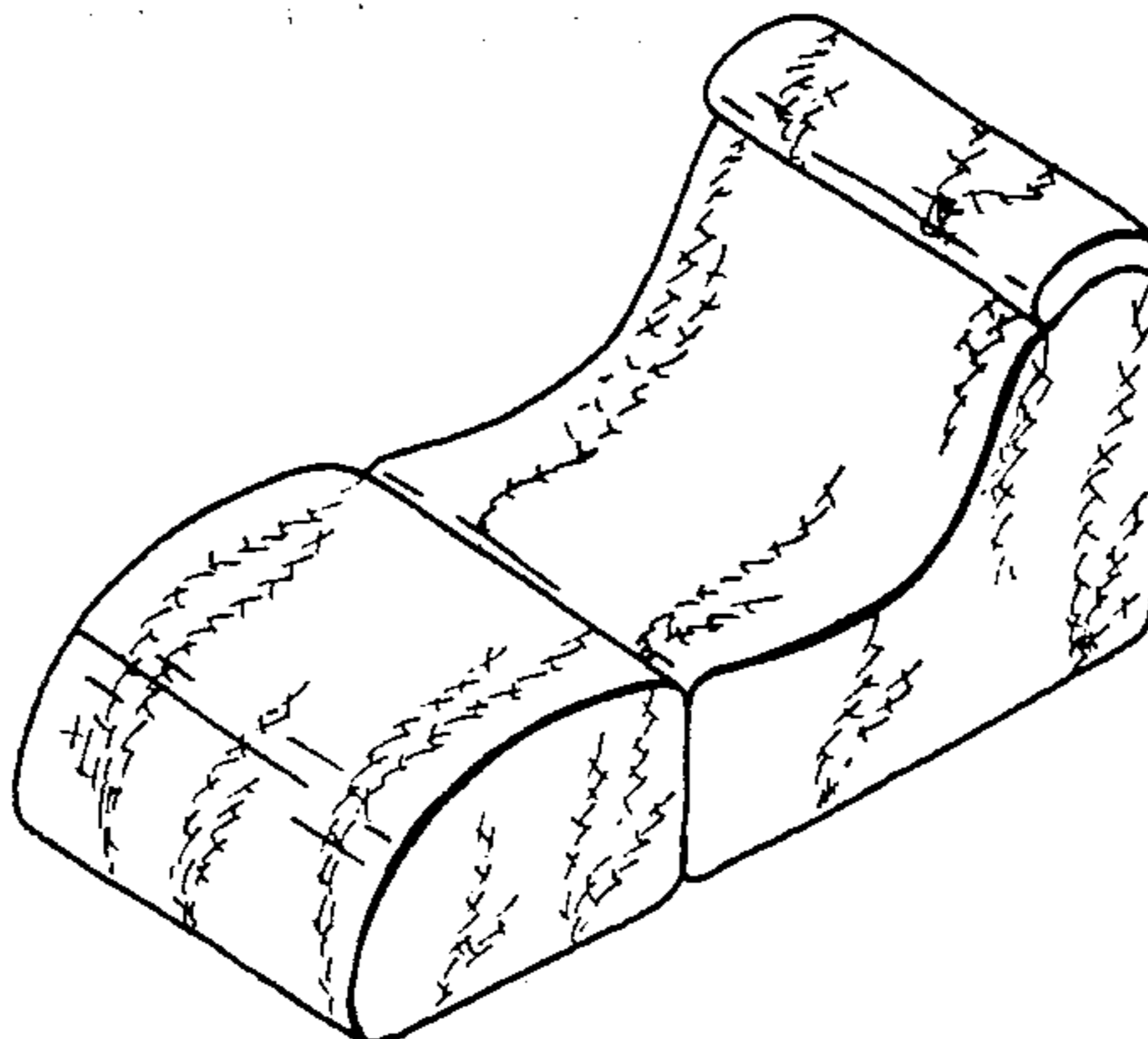
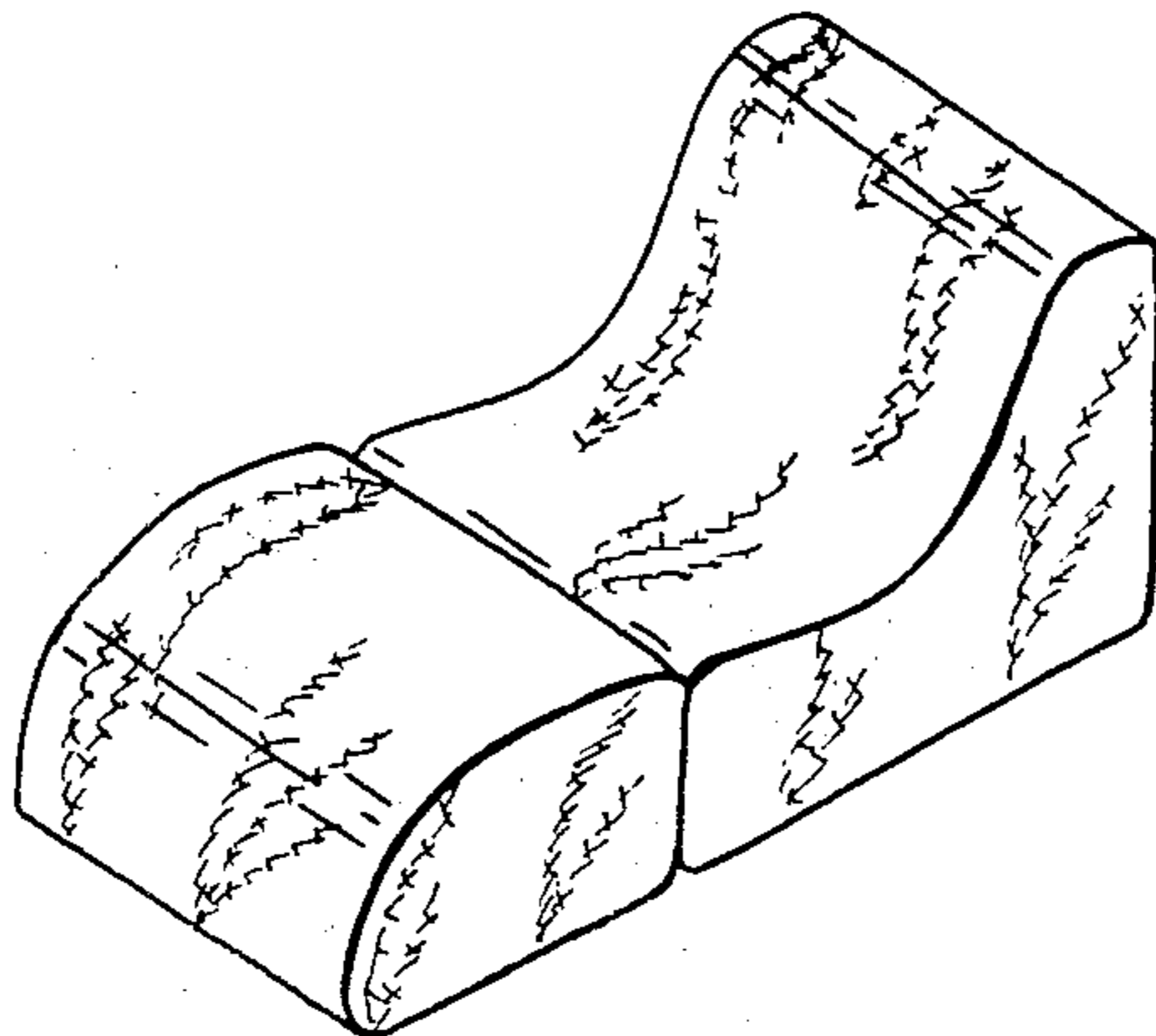
FIG. 6 is a right front perspective view of another embodiment of my invention including a bolster;

FIG. 7 is a bottom view thereof;

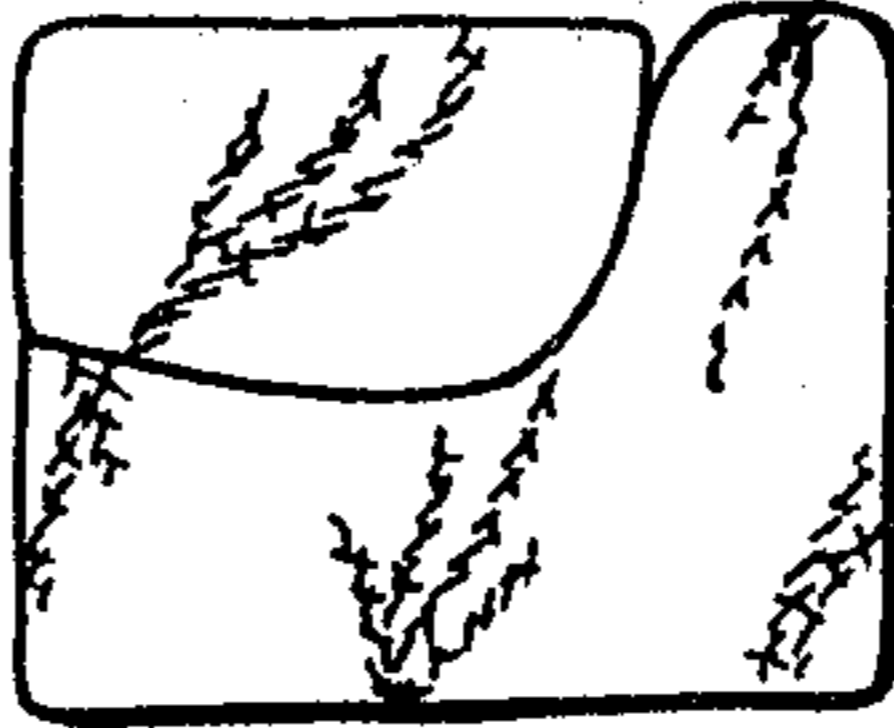
FIG. 8 is a side view thereof;

FIG. 9 is a rear view thereof;

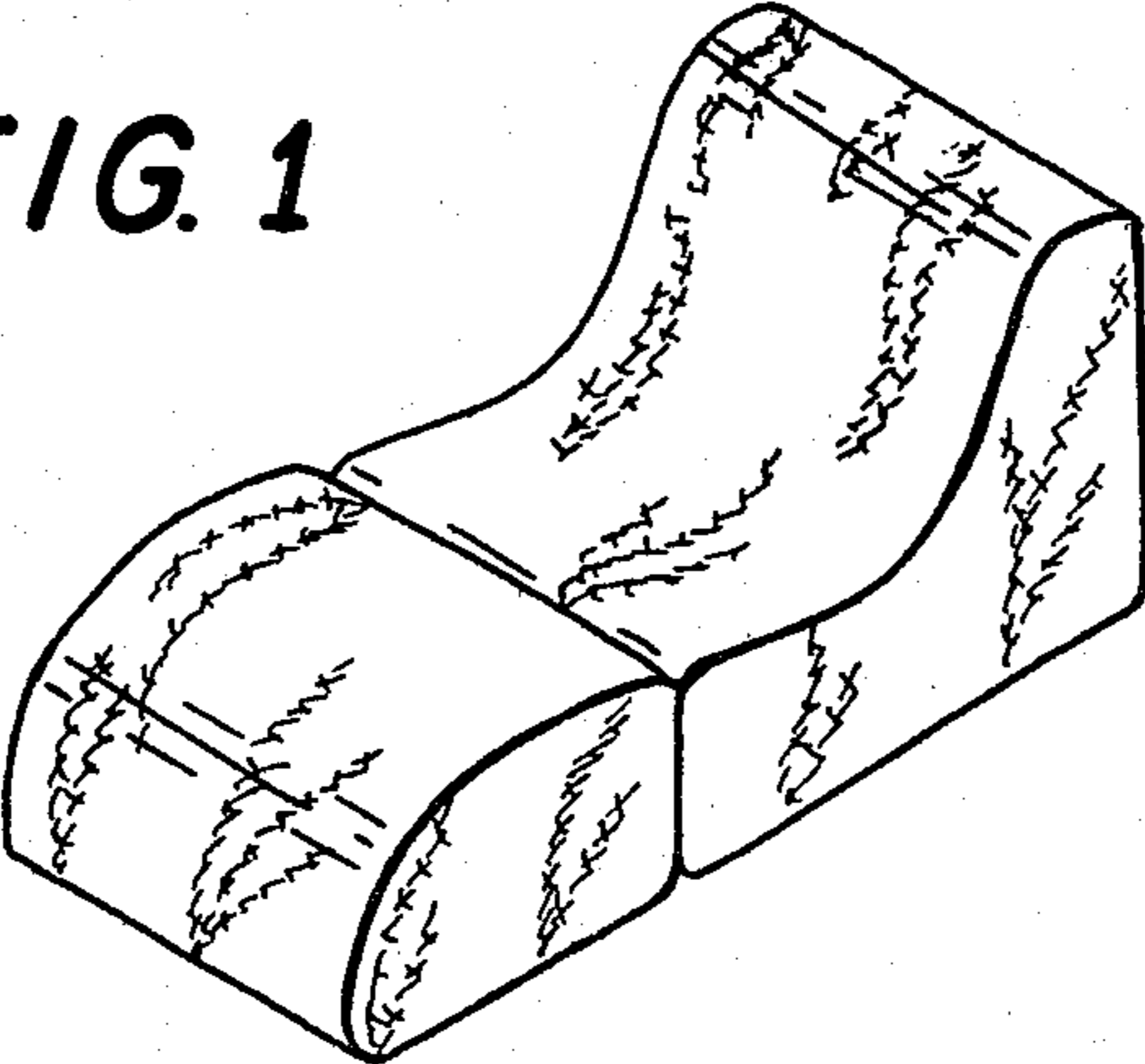
FIG. 10 is a side view thereof with the hassock folded over.



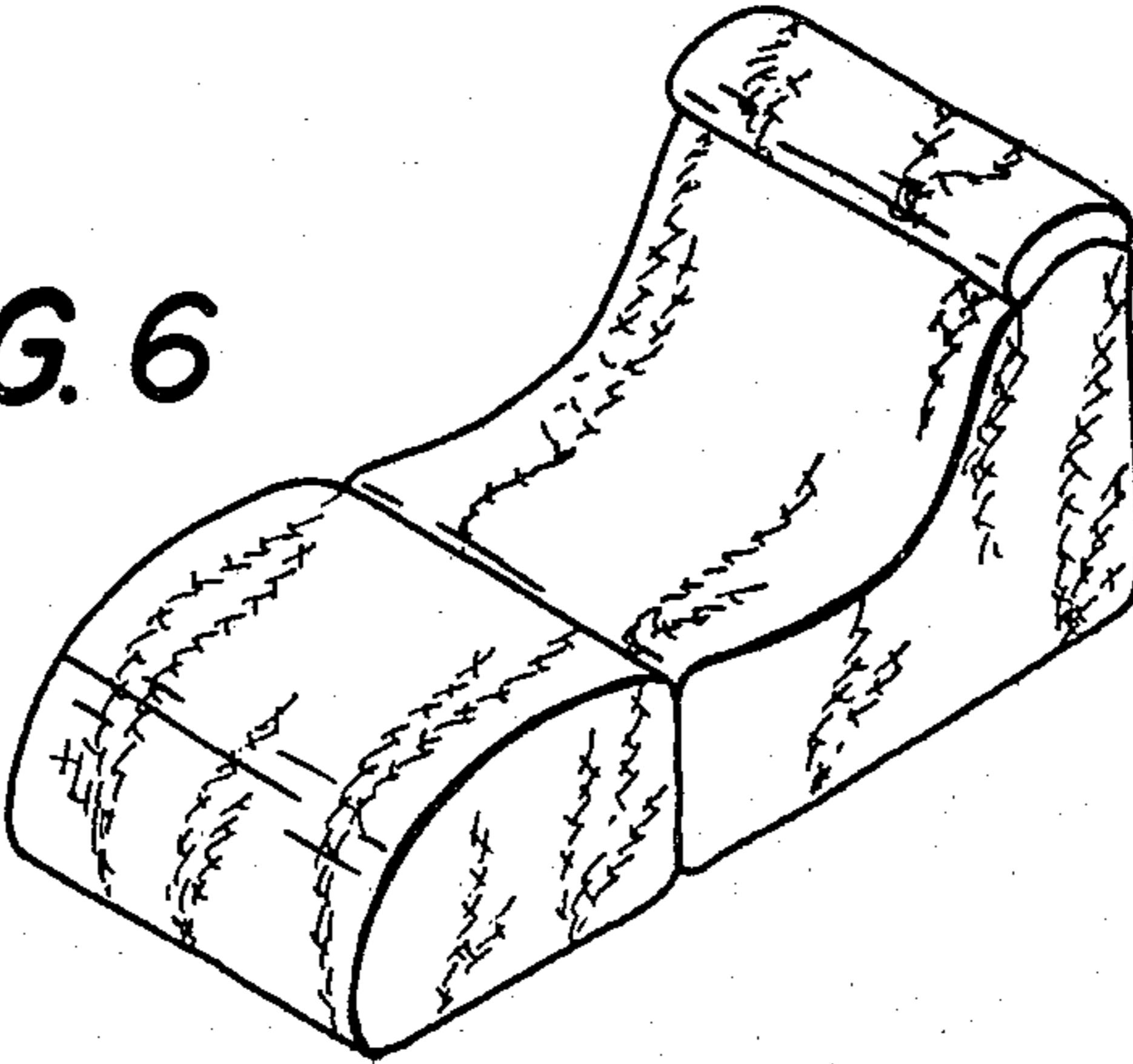
**FIG. 5**

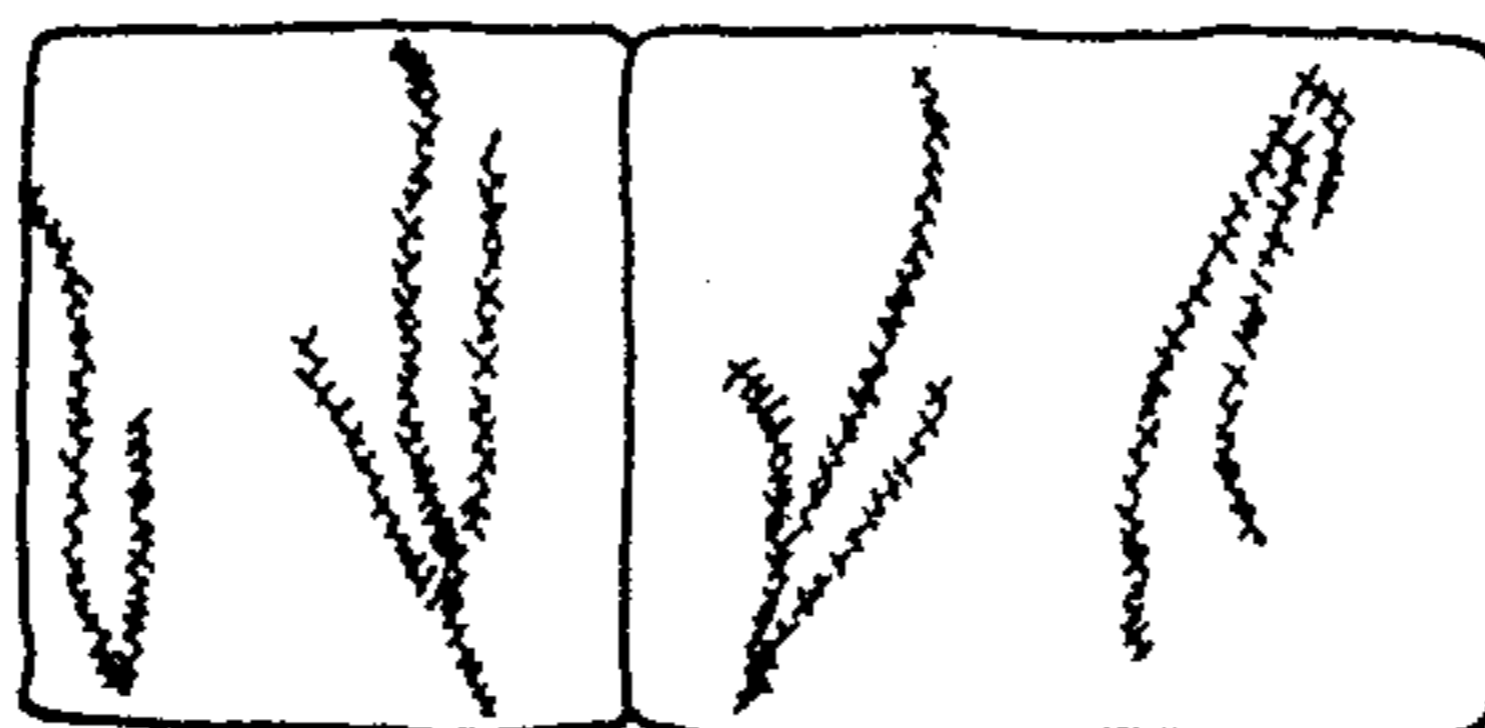


**FIG. 1**

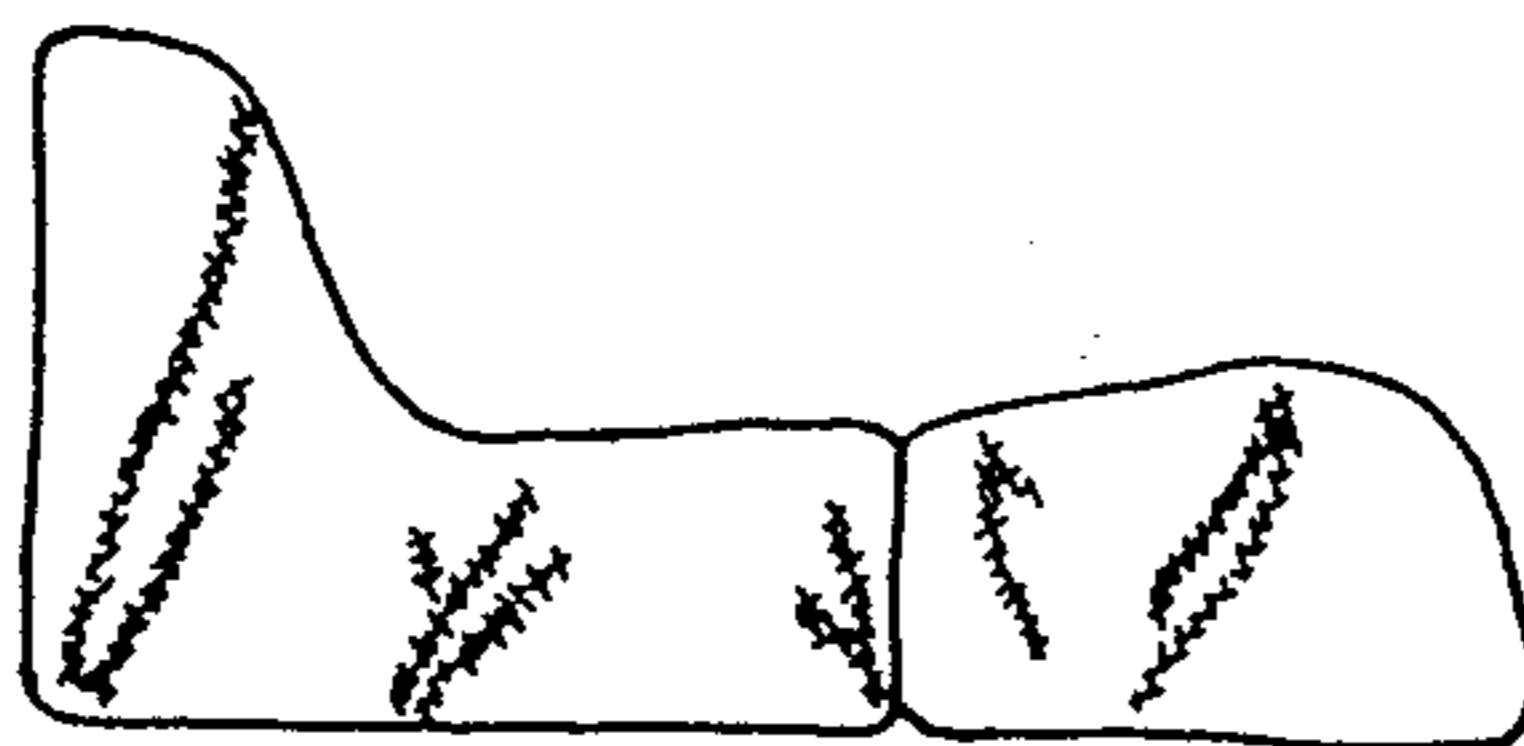


**FIG. 6**

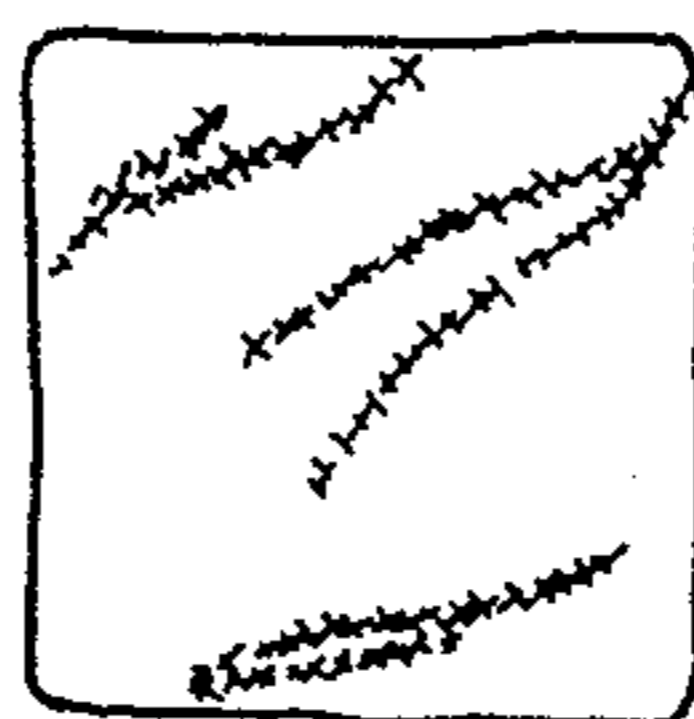




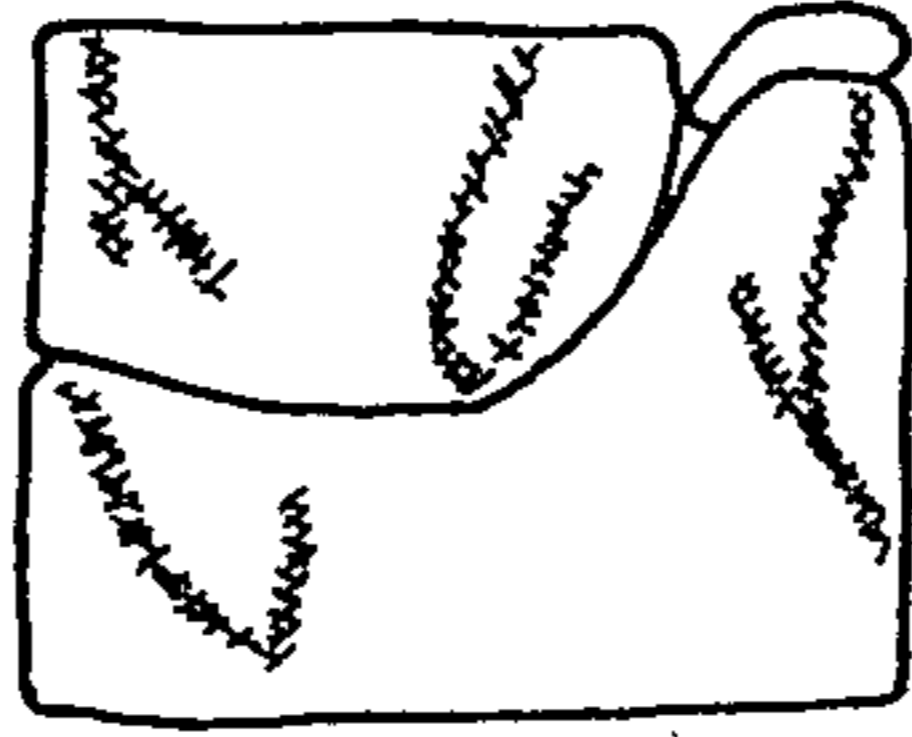
*FIG. 2*



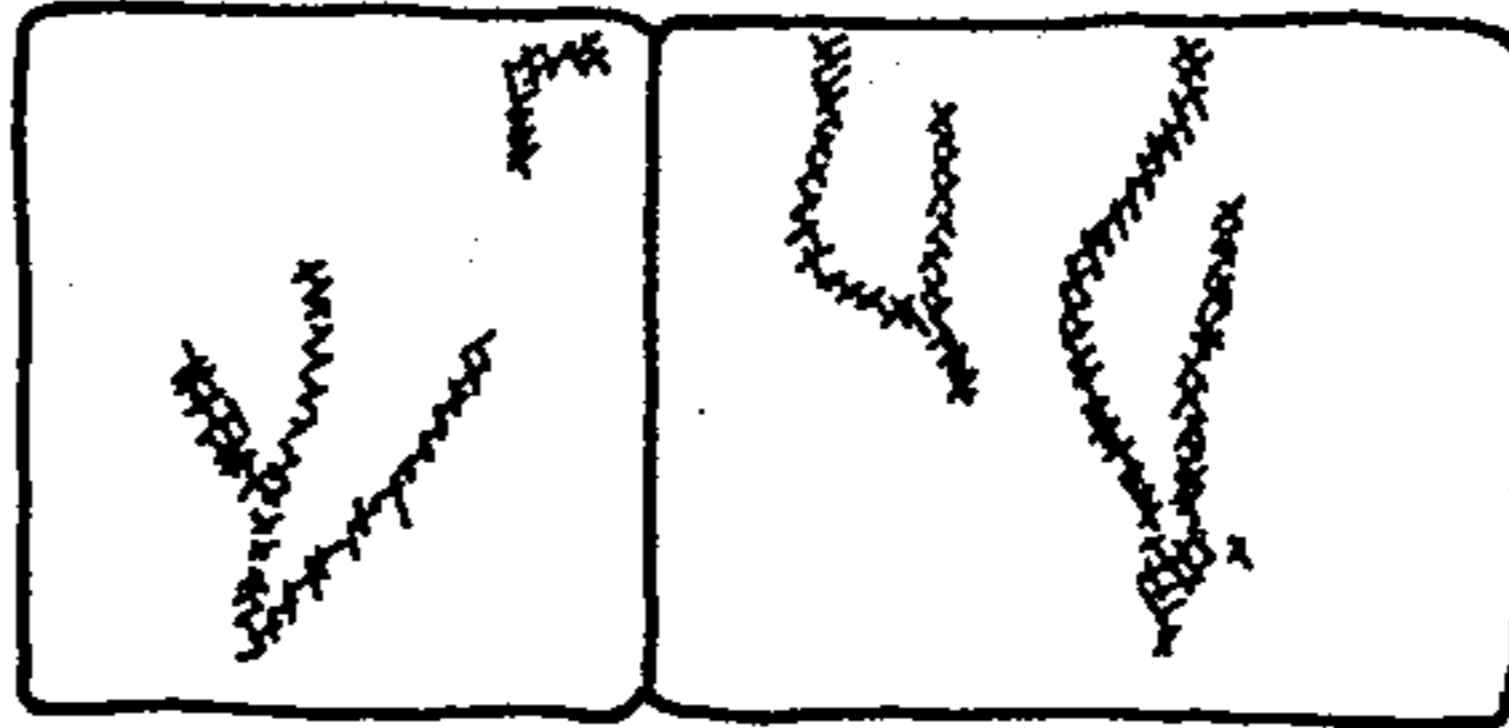
*FIG. 3*



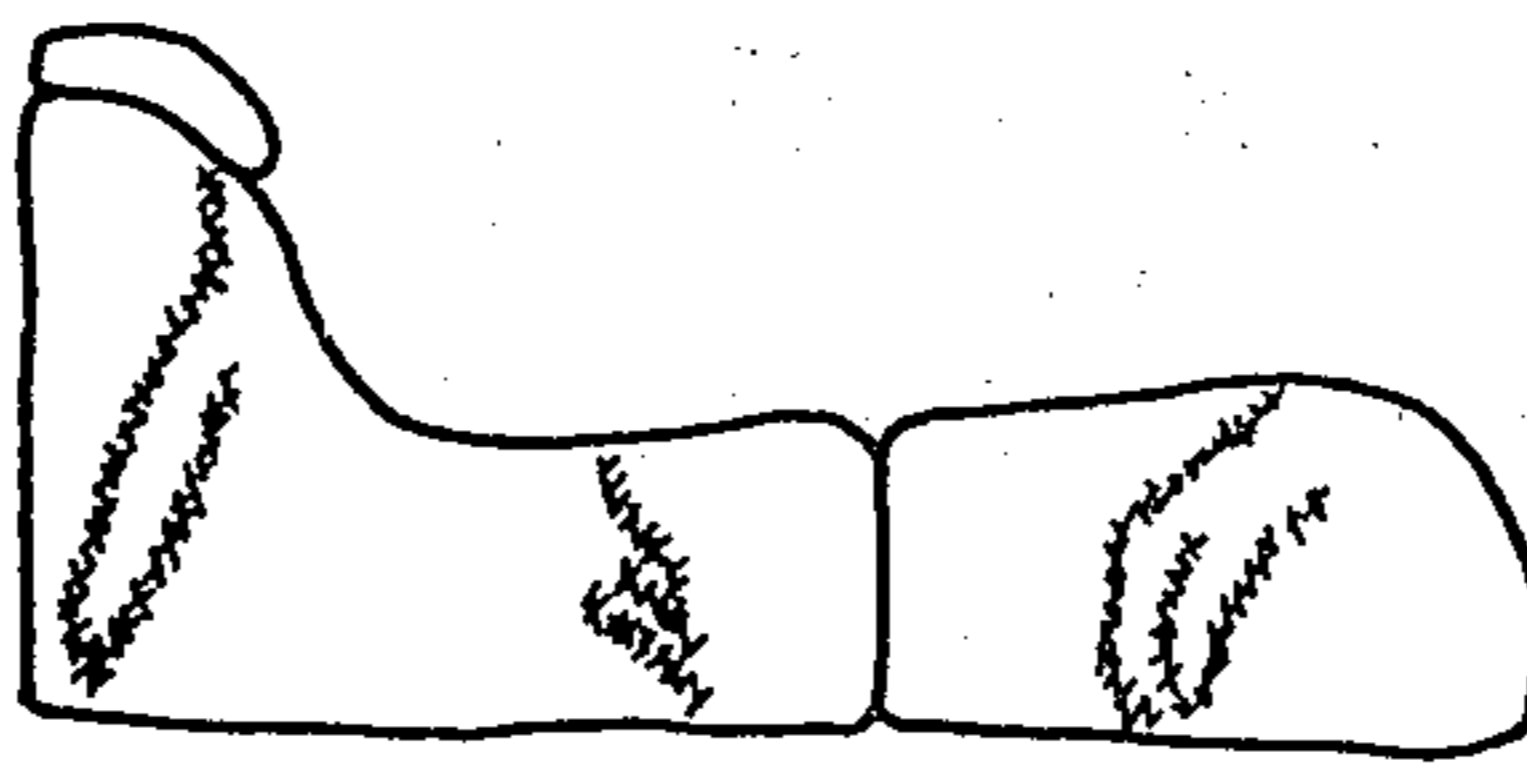
*FIG. 4*



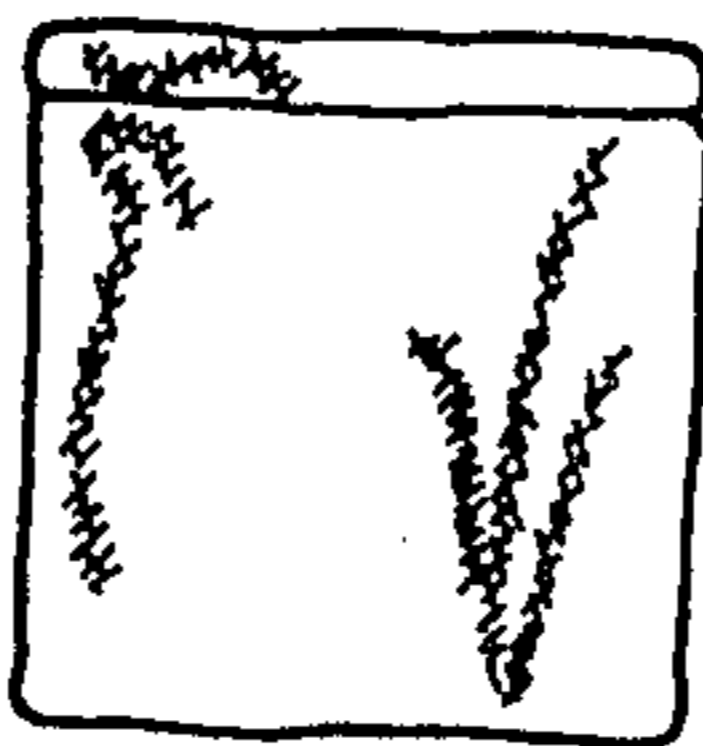
**FIG. 10**



**FIG. 7**



**FIG. 8**



**FIG. 9**