

United States Patent [19]
Torokvei

[11] **Patent Number: Des. 274,573**
[45] **Date of Patent: ** Jul. 3, 1984**

[54] **BOTTLE CARRIER**
[76] **Inventor: Thomas E. Torokvei, 15 Barnwood Dr., Don Mills, Ontario, Canada**
[**] **Term: 14 Years**
[21] **Appl. No.: 353,378**
[22] **Filed: Mar. 1, 1982**
[52] **U.S. Cl. D34/44; D9/341; D34/45**
[58] **Field of Search D34/40-46; 220/2, 15; 206/203, 510; D9/341**

D. 259,099 5/1981 Davis D34/4 X
3,178,052 4/1965 Bromley D34/45
4,342,388 8/1982 Torokvei 206/203

Primary Examiner—George P. Word
Attorney, Agent, or Firm—Blakely, Sokoloff, Taylor & Zafman

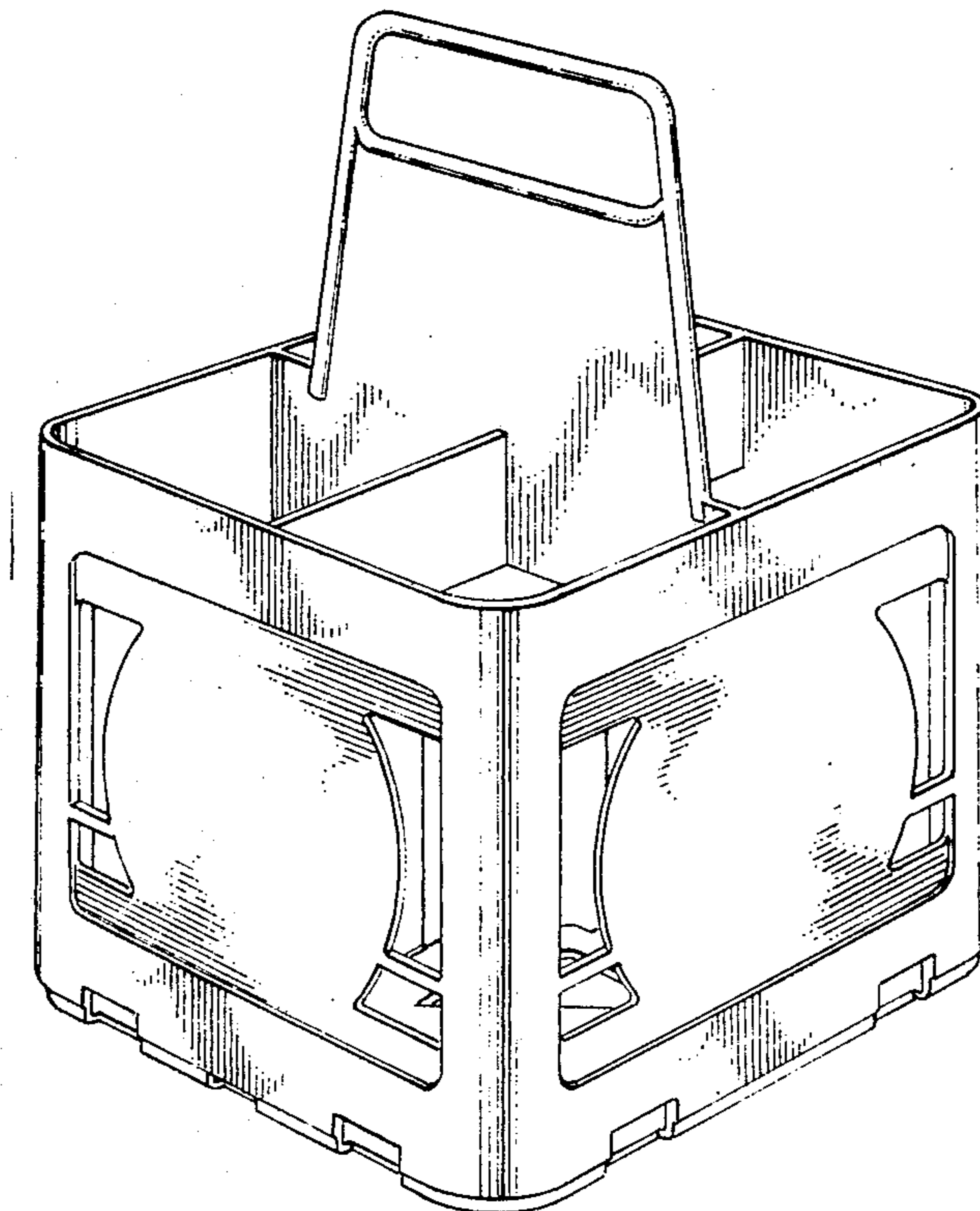
[57] **CLAIM**

The ornamental design for a bottle carrier, substantially as shown.

DESCRIPTION

FIG. 1 is a perspective view of a bottle carrier showing my new design;
FIG. 2 is an end elevational view thereof;
FIG. 3 is a top plan view thereof;
FIG. 4 is a side elevational view thereof; and
FIG. 5 is a bottom plan view thereof.

[56] **References Cited**
U.S. PATENT DOCUMENTS
D. 161,064 11/1950 Stevenson D34/44
D. 246,633 12/1977 Torokvei D34/4 X



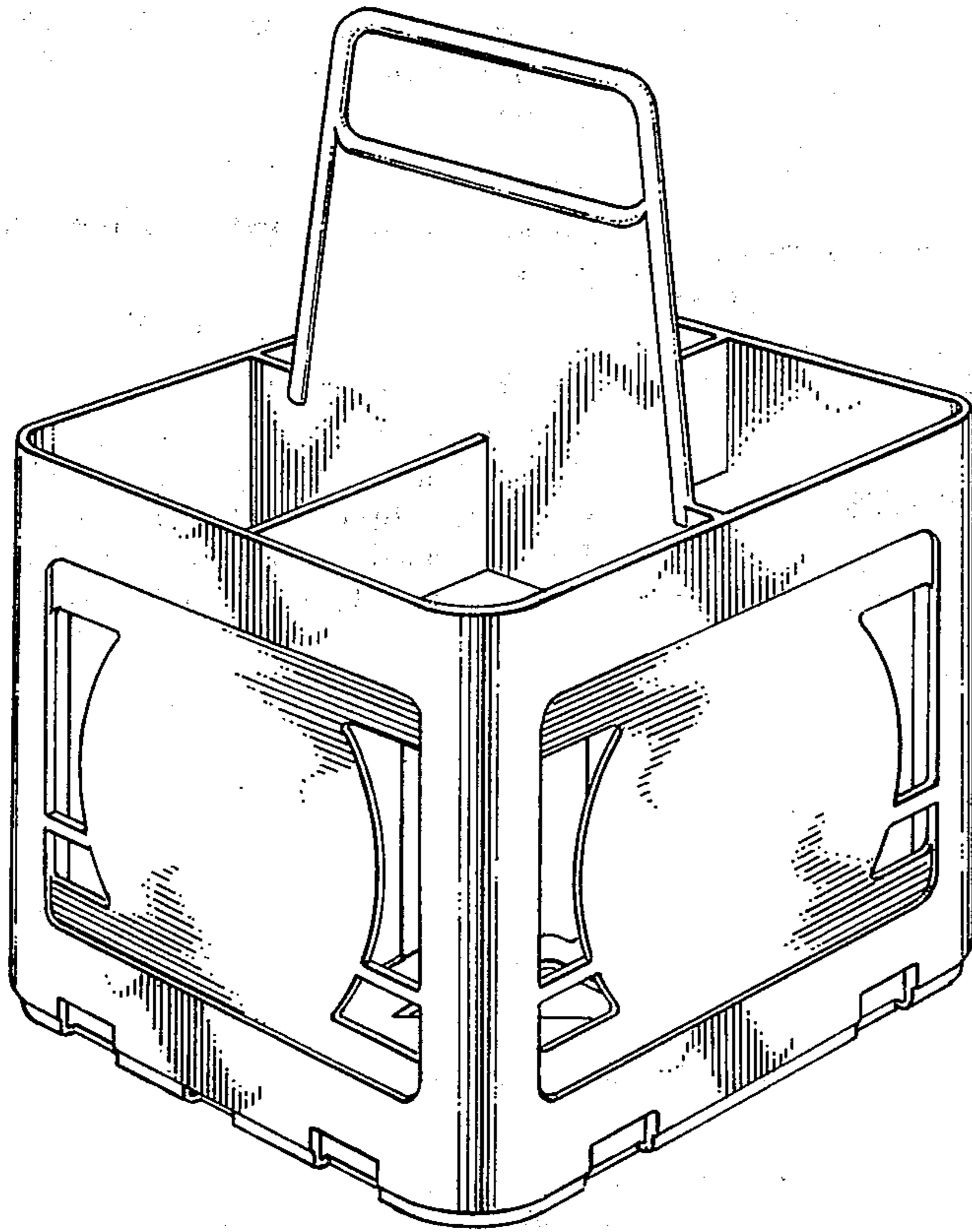


Fig. 1

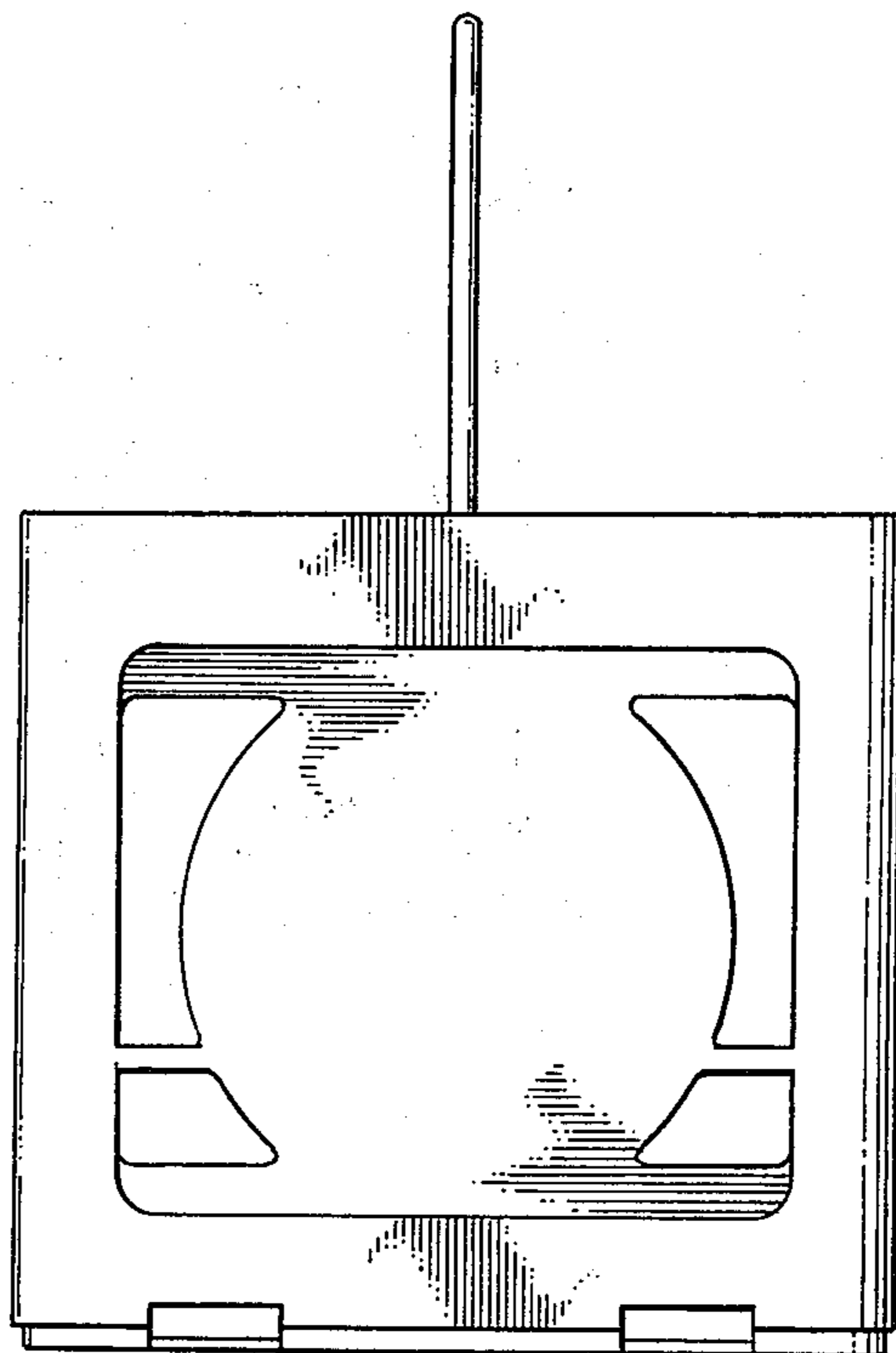


Fig. 2

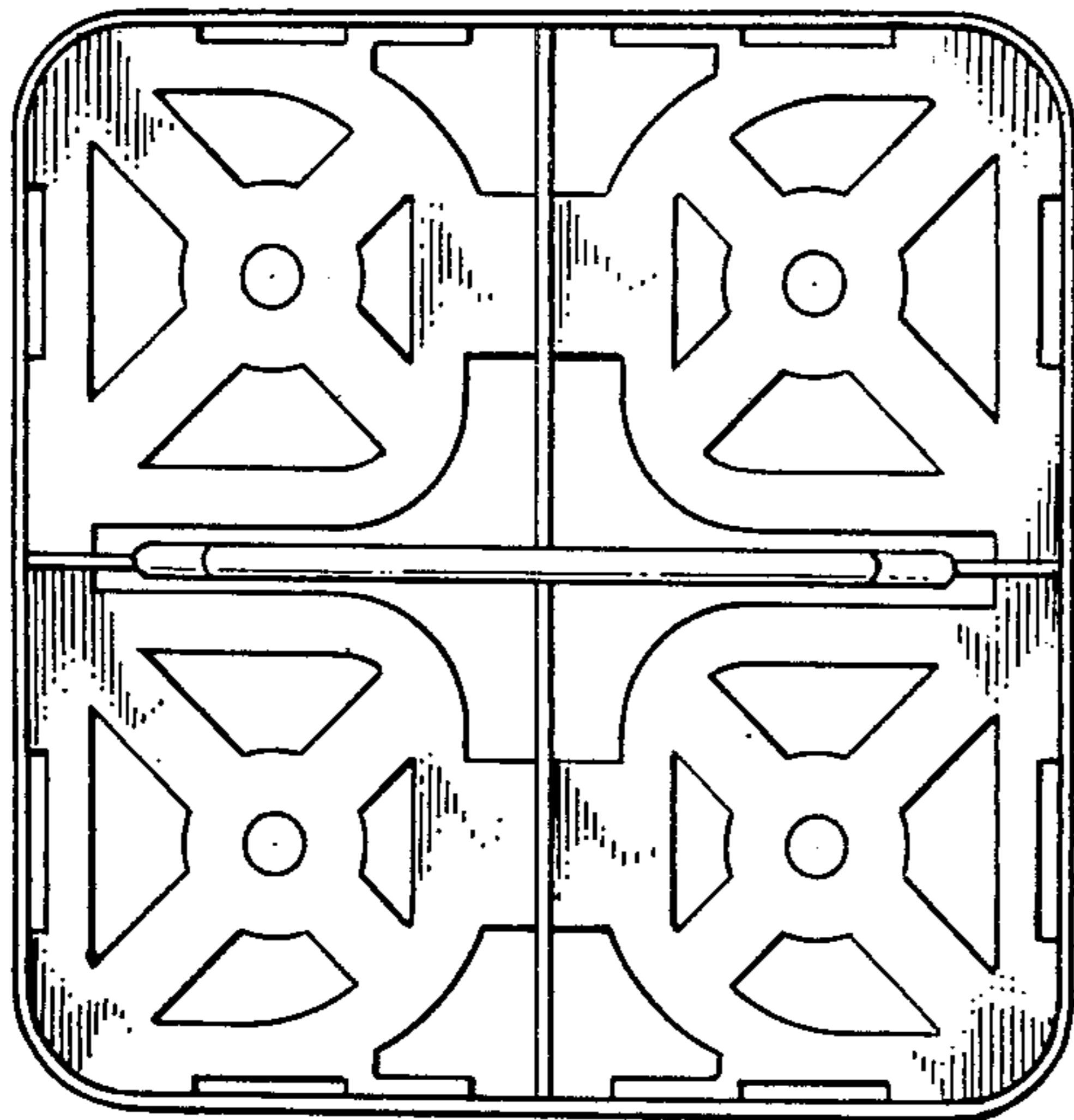


Fig. 3

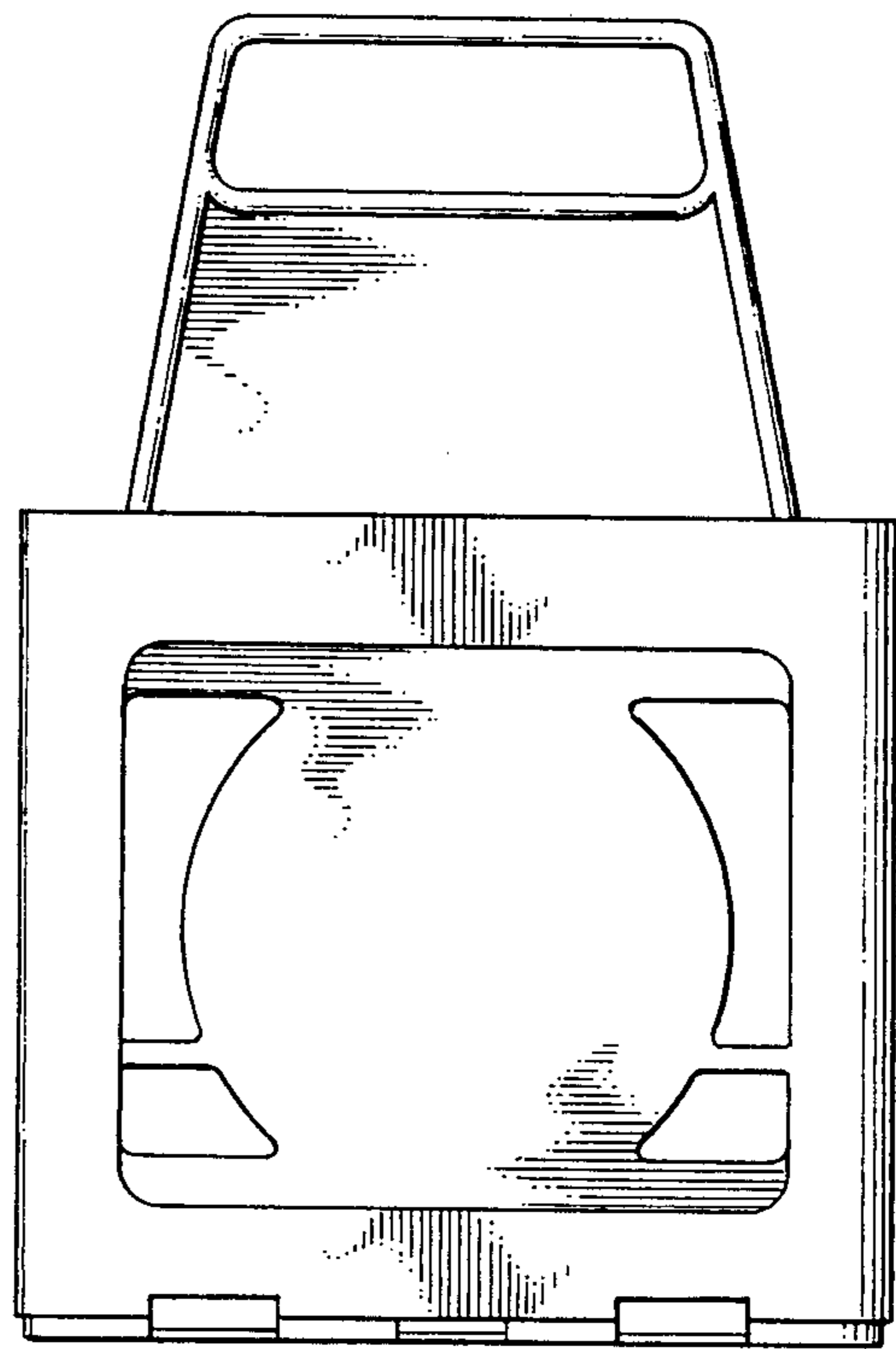


Fig. 4

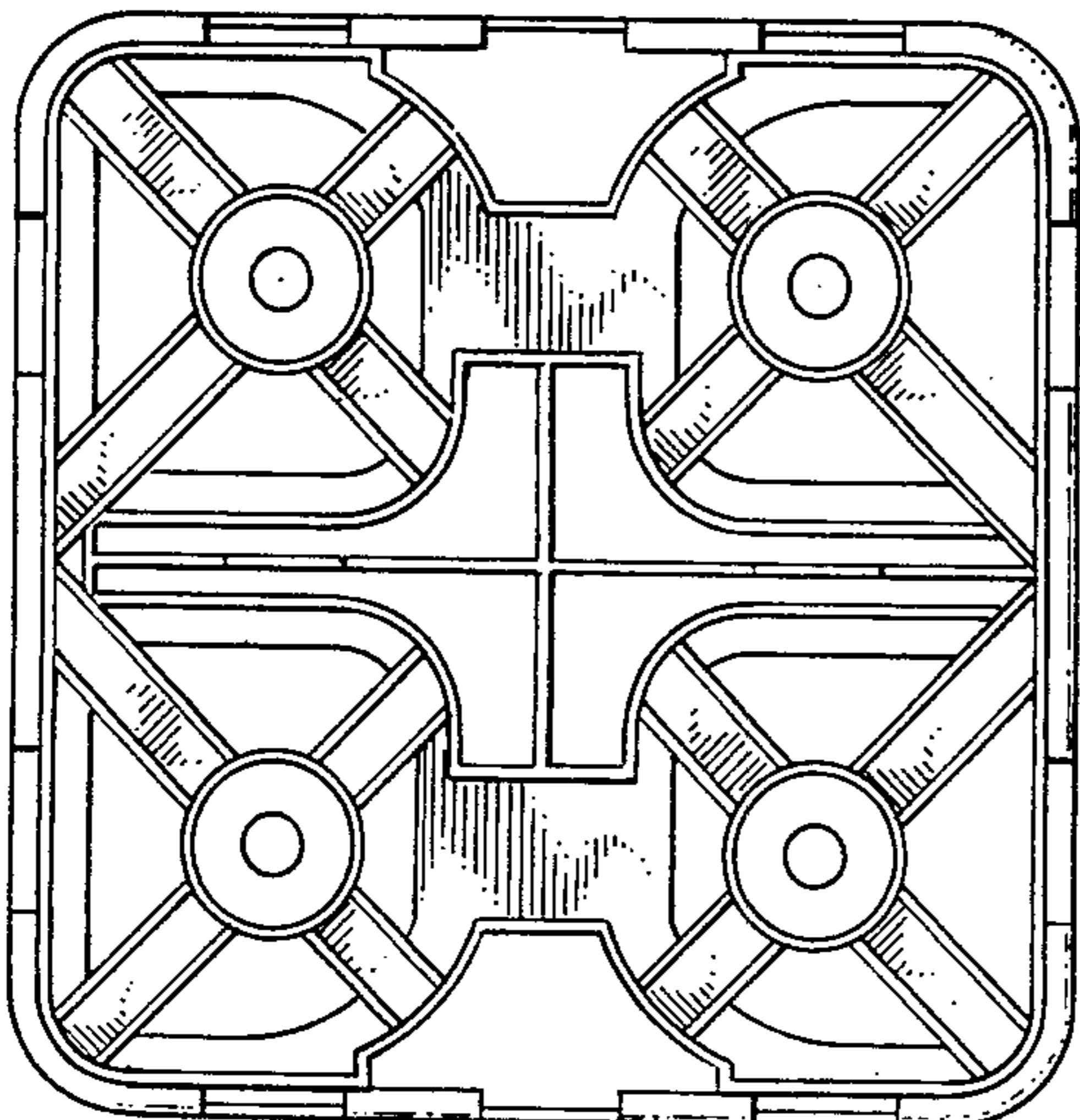


Fig. 5