

United States Patent [19]

Vermette

[11] Patent Number: **Des. 274,571**

[45] Date of Patent: **** Jul. 3, 1984**

[54] **MOBILE LIFT**

[75] Inventor: **Howard H. Vermette, Hammond, Ind.**

[73] Assignee: **Vermette Machine Company, Inc., Hammond, Ind.**

[**] Term: **14 Years**

[21] Appl. No.: **342,654**

[22] Filed: **Jan. 25, 1982**

[52] U.S. Cl. **D34/34**

[58] Field of Search **D34/33, 34; 187/9 R**

[56] **References Cited
PUBLICATIONS**

Turnkey Material Handling Inc. Catalog, ©1981, p. 23, Manual Lifter, top right side of page.

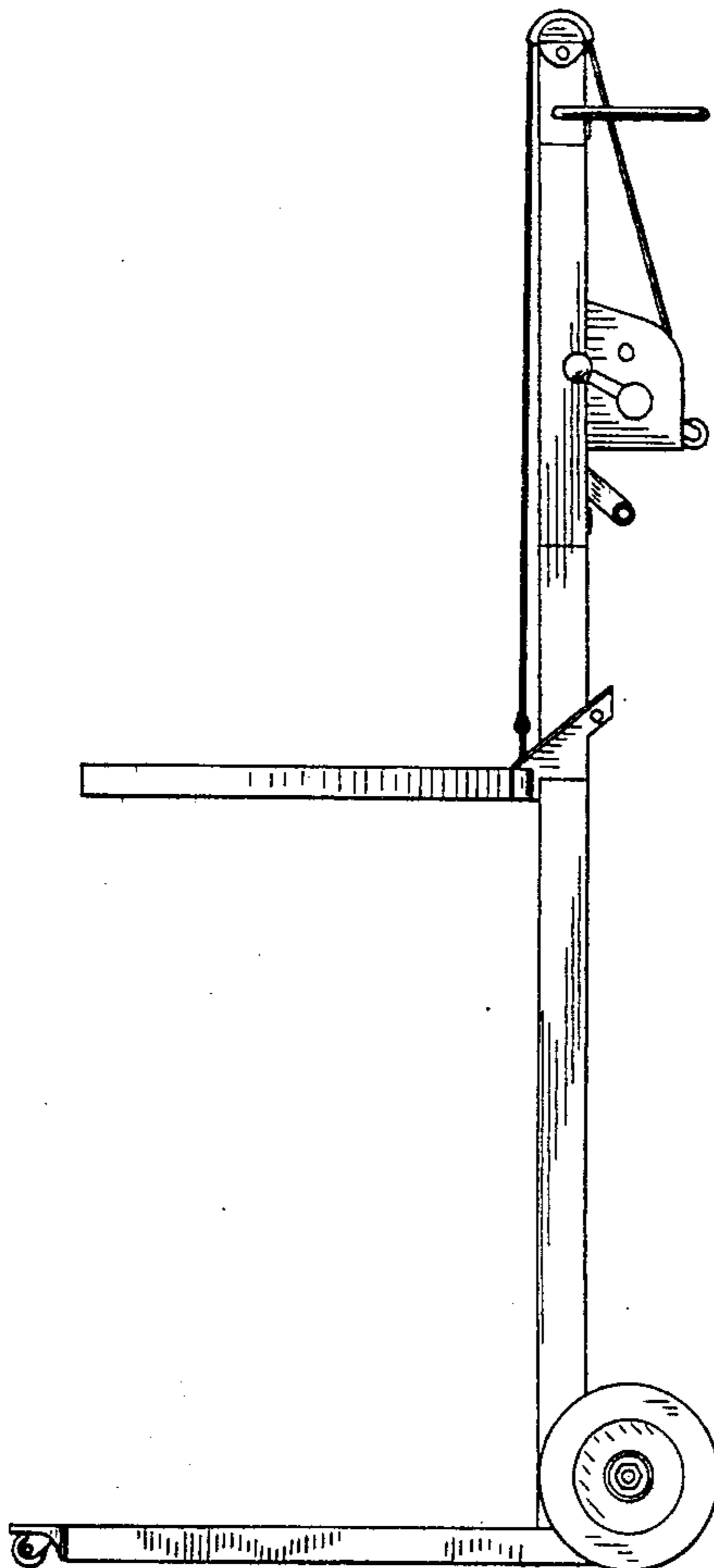
Primary Examiner—James M. Gandy
Attorney, Agent, or Firm—Walter Leuca

[57] **CLAIM**

The ornamental design for a mobile lift, substantially as shown.

DESCRIPTION

FIG. 1 is a front elevation view of the mobile lift embodying my new design;
FIG. 2 is a back elevation view thereof;
FIG. 3 is a side elevation view thereof;
FIG. 4 is a top view thereof; and
FIG. 5 is a bottom view thereof,



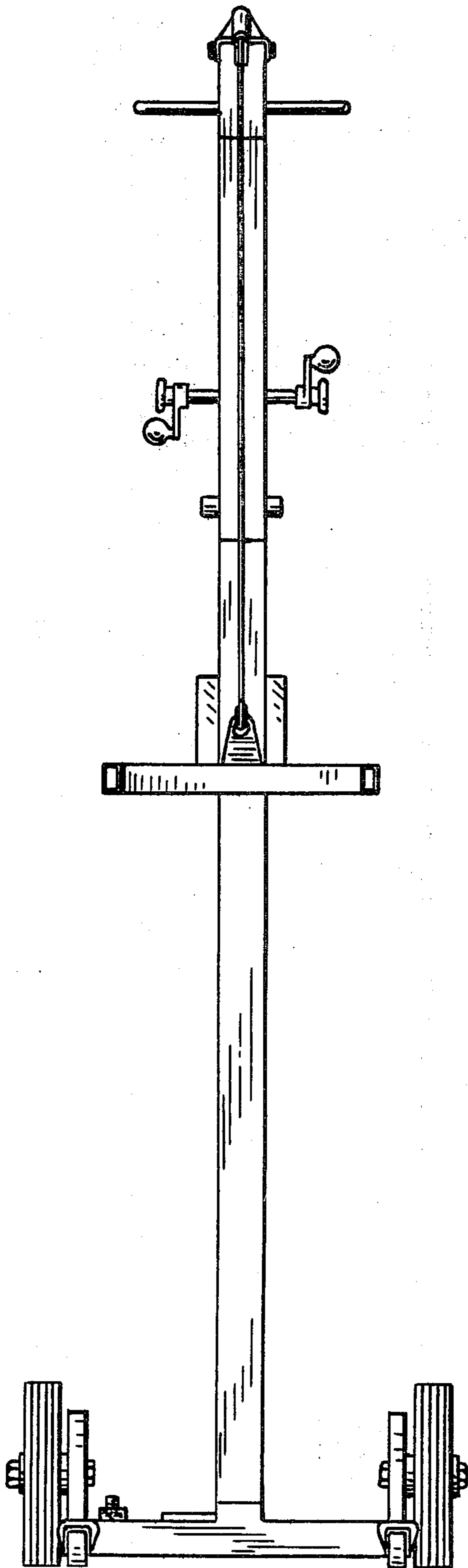


Fig-1

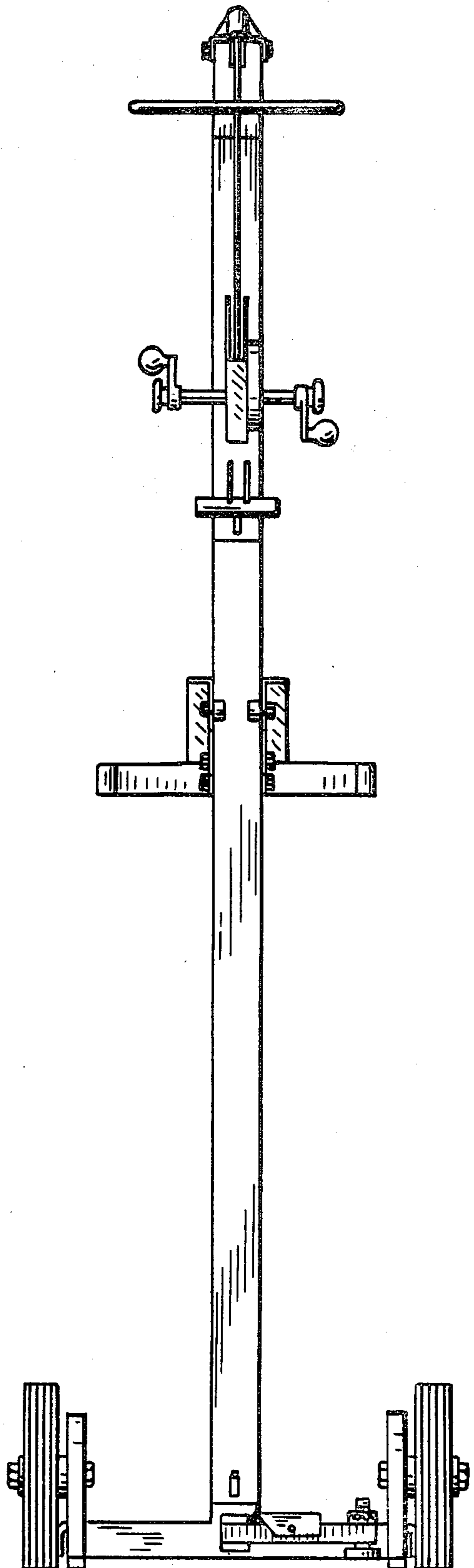


Fig-2

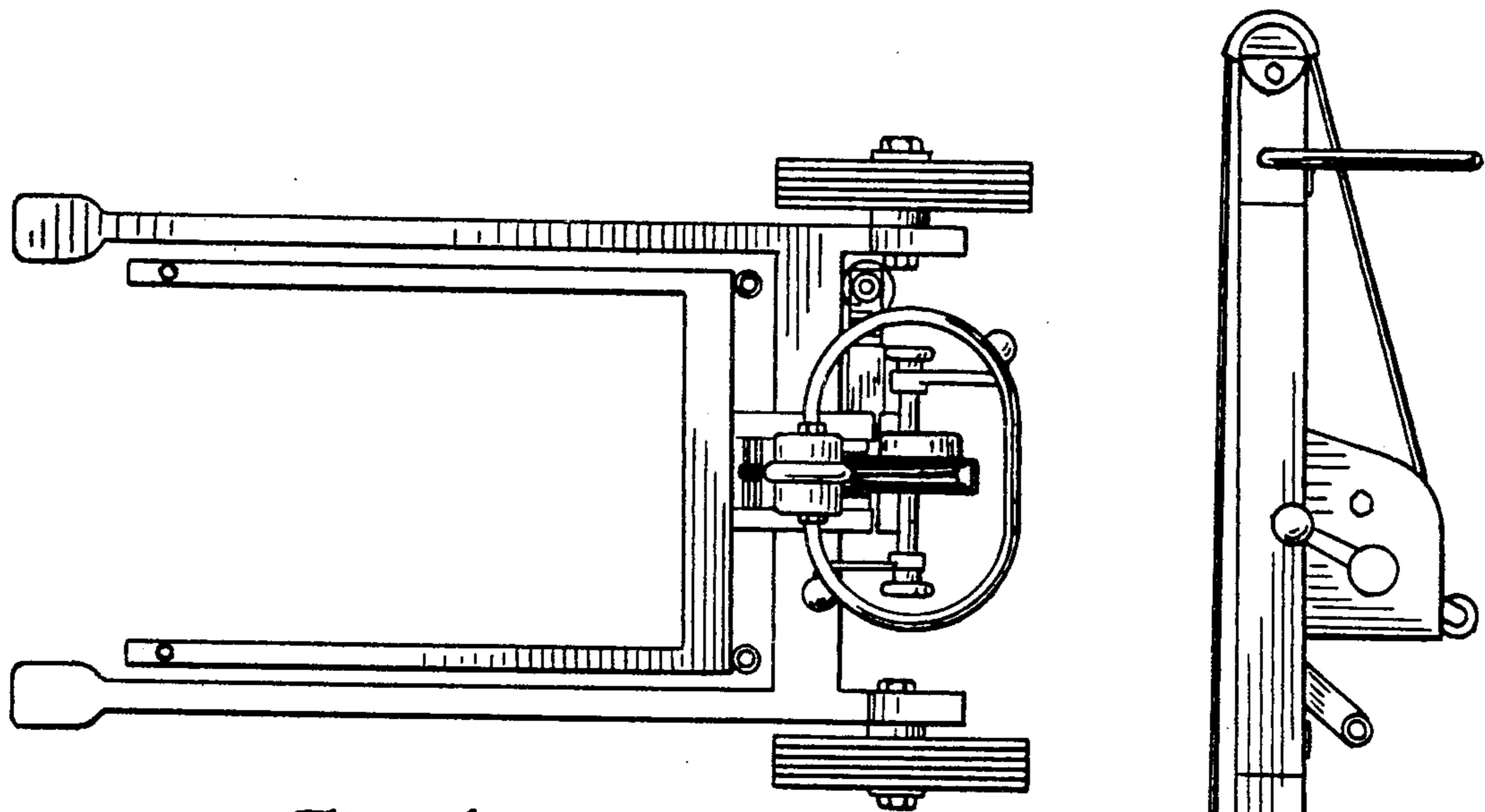


Fig.-4

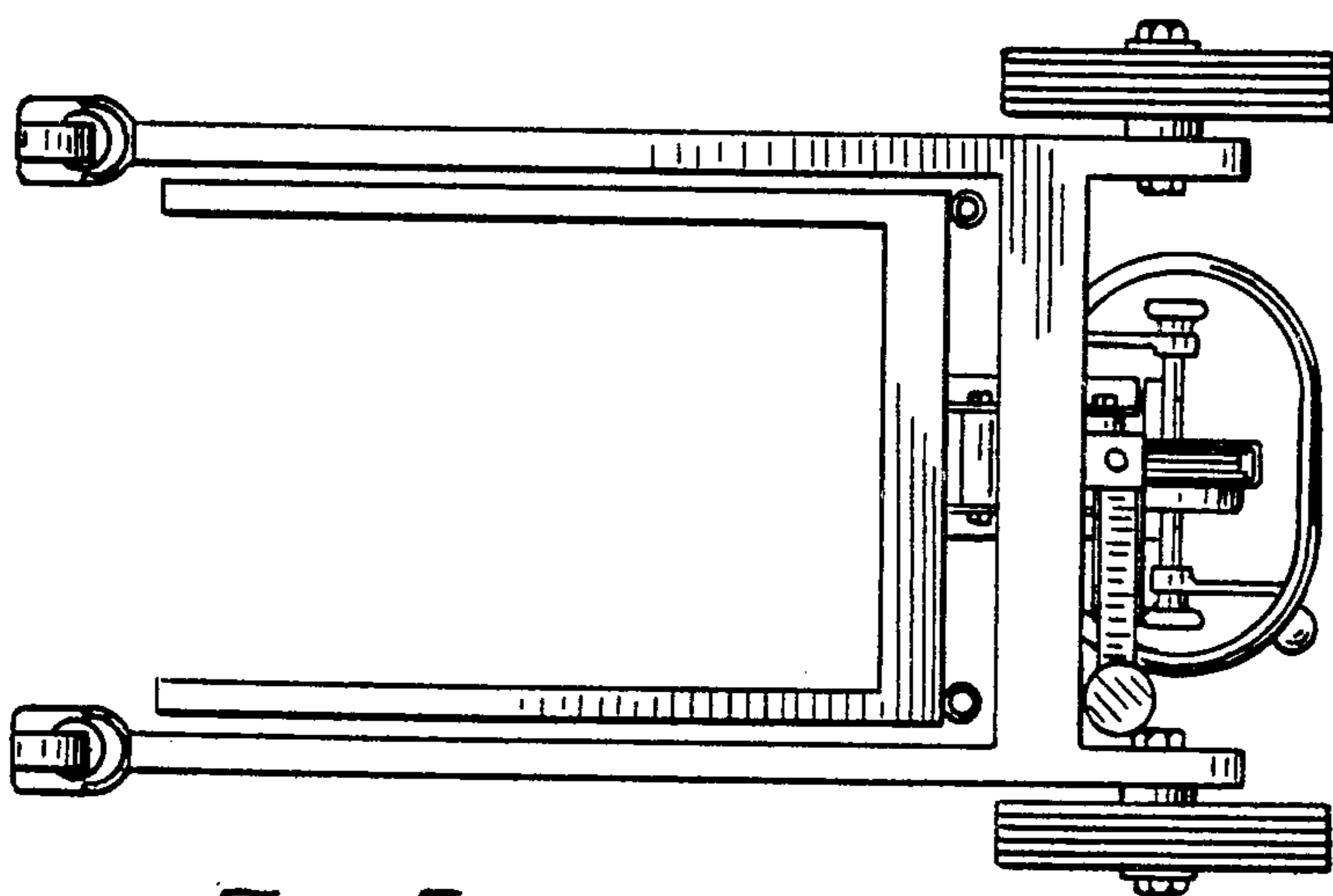


Fig-5

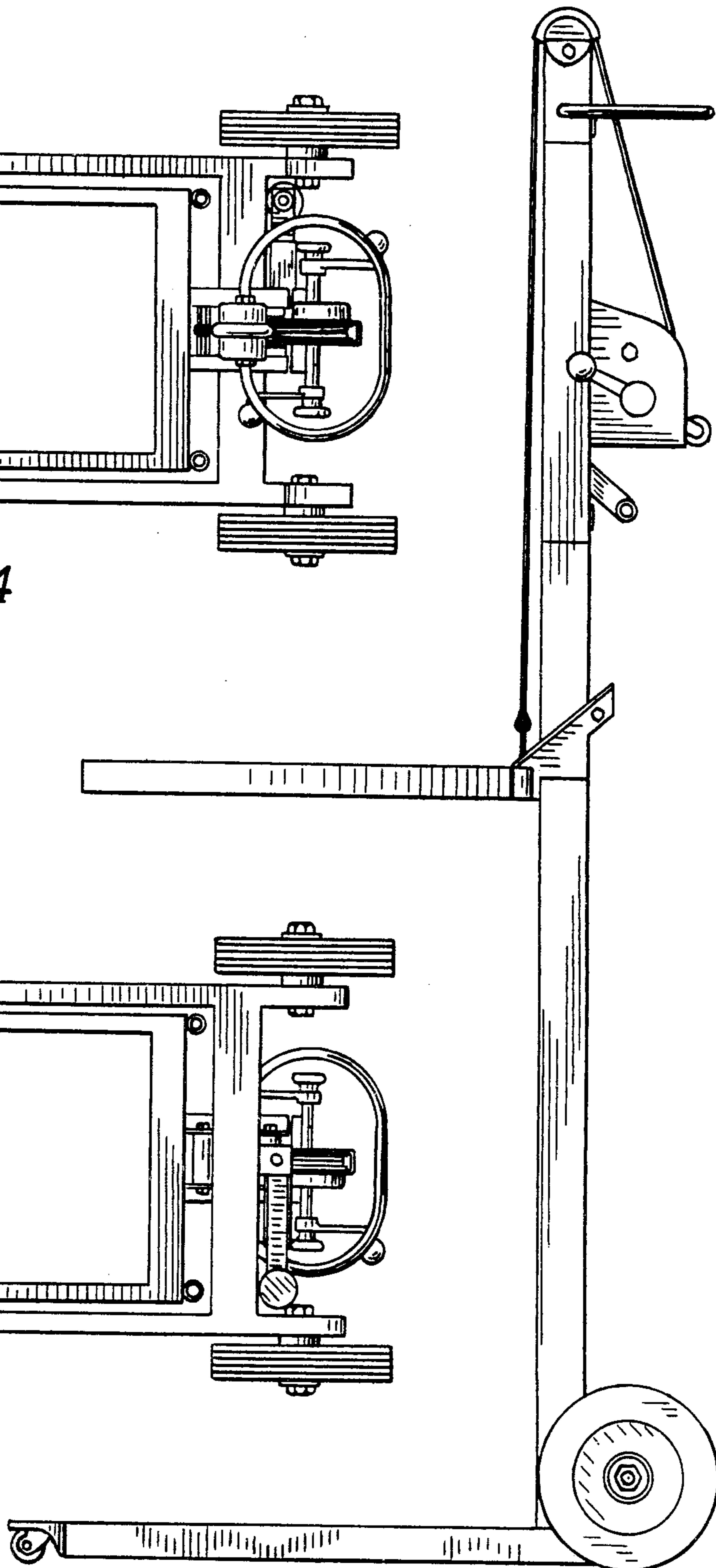


Fig.-3