

United States Patent [19]

Smith, Jr. et al.

[11] Patent Number: **Des. 274,565**

[45] Date of Patent: **** Jul. 3, 1984**

[54] **SQUEEZE MOP**

[75] Inventors: **William H. Smith, Jr.**, Holly Springs;
Robert S. Eldred, Southaven, both of
Miss.

[73] Assignee: **Gem, Incorporated**, Byhalia, Miss.

[**] Term: **14 Years**

[21] Appl. No.: **380,934**

[22] Filed: **May 21, 1982**

[52] U.S. Cl. **D32/44; D32/50**

[58] Field of Search **D32/40, 44, 50, 51;**
15/116 R, 116 A, 119 R, 119 A, 244 R

[56] **References Cited**

U.S. PATENT DOCUMENTS

2,683,887 7/1954 Bell 15/119 A
3,023,438 3/1962 Trentel 15/119 A

FOREIGN PATENT DOCUMENTS

1908928 9/1970 Fed. Rep. of Germany ... 15/119 A
700477 12/1953 United Kingdom 15/119 A
1072548 6/1967 United Kingdom 15/119 A

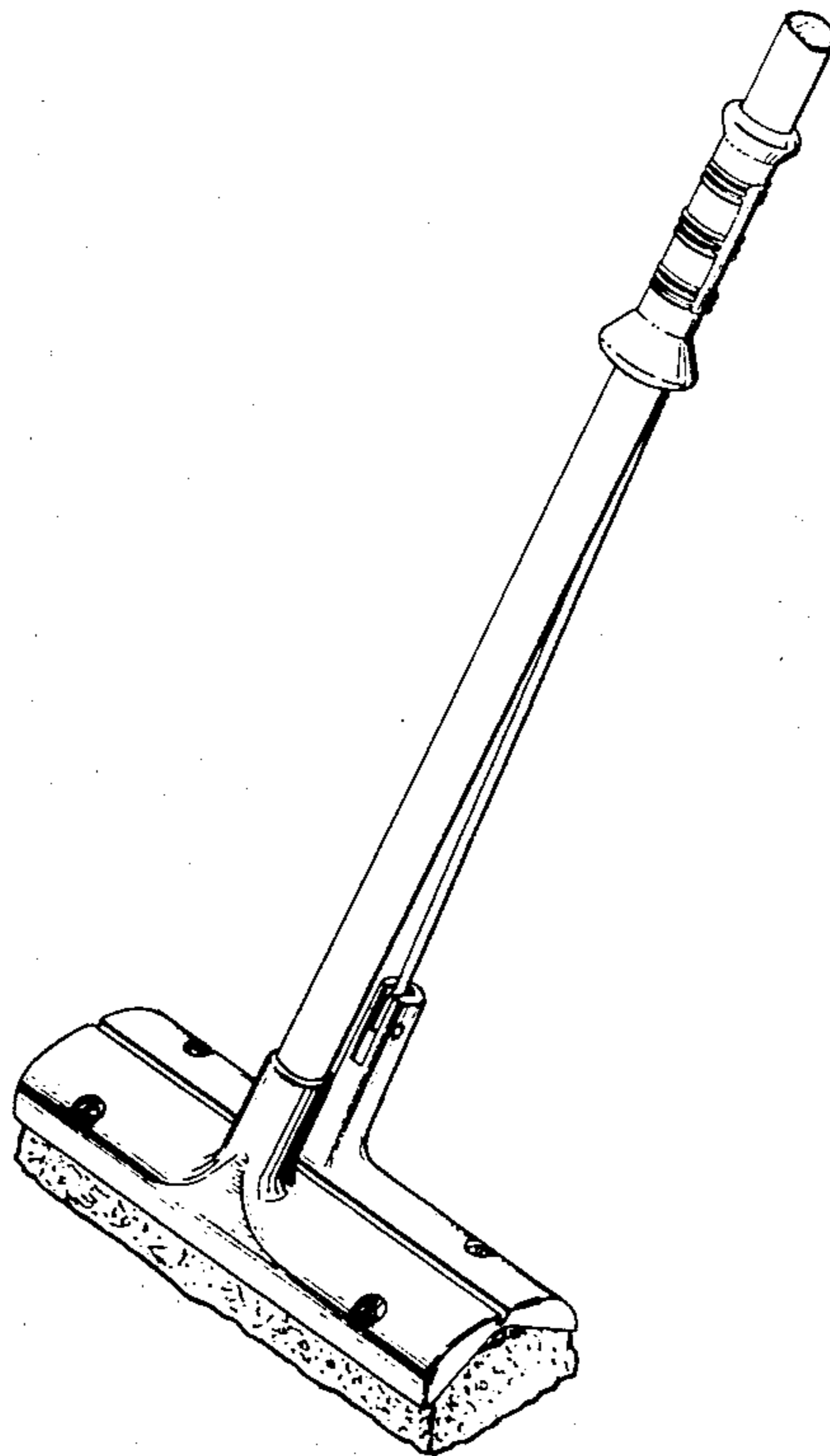
Primary Examiner—Catherine E. Kemper
Attorney, Agent, or Firm—Mason, Fenwick & Lawrence

[57] **CLAIM**

The ornamental design for a squeeze mop, substantially as shown and described.

DESCRIPTION

FIG. 1 is a perspective view of a squeeze mop showing my new design;
FIG. 2 is a front elevation view thereof;
FIG. 3 is a top plan view thereof;
FIG. 4 is a side elevation view thereof; and
FIG. 5 is a rear elevation view thereof.
The conventional mop handle has been shown fragmentarily in all views for ease of illustration.



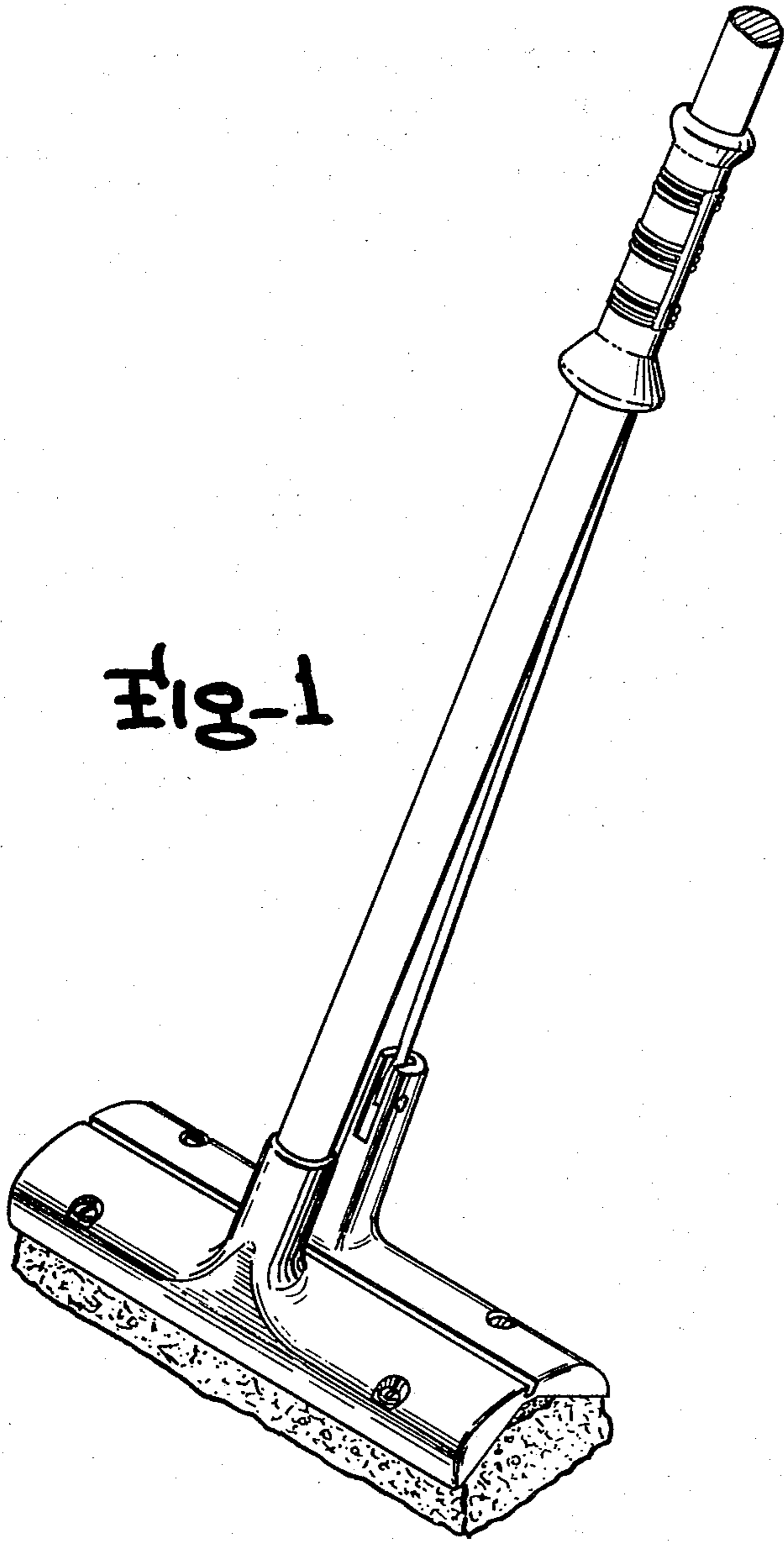


Fig-1

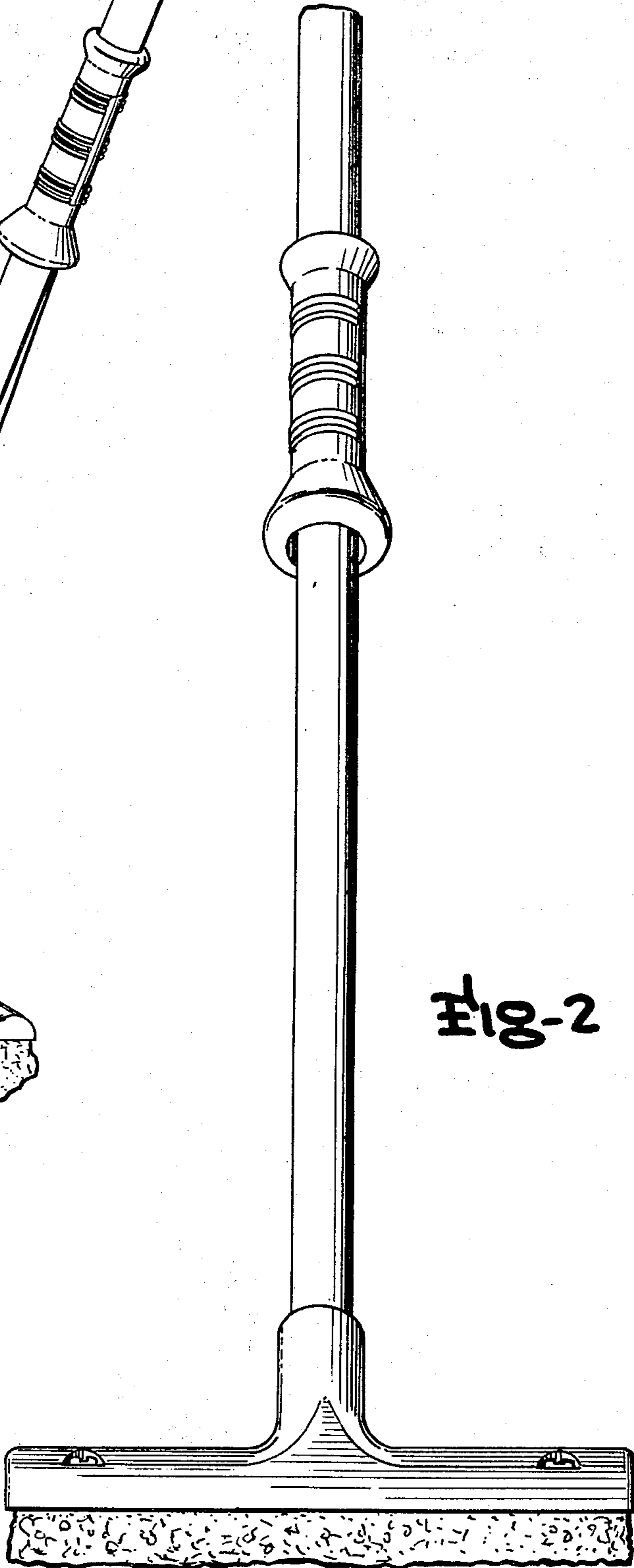


Fig-2

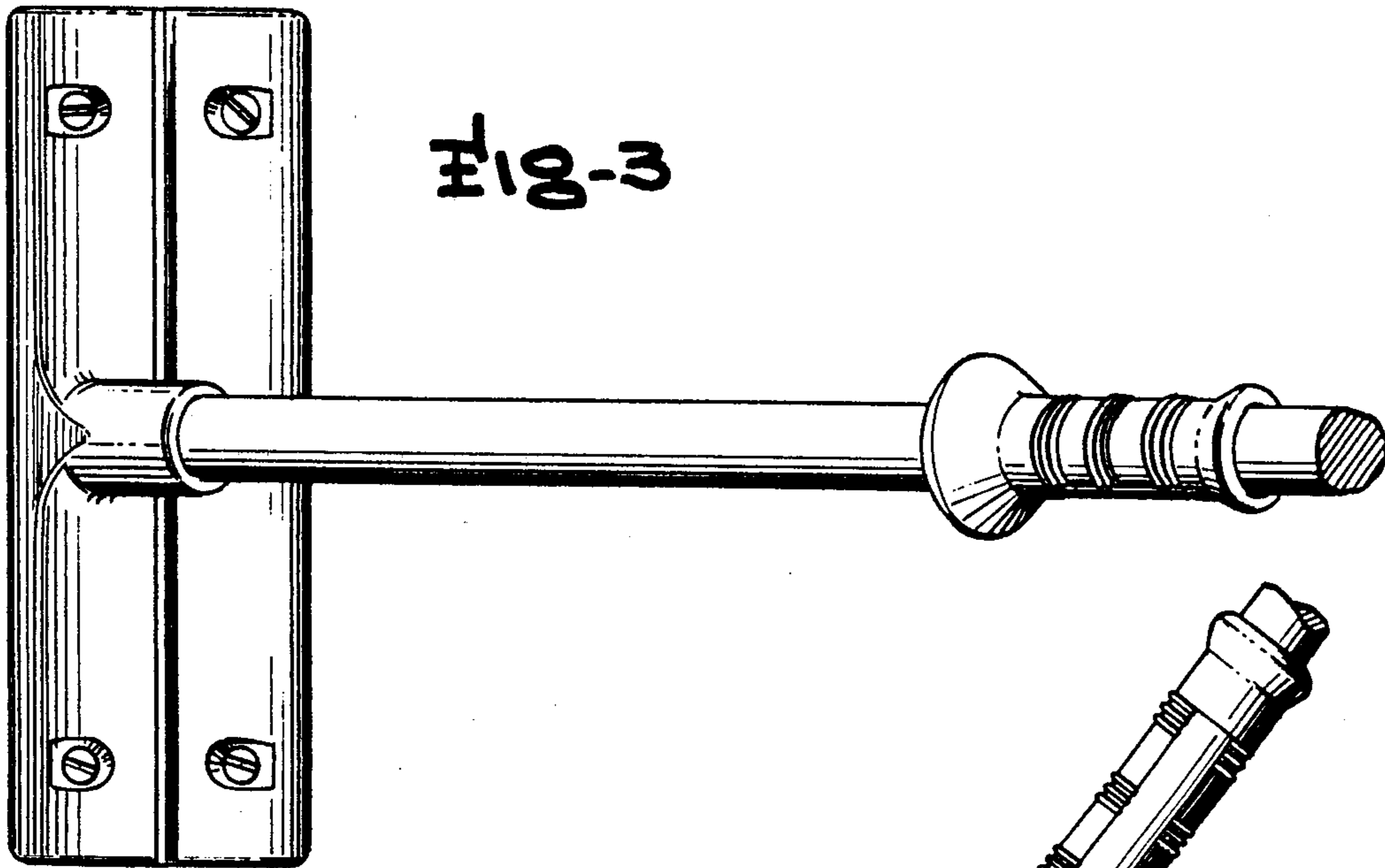


Fig-3

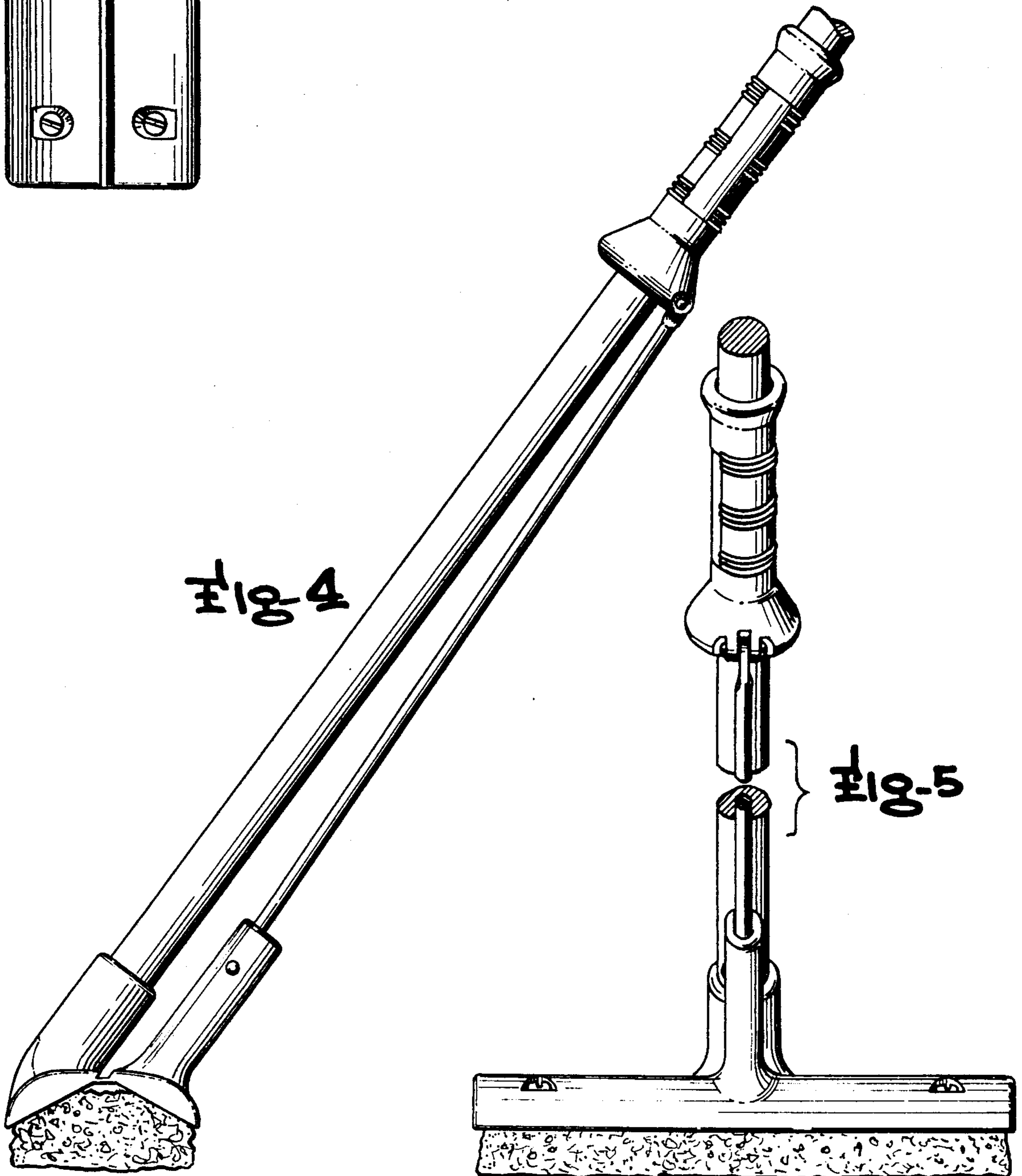


Fig-4

Fig-5