

[54] **ANIMAL TRAP**

[76] **Inventor: Frank R. Scarpelli, 3637 N. Nottingham, Chicago, Ill. 60634**

[**] **Term: 14 Years**

[21] **Appl. No.: 426,850**

[22] **Filed: Sep. 29, 1982**

[52] **U.S. Cl. D22/18**

[58] **Field of Search D22/18; 43/58, 60, 61, 43/74, 76, 81, 82, 83**

[56] **References Cited**

U.S. PATENT DOCUMENTS

4,080,749	3/1978	Gilbaugh	43/61
4,162,588	7/1979	Wyant	43/61
4,342,172	8/1982	Guanci	43/61

Primary Examiner—A. Hugo Word
Attorney, Agent, or Firm—Merriam, Marshall & Bicknell

[57] **CLAIM**

The ornamental design for an animal trap, as shown and described.

DESCRIPTION

FIG. 1 is a perspective view of an animal trap showing my new design;

FIG. 2 is a rear view of the animal trap of FIG. 1;

FIG. 3 is a front elevational view of the animal trap of FIG. 1;

FIG. 4 is a top view of the animal trap of FIG. 1;

FIG. 5 is an elevational view from the left side of FIG. 1, the right elevational view being a mirror image thereof; and

FIG. 6 is a front elevational view of the animal trap of FIG. 1 with the door in an opened condition.

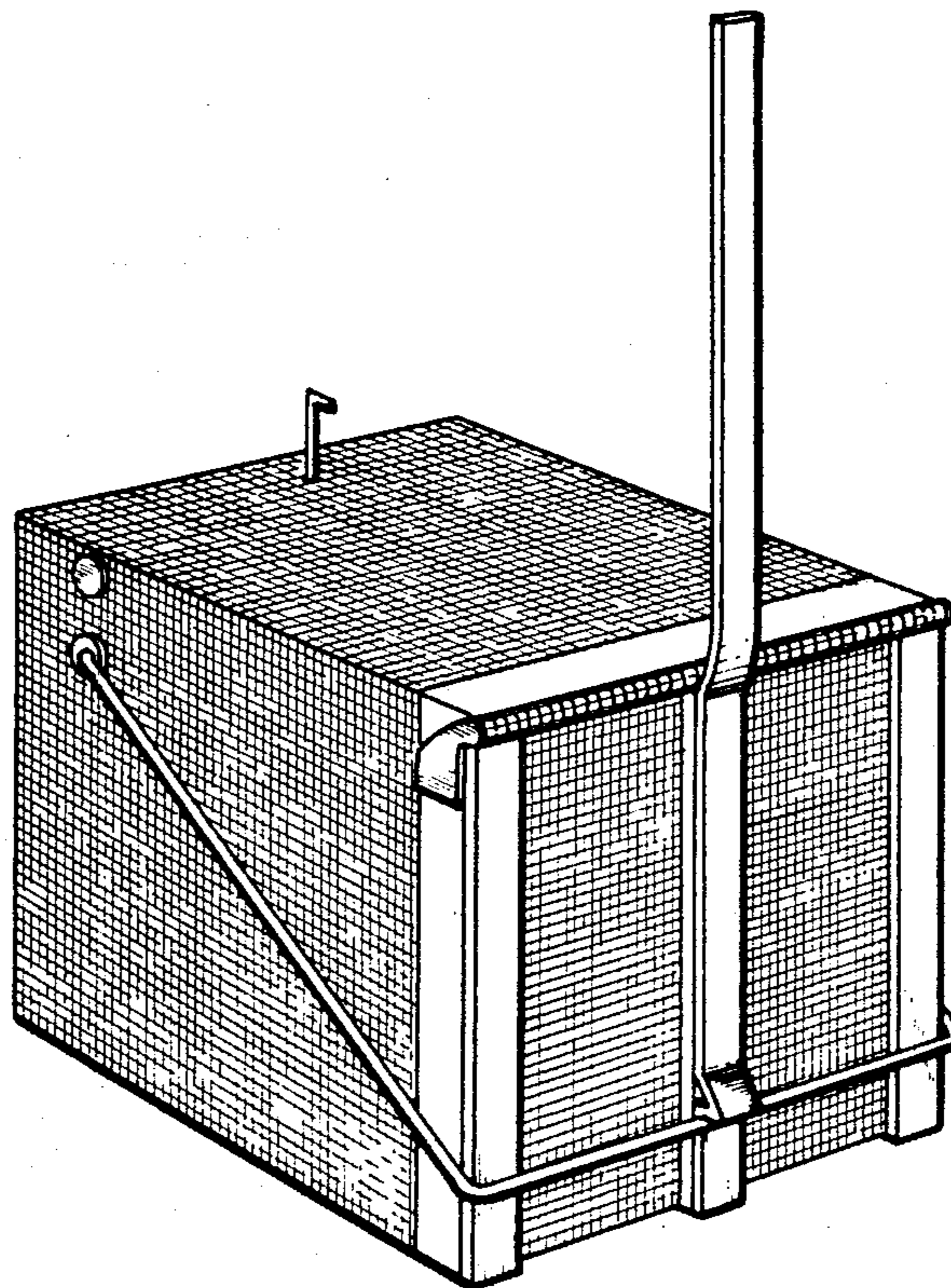


FIG. 1

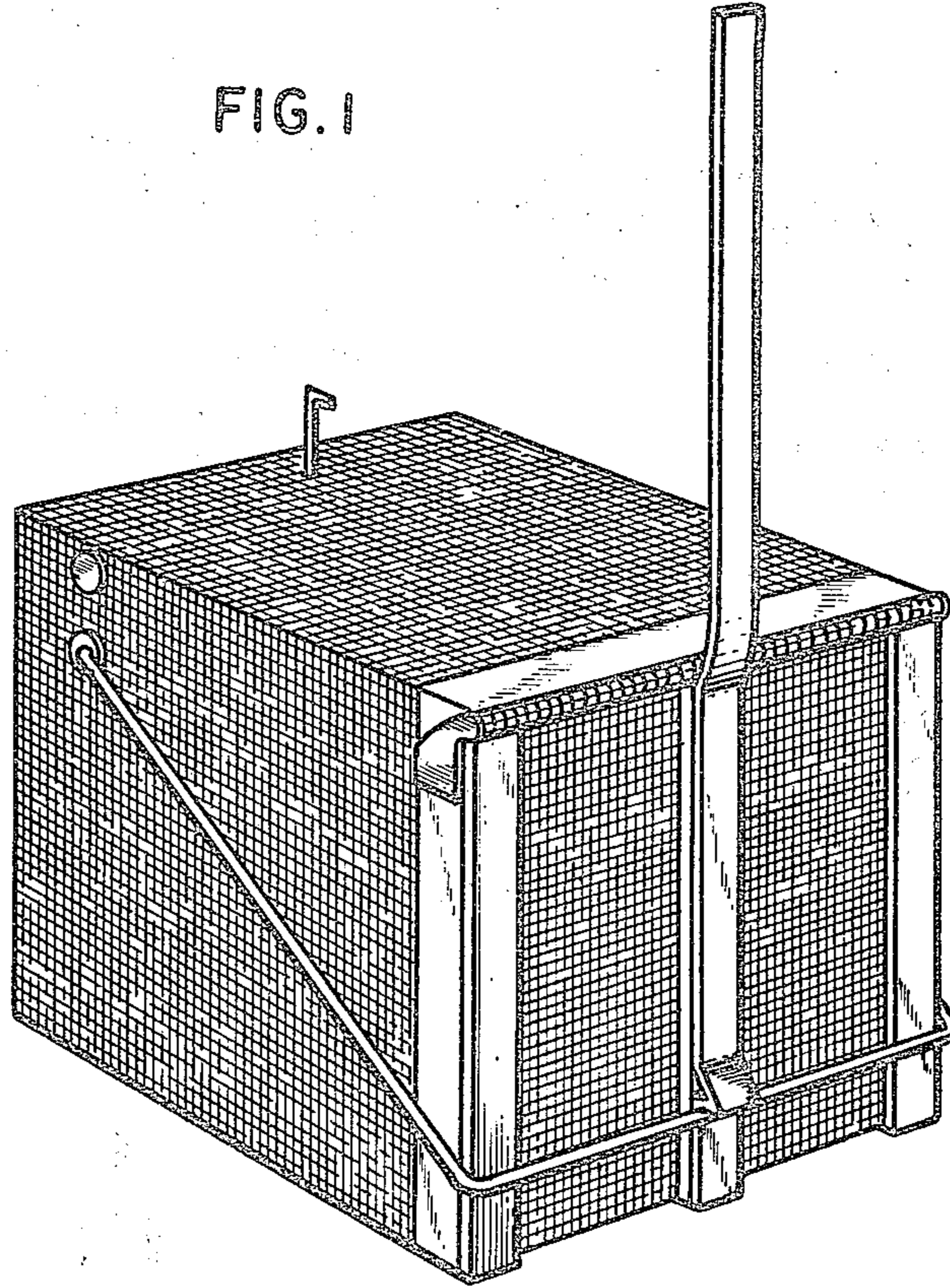


FIG. 2

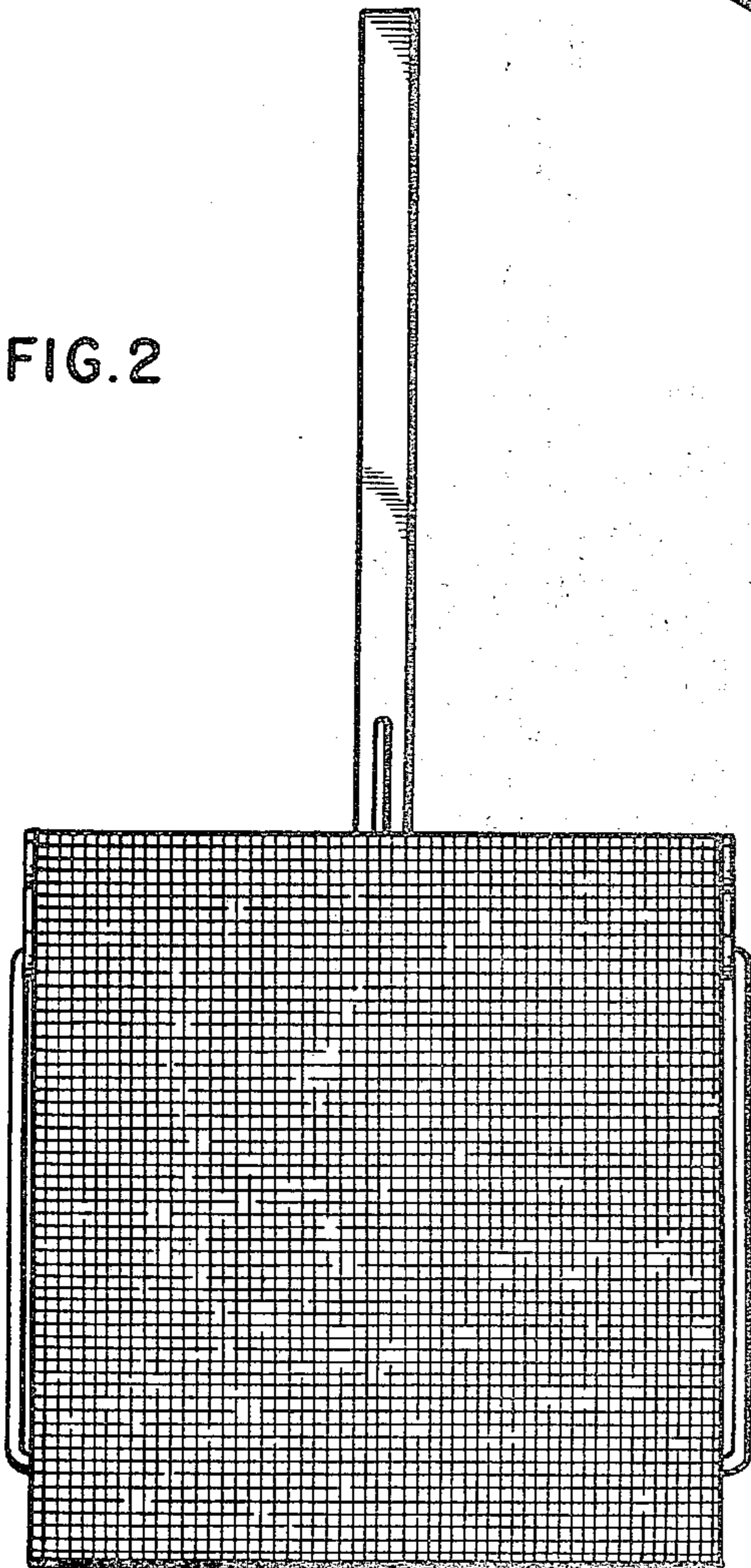


FIG. 3

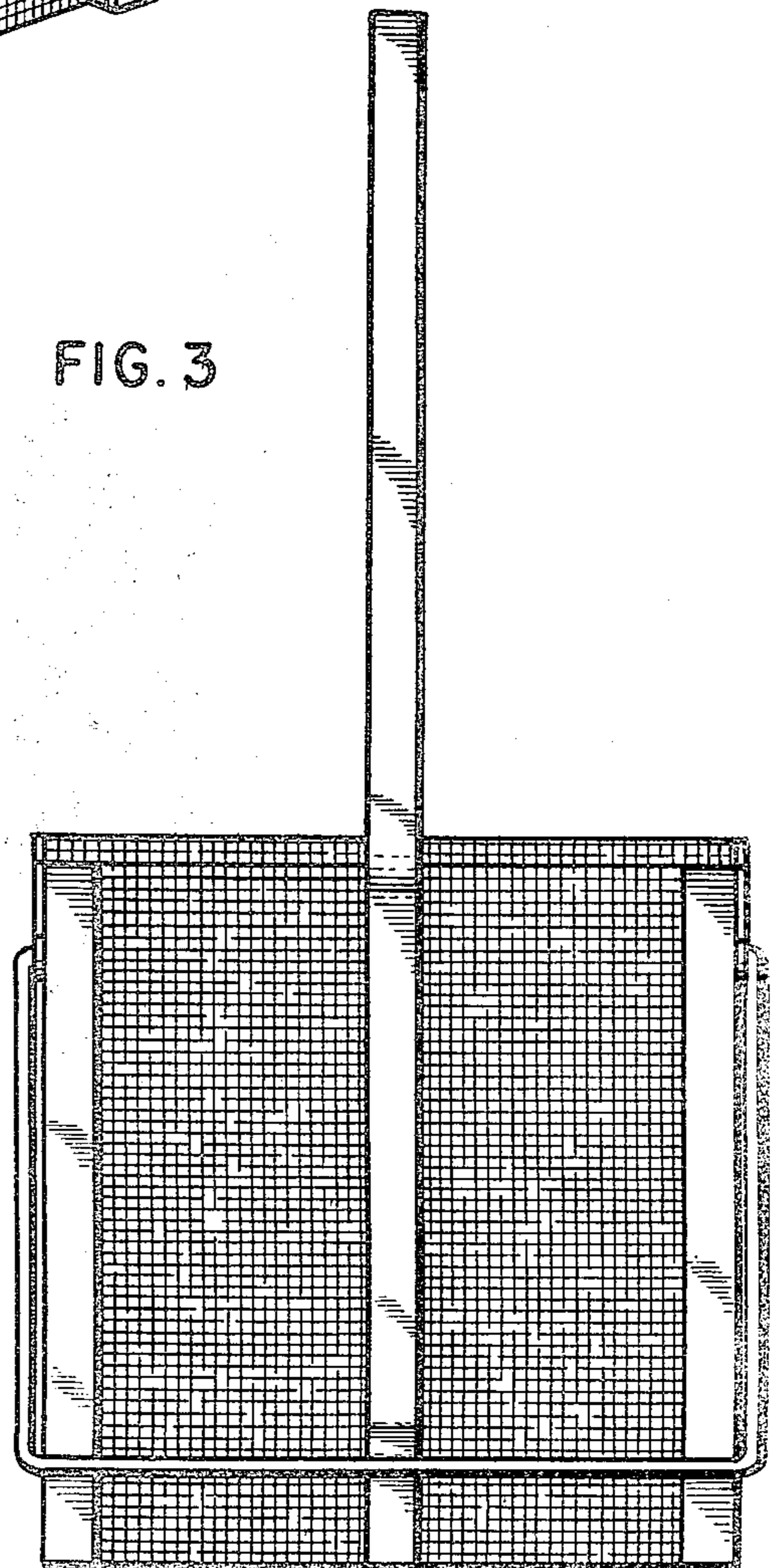


FIG. 4

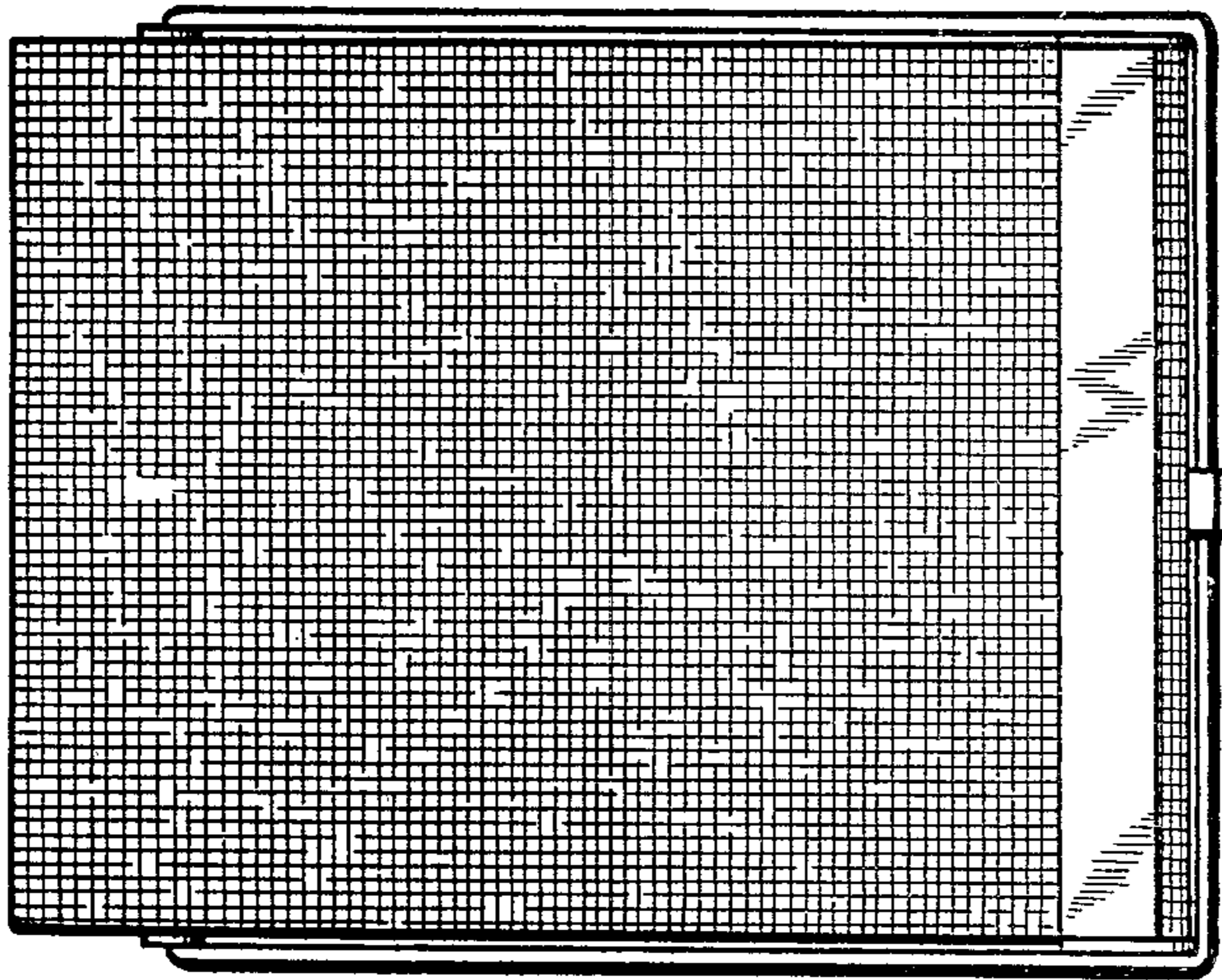


FIG. 5

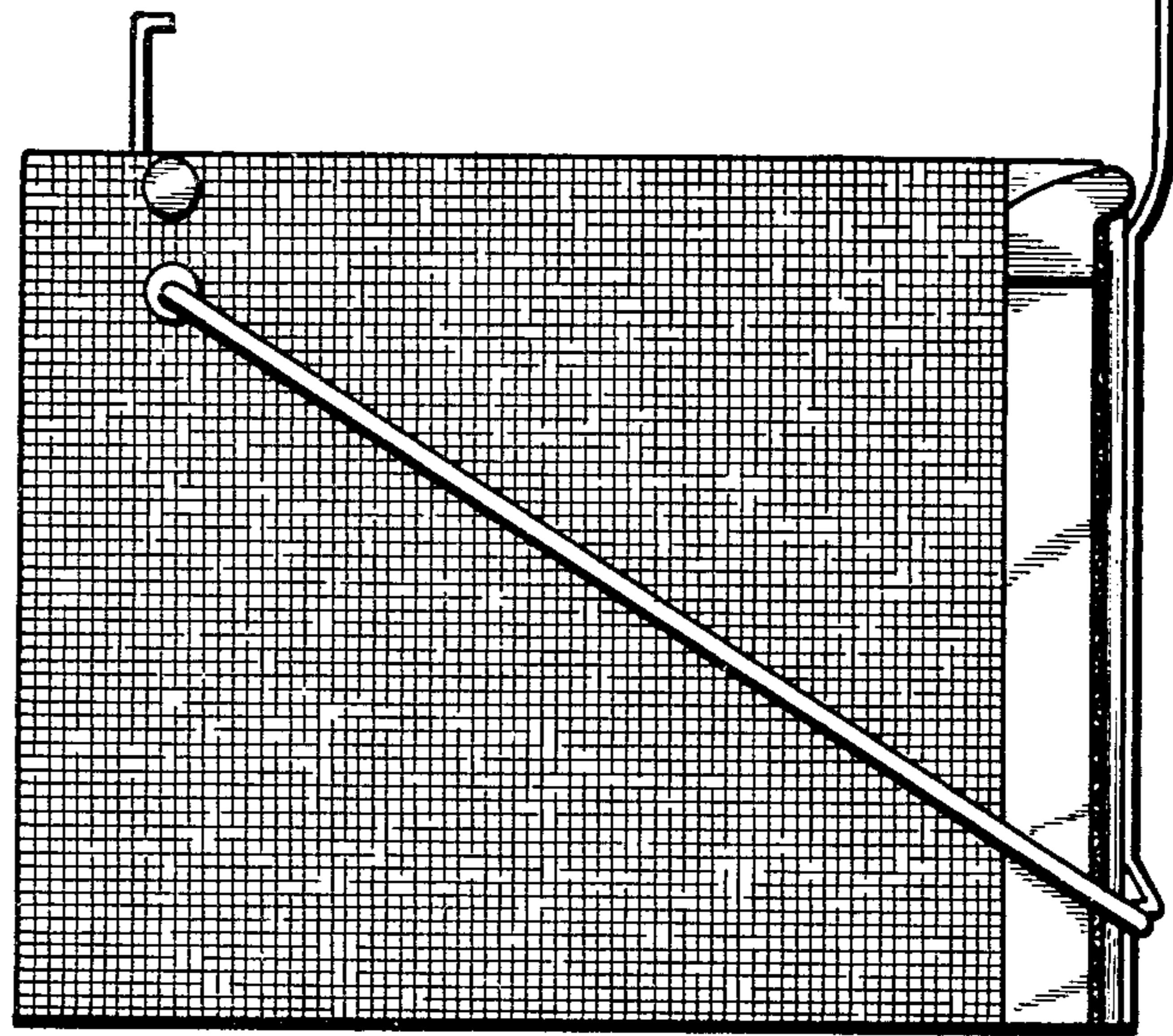


FIG. 6

