

United States Patent [19]

Uyeda

[11] Patent Number: **Des. 274,530**

[45] Date of Patent: **** Jul. 3, 1984**

[54] **CAN HOLDER FOR USE IN A PAINT MIXER**

[75] Inventor: **Tim M. Uyeda, S. San Gabriel, Calif.**

[73] Assignee: **Peerless Pressed Metal Corporation, Watertown, Mass.**

[**] Term: **14 Years**

[21] Appl. No.: **343,731**

[22] Filed: **Jan. 29, 1982**

[52] U.S. Cl. **D15/147; D15/122; D15/140**

[58] Field of Search **D15/122, 199, 138, 140, D15/147; 366/208, 209, 210, 211, 605**

[56] **References Cited**

U.S. PATENT DOCUMENTS

Re. 21,973	12/1941	Jorgenson	366/209
2,087,412	7/1937	Nelson	366/605
2,894,309	7/1959	Brzowski	366/605

3,284,057	11/1966	Duquette	366/605
3,346,241	10/1967	Schubert	366/209
4,415,270	11/1983	Heinis	366/605

Primary Examiner—B. J. Bullock
Attorney, Agent, or Firm—George J. Netter

[57] CLAIM

The ornamental design for a can holder for use in a paint mixer, as shown and described.

DESCRIPTION

FIG. 1 is a perspective view of a can holder for use in a paint mixer showing my new design, the can being shown in broken lines for illustrative purposes only;

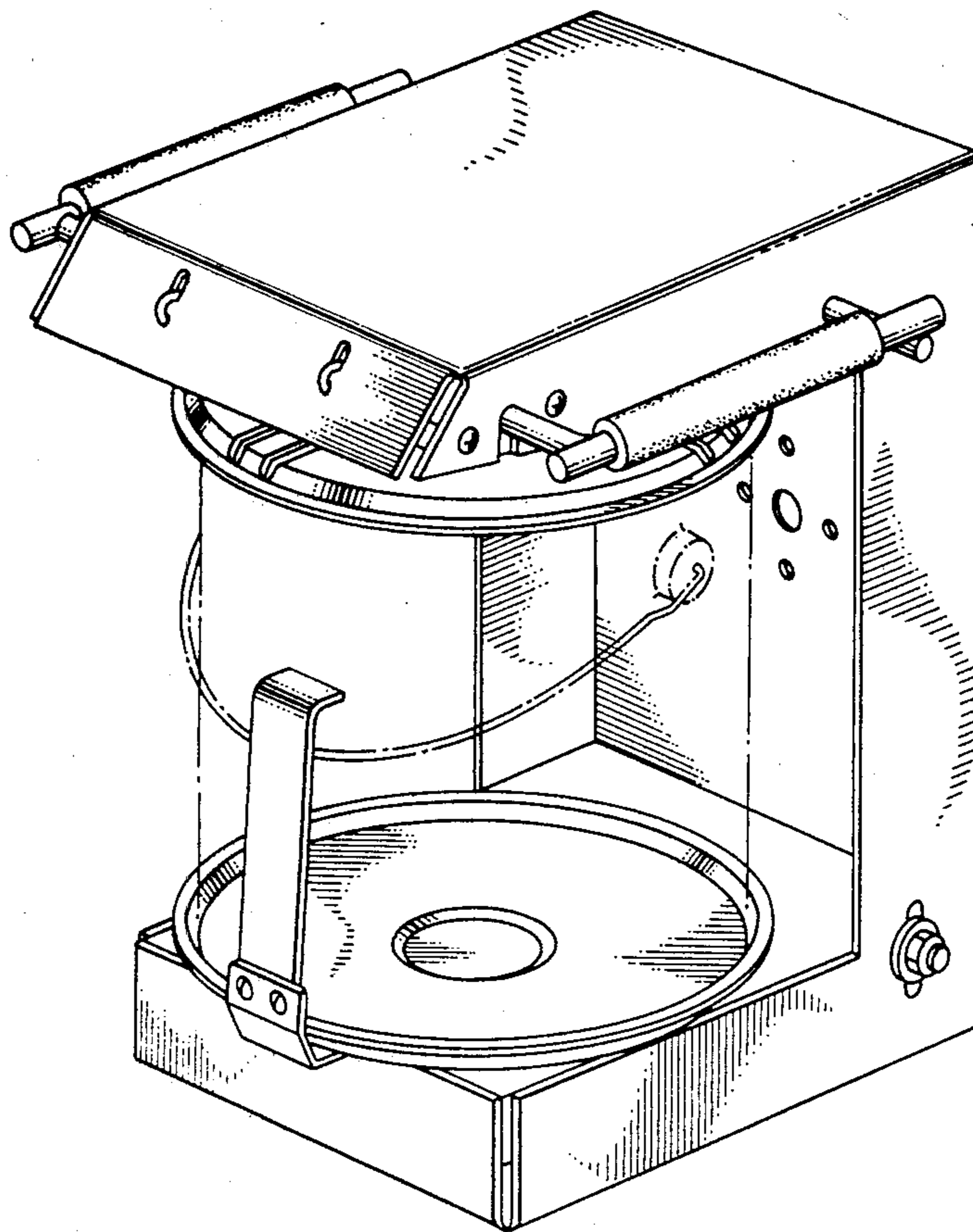
FIG. 2 is a top plan view.

FIG. 3 is a side elevational view taken from the left of FIG. 1.

FIG. 4 is a rear elevational view.

FIG. 5 is a bottom plan view.

FIG. 6 is a perspective view thereof in an alternate position.



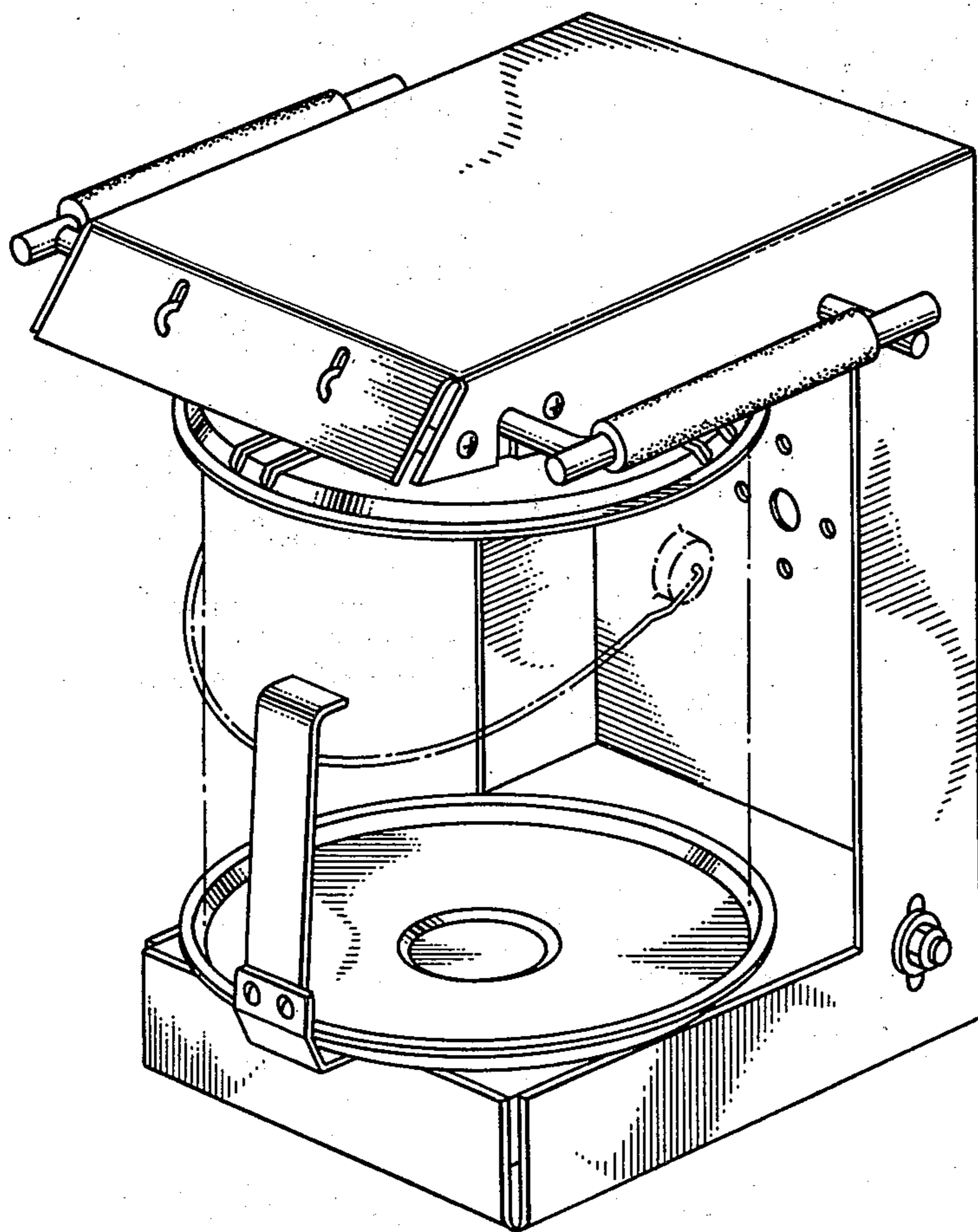


FIG. 1.

FIG. 2.

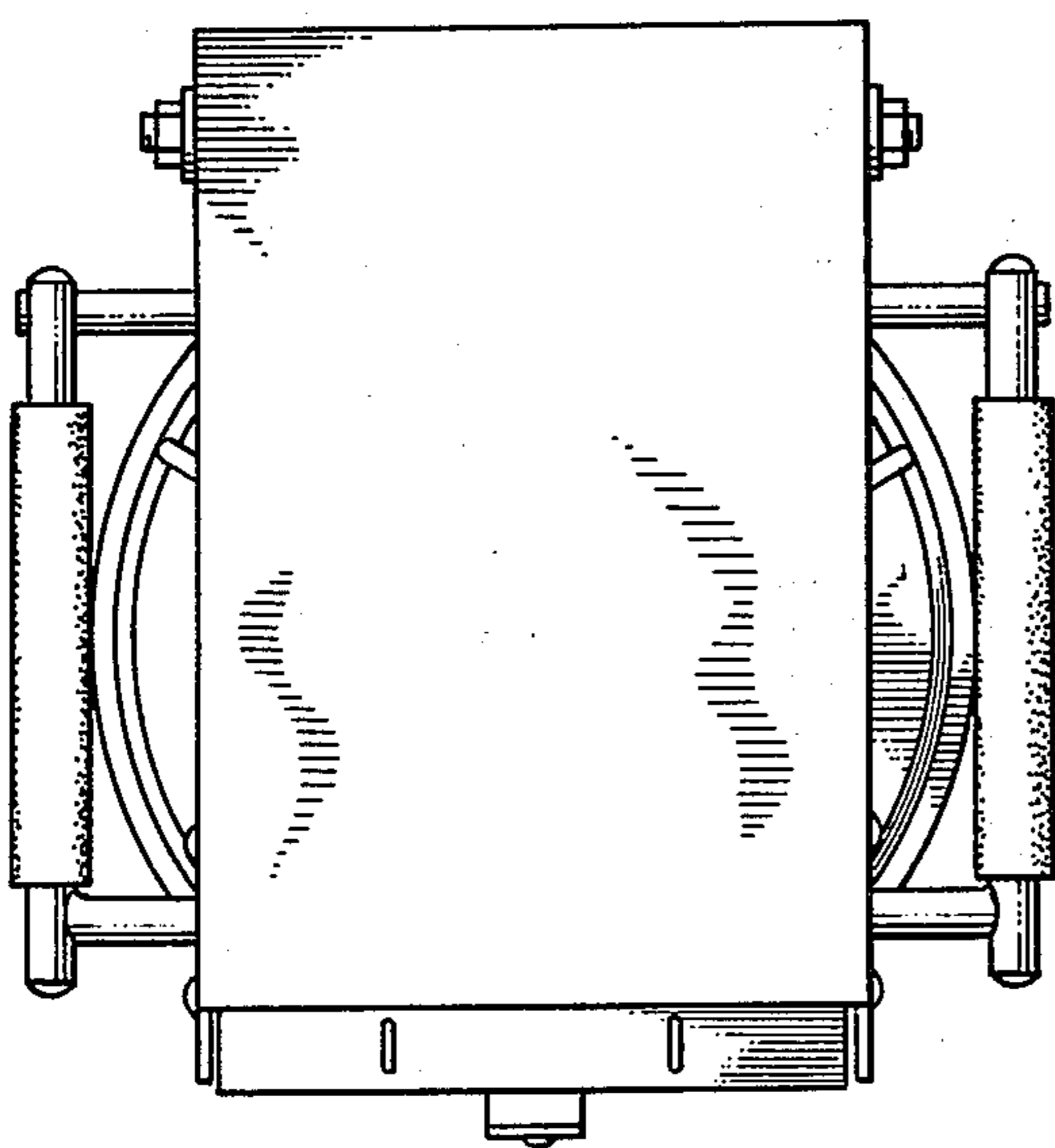
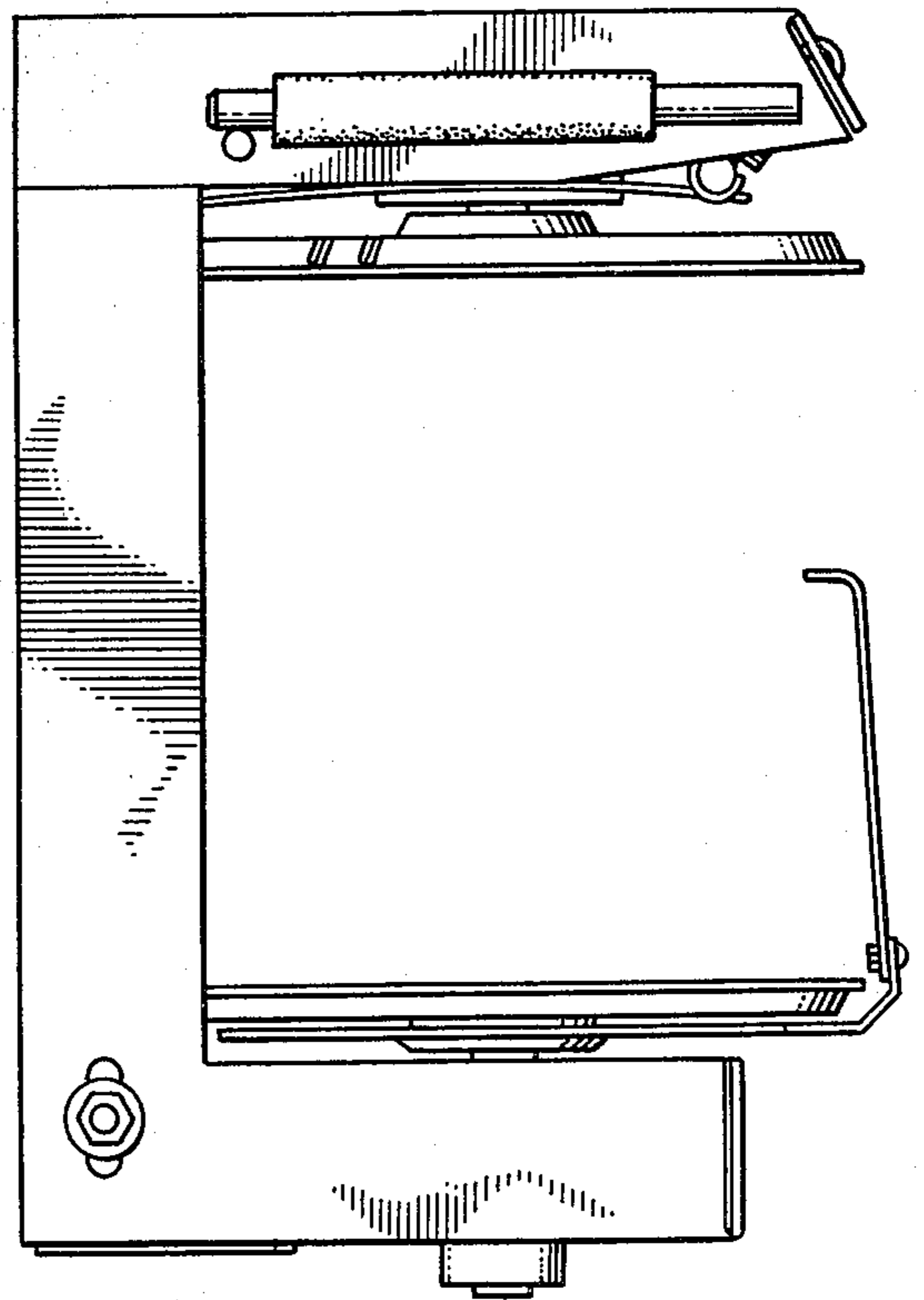


FIG. 3.



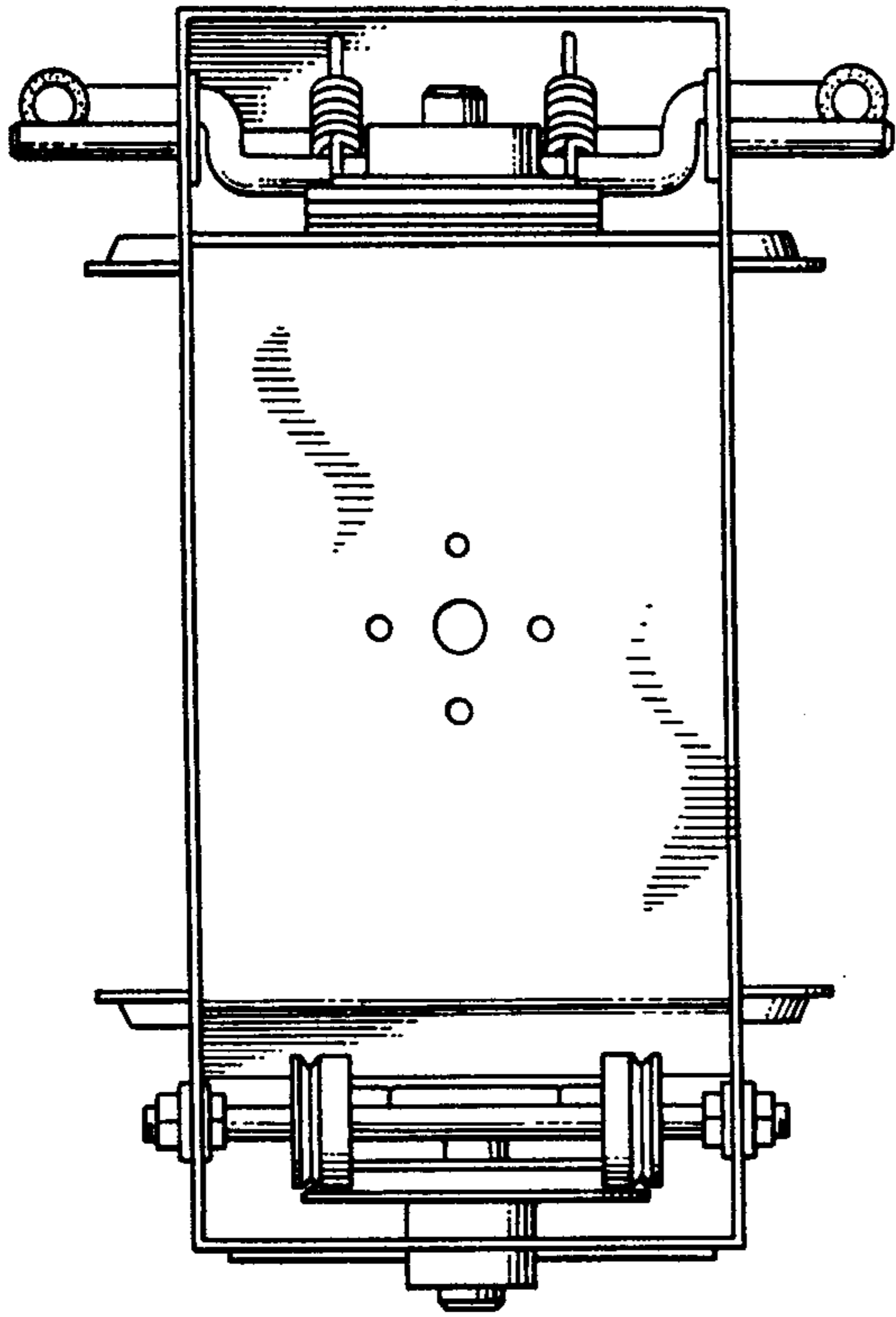


FIG. 4.

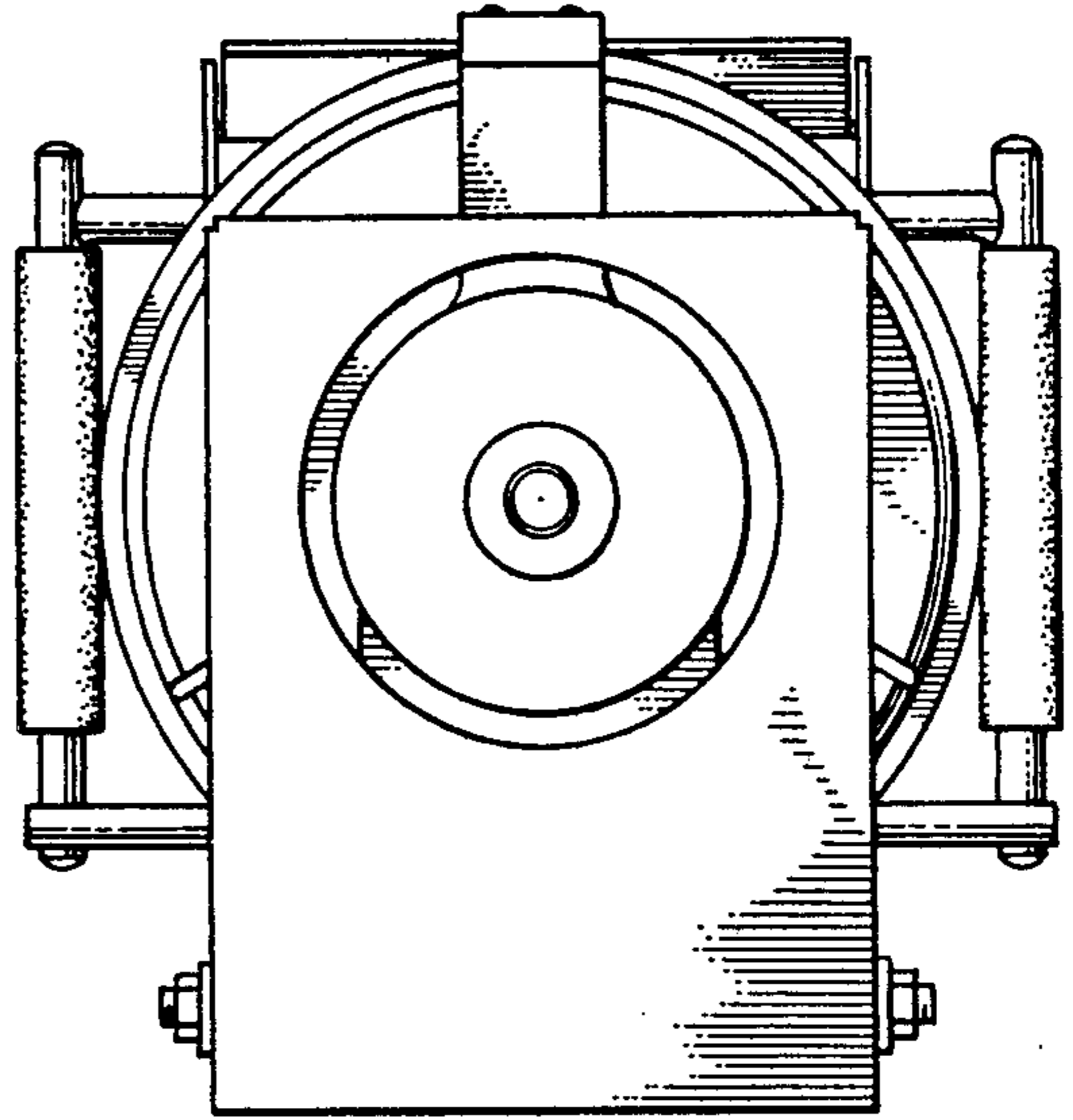


FIG. 5.

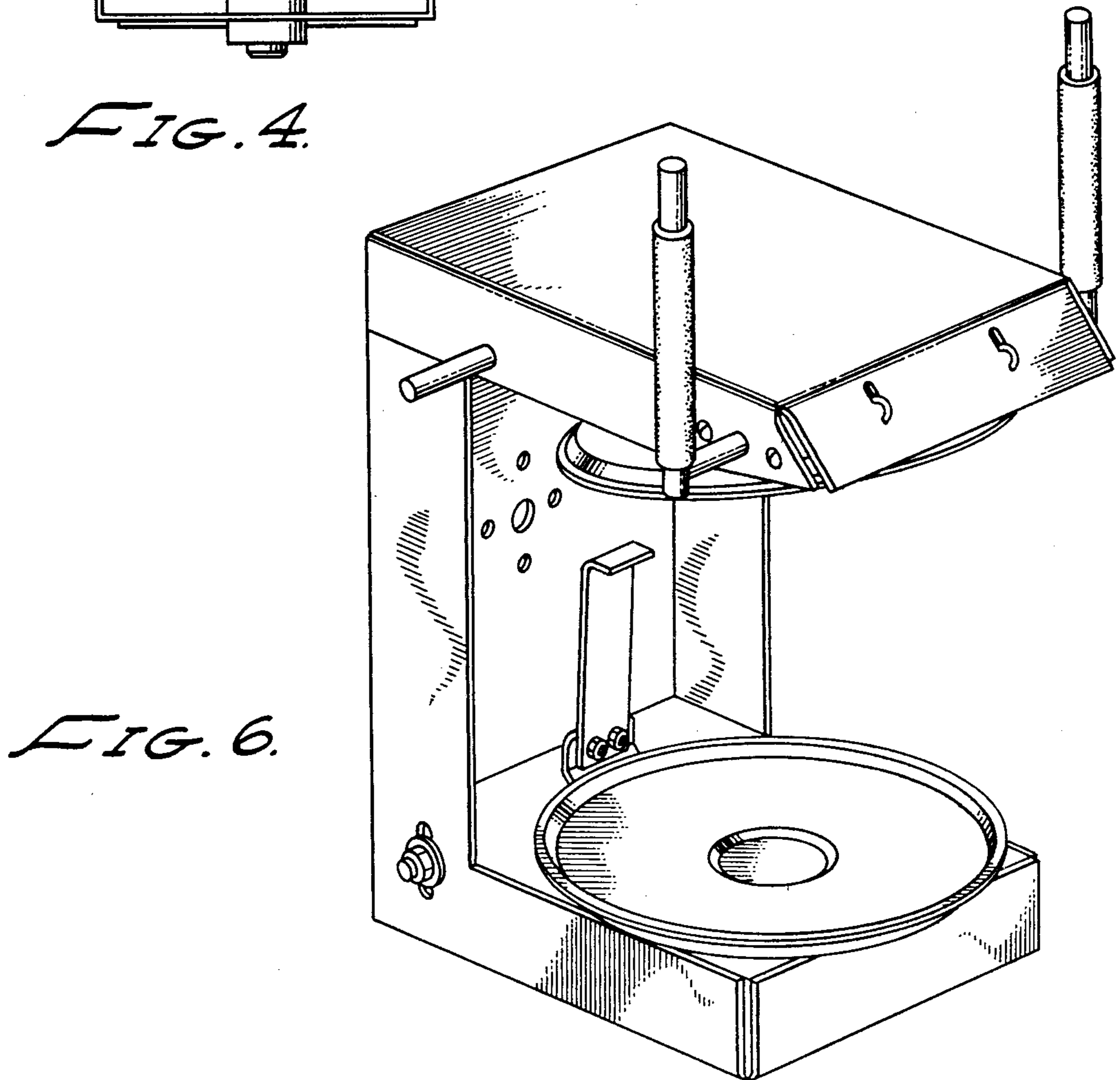


FIG. 6.