

# United States Patent [19]

Szostak et al.

[11] Patent Number: **Des. 274,528**

[45] Date of Patent: **\*\* Jul. 3, 1984**

[54] SEWING MACHINE

[75] Inventors: **Jan Szostak**, Lincroft; **George LaPolice**, Somerville, both of N.J.; **John Brown**, Wilton, Conn.; **Michael P. Ballone**, New Providence, N.J.

[73] Assignee: **The Singer Company**, Stamford, Conn.

[\*\*] Term: **14 Years**

[21] Appl. No.: **326,715**

[22] Filed: **Dec. 2, 1981**

[52] U.S. Cl. .... **D15/69**

[58] Field of Search ..... **D15/66, 68, 69, 70, 71, 72, 73, 74, 75, 76, 77, 78; 112/258, 259, 261**

[56] **References Cited**

### U.S. PATENT DOCUMENTS

D. 180,373 5/1957 Park ..... D15/69  
D. 183,405 8/1958 Park ..... D15/69 4n

D. 223,058 3/1972 Genaro .  
D. 253,346 11/1979 Genaro et al. .... D15/69  
D. 253,705 12/1979 Feliz et al. .  
2,411,459 11/1946 Perkins et al. .... 112/258

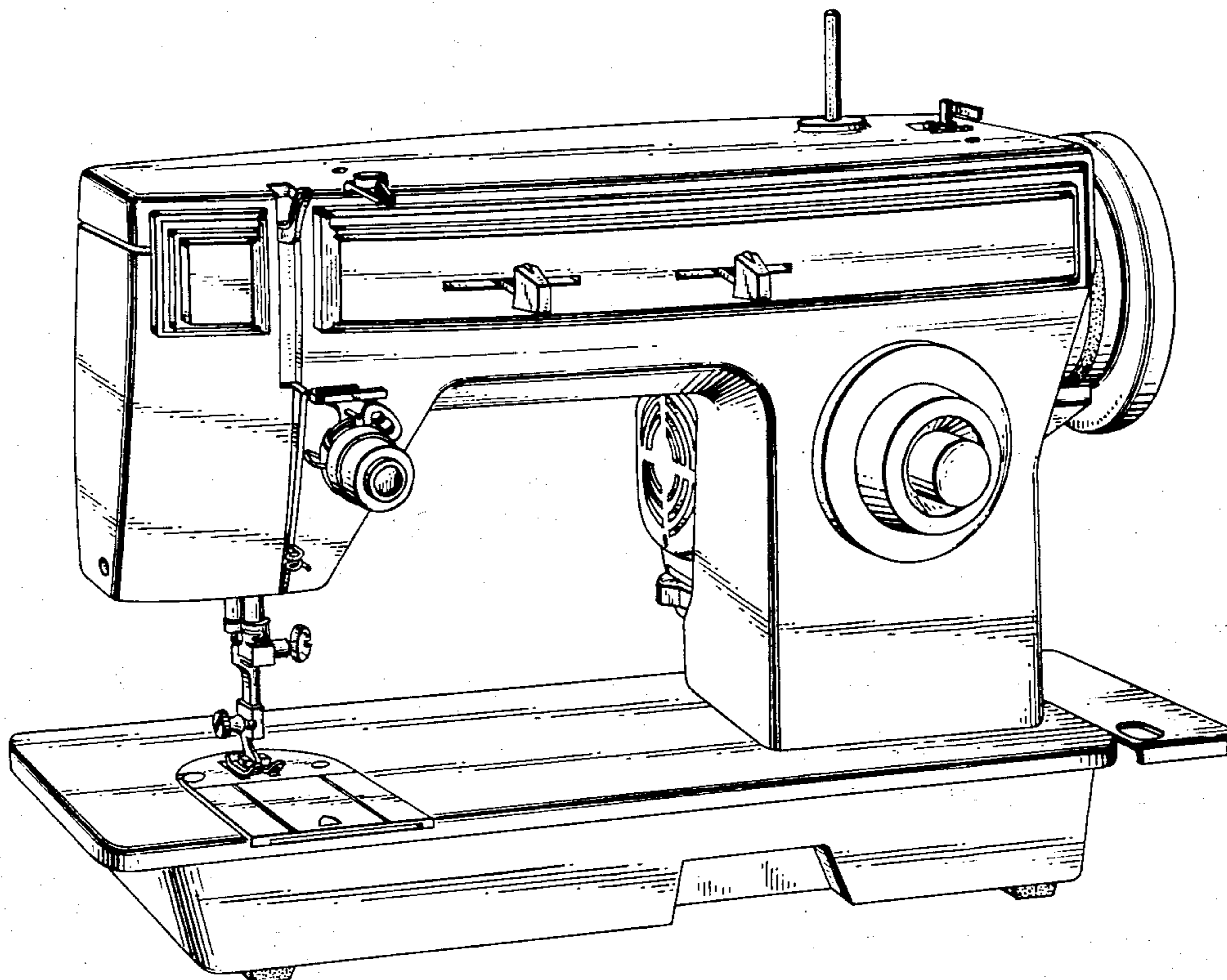
*Primary Examiner*—George P. Word  
*Assistant Examiner*—Carmen H. Vales  
*Attorney, Agent, or Firm*—Robert E. Smith; Edward L. Bell

### [57] CLAIM

The ornamental design for a sewing machine, substantially as shown.

### DESCRIPTION

FIG. 1 is a front perspective view of a sewing machine or similar article showing our new design, FIG. 2 is a rear elevational view, FIG. 3 is a front elevational view, FIG. 6 is a top plan view.



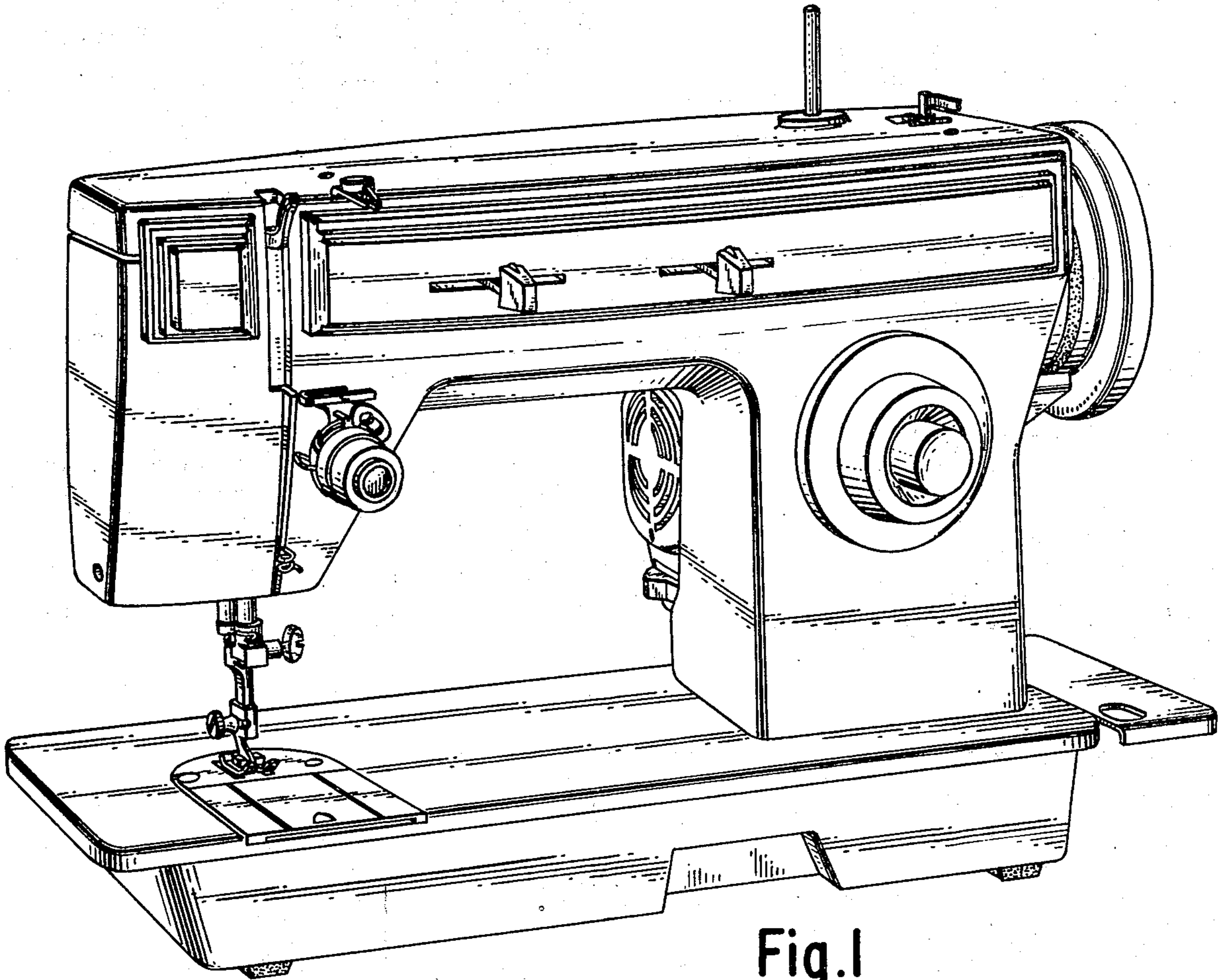


Fig. 1

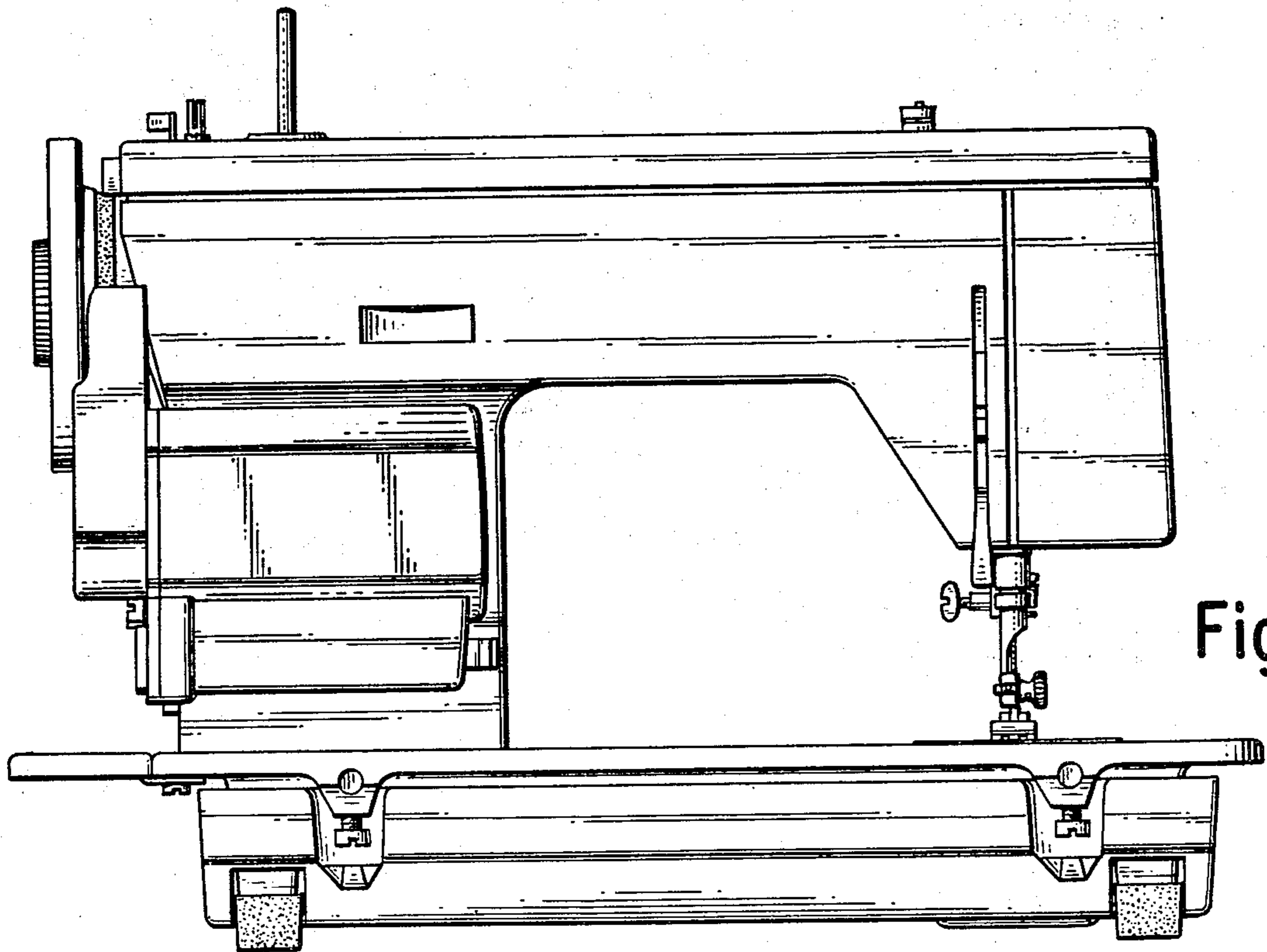


Fig. 2

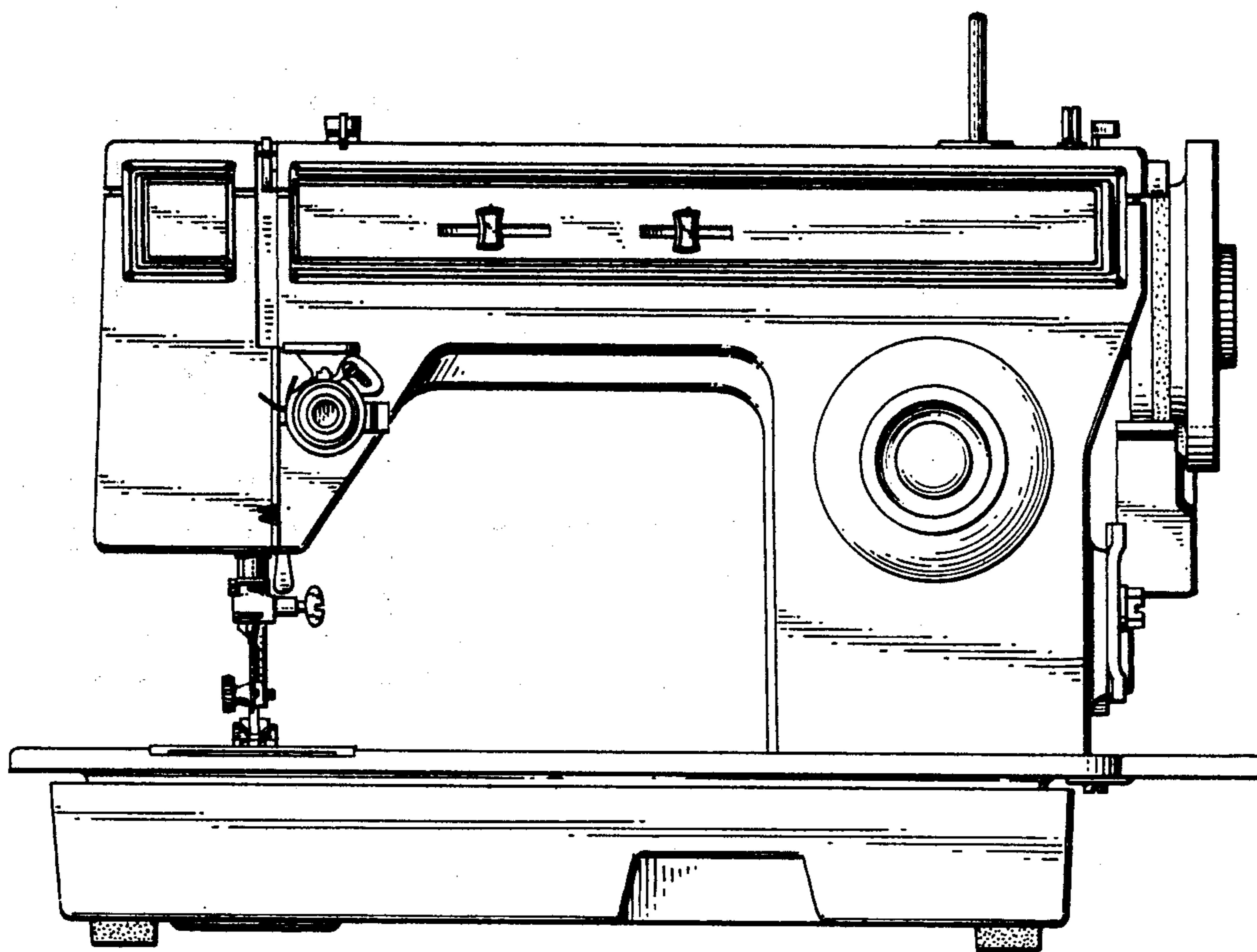


Fig. 3

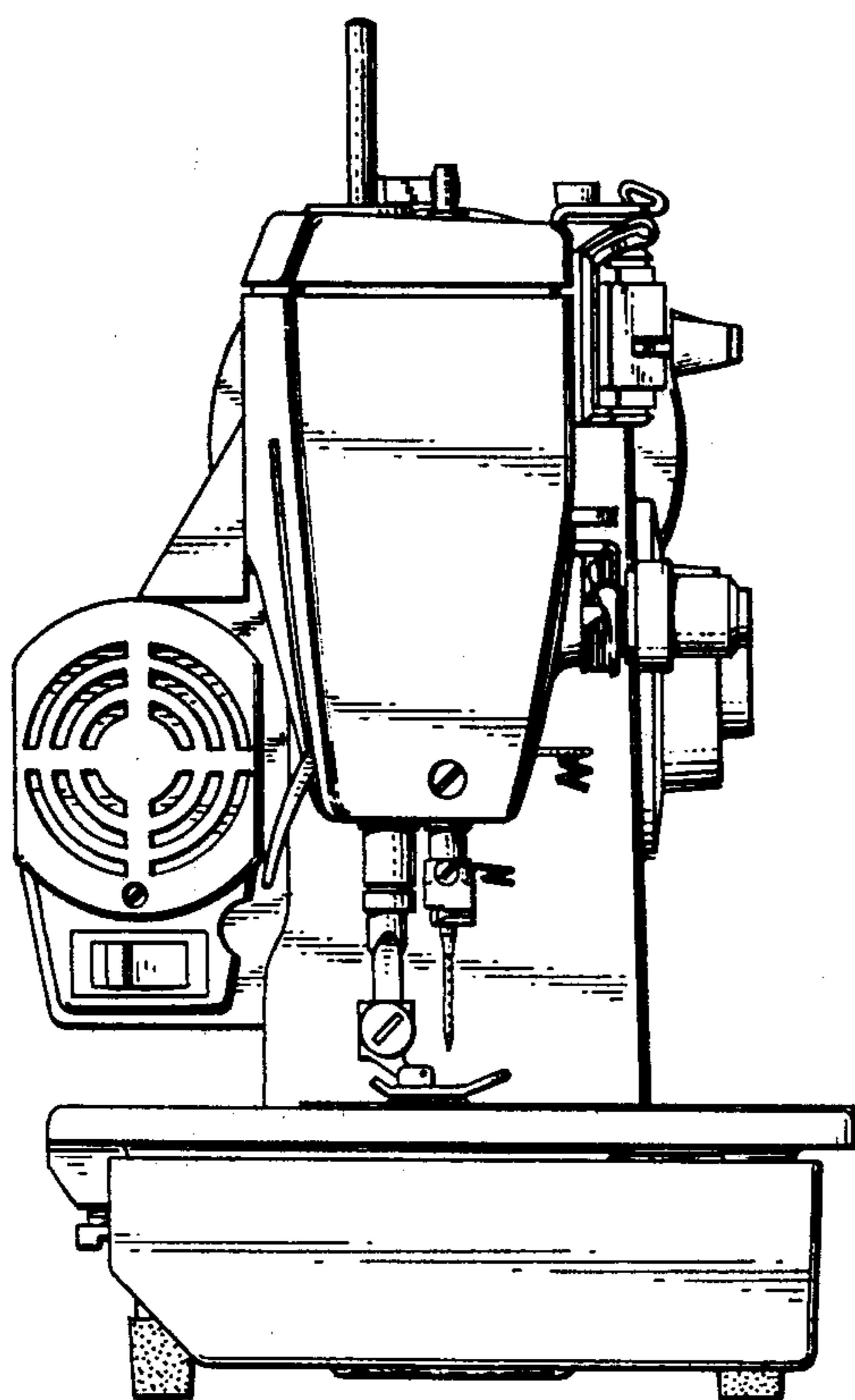


Fig. 4

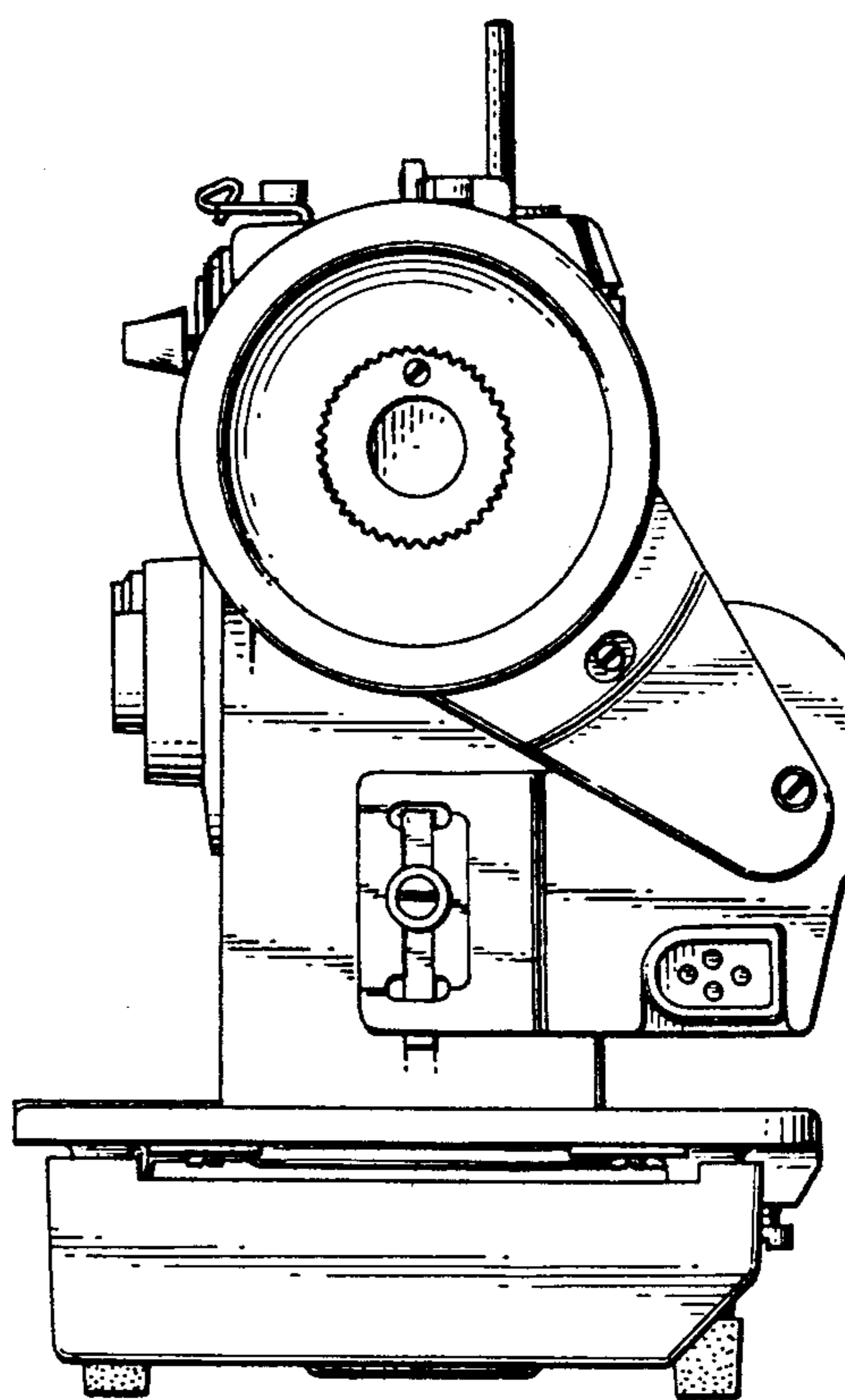


Fig. 5

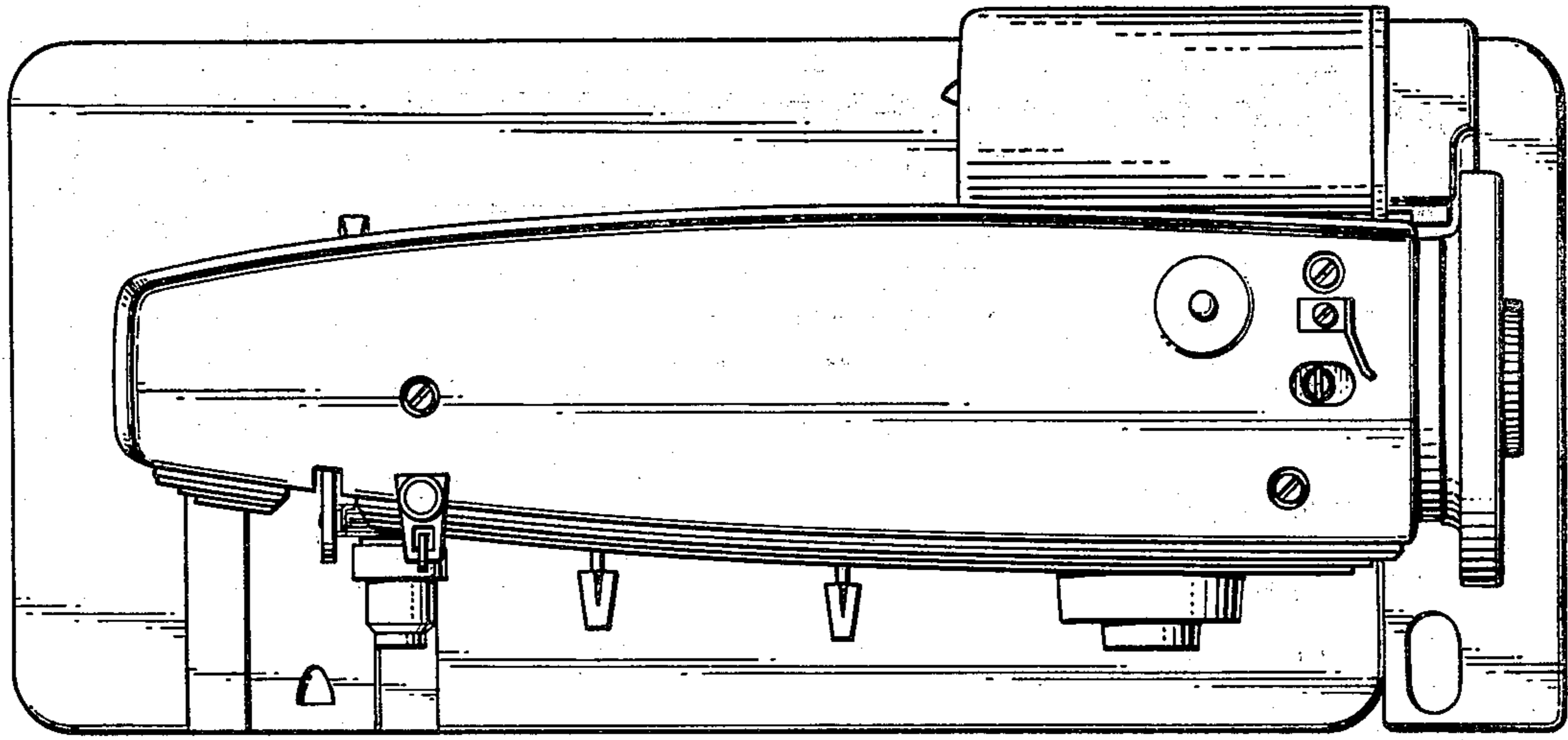


Fig.6