

[54] **PIVOT VALVE FOR SAND-BLASTING
NOZZLE AND CONTROL VALVE
ASSEMBLY OR THE LIKE**

[76] **Inventor: George H. Huber, Jr., 807 Moores
La., New Castle, Del. 19720**

[**] **Term: 14 Years**

[21] **Appl. No.: 449,602**

[22] **Filed: Dec. 8, 1982**

[52] **U.S. Cl. D15/126**

[58] **Field of Search D15/124-126;
51/438, 439; 251/101, 102, 103, 107, 108**

[56] **References Cited**

U.S. PATENT DOCUMENTS

2,641,087 6/1953 Greiser 51/438
3,201,901 8/1965 Pauli 51/438

4,080,761 3/1978 Burns 51/438

Primary Examiner—B. J. Bullock

Attorney, Agent, or Firm—Mason, Fenwick & Lawrence

[57] **CLAIM**

The ornamental design for a pivot valve for sand-blast-
ing nozzle and control valve assembly or the like, as
shown and described.

DESCRIPTION

FIG. 1 is a rear perspective view, viewed from above,
of a pivot valve for sand-blasting nozzle and control
valve assembly or the like, embodying my new design;
FIG. 2 is a side elevational view thereof, viewed from
the right, the opposite side elevational view being the
mirror image thereof;
FIG. 3 is a rear elevational view thereof; and
FIG. 4 is a top plan view thereof.

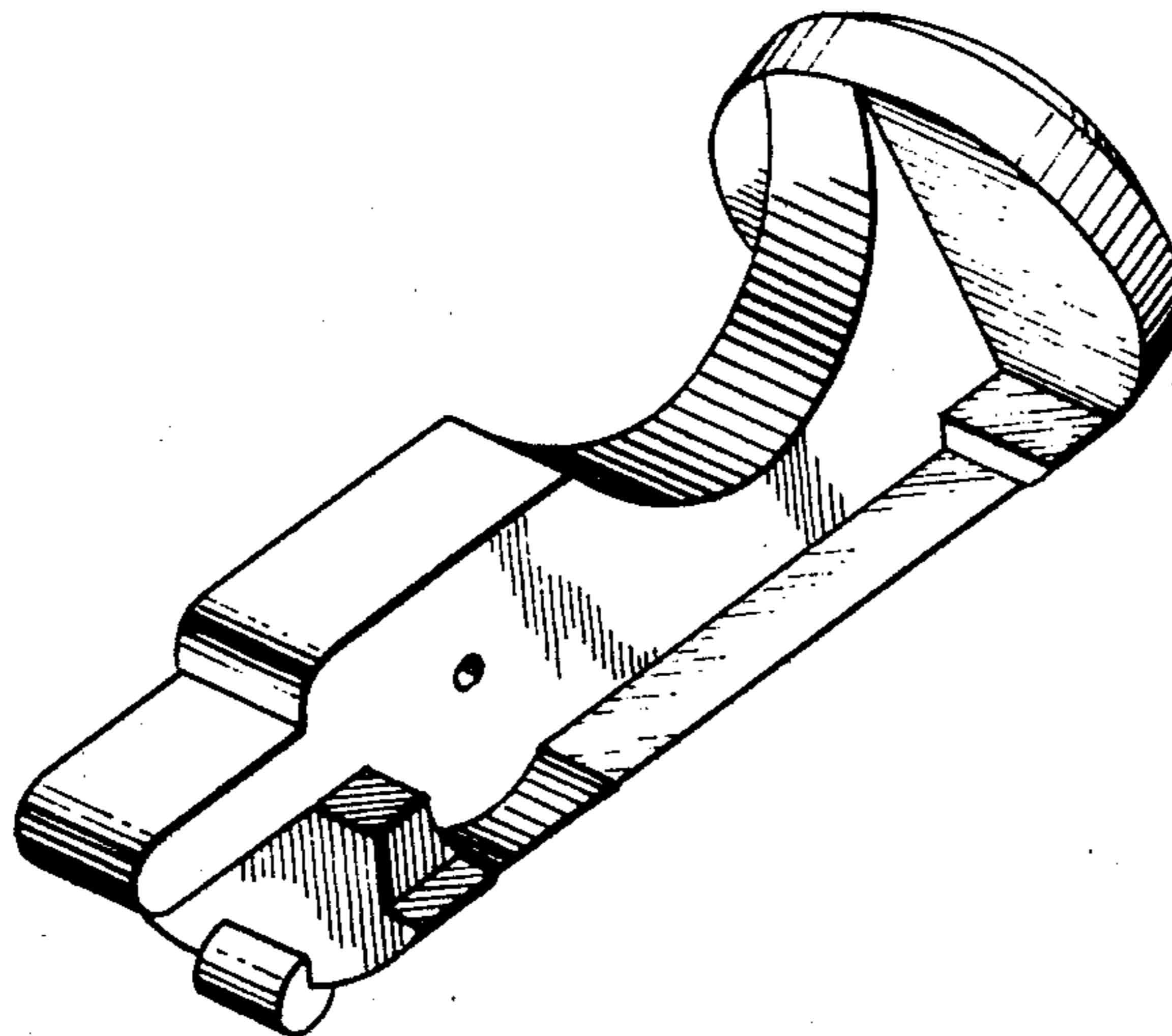


Fig-1

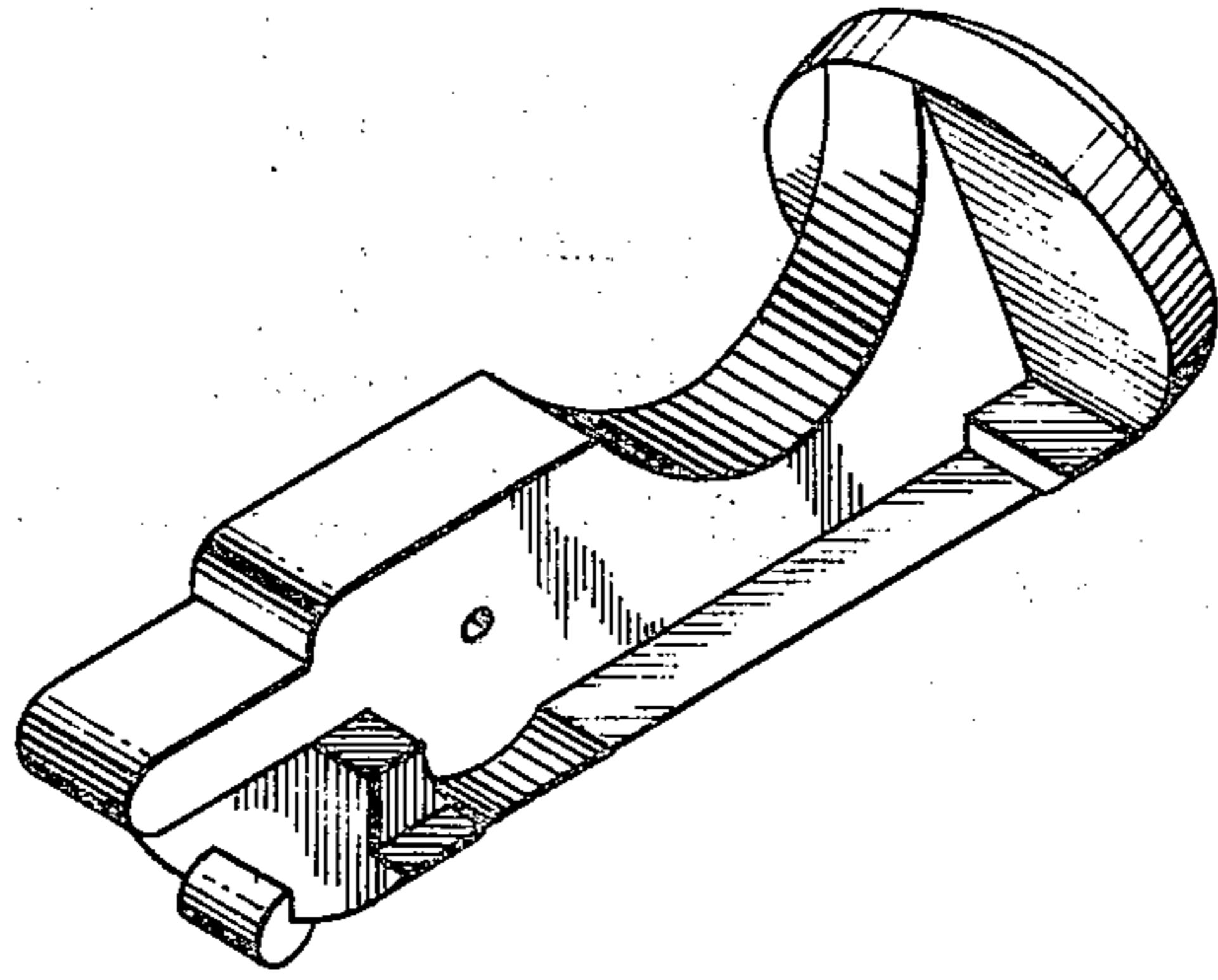


Fig-3

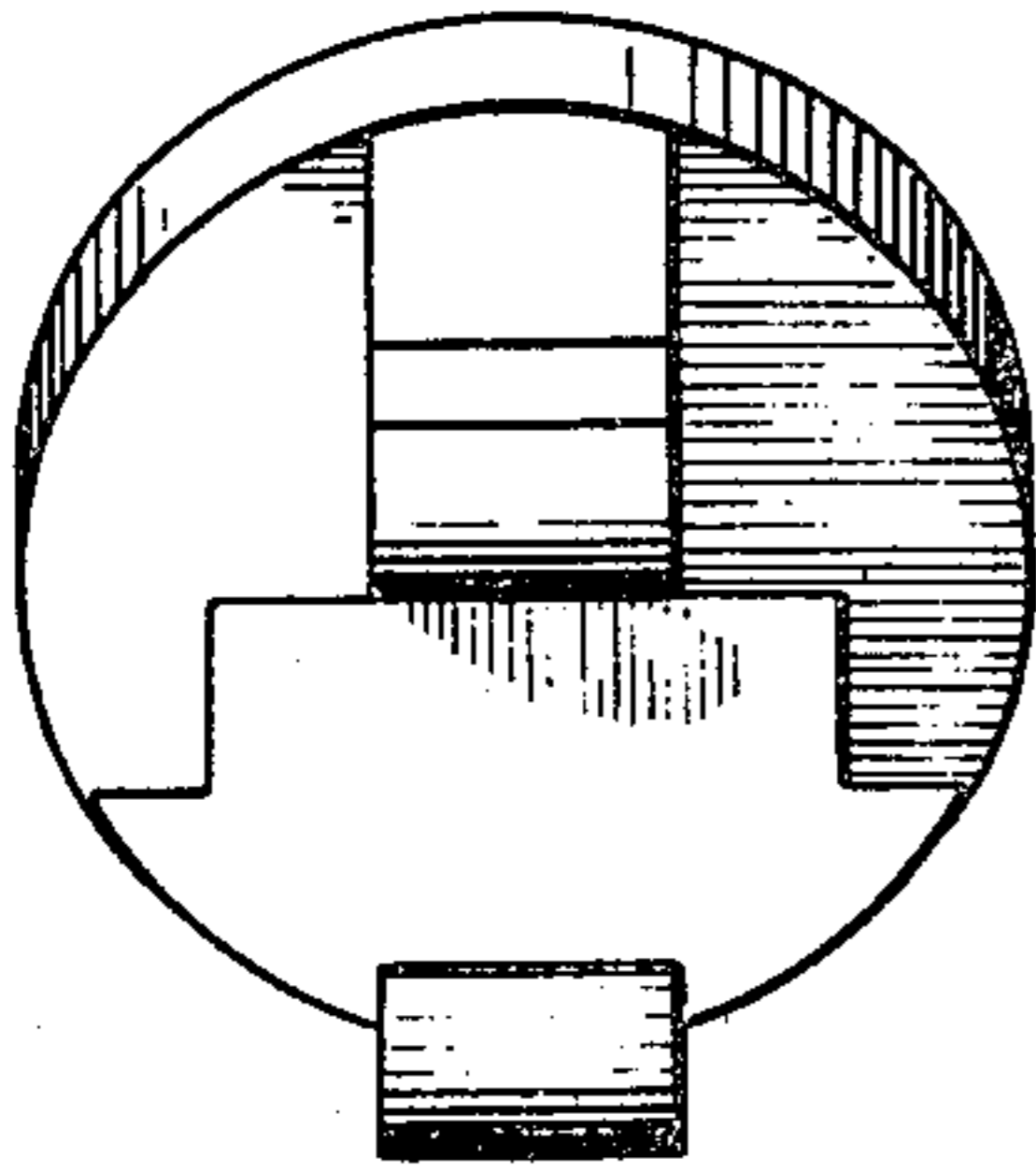


Fig-2

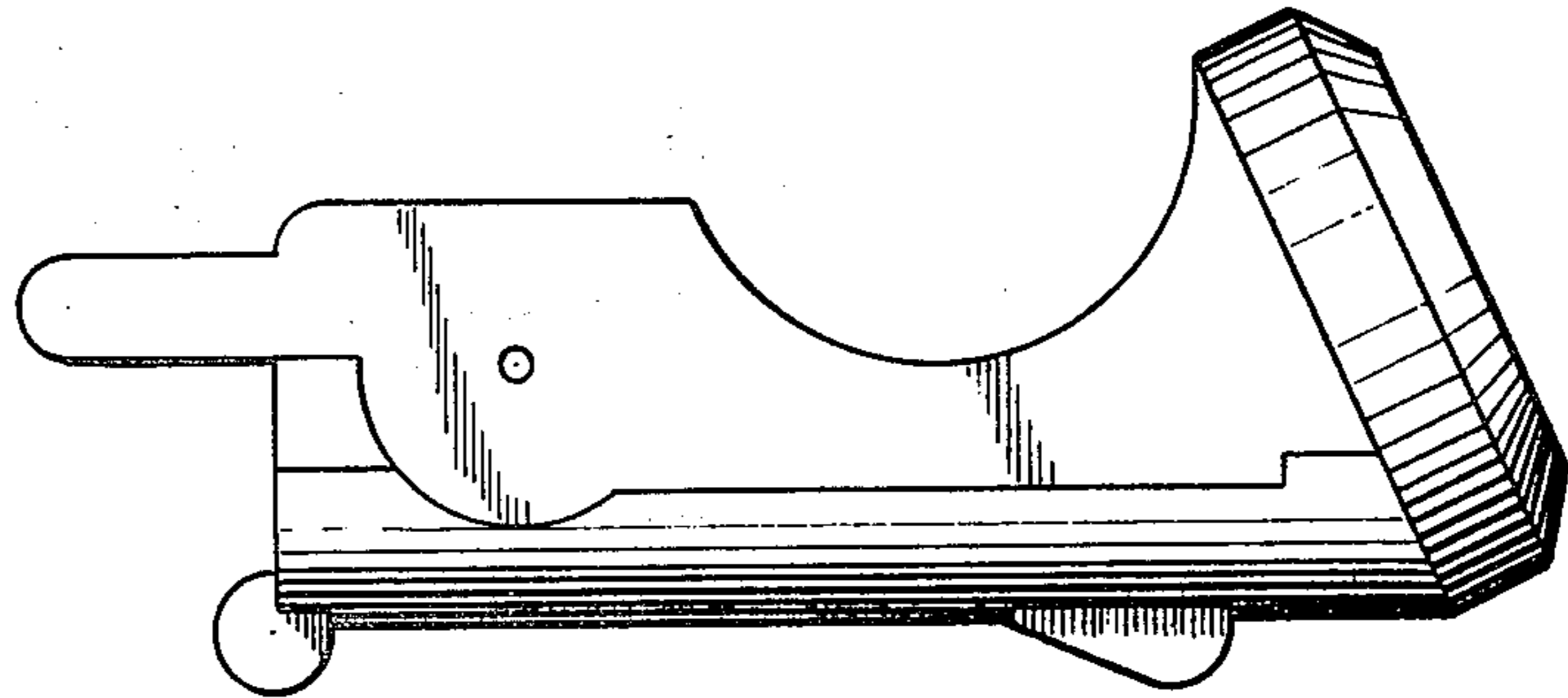


Fig-4

