

United States Patent [19]

Watts

[11] Patent Number: **Des. 274,526**

[45] Date of Patent: **** Jul. 3, 1984**

[54] **ABRASIVE BLASTING WHEEL BLADE**

4,227,351 10/1980 Jahn 51/434

[76] Inventor: **W. David Watts, P.O. Box 48474,
Atlanta, Ga. 30362**

Primary Examiner—B. J. Bullock
Attorney, Agent, or Firm—William Nitkin

[**] Term: **14 Years**

[57] **CLAIM**

[21] Appl. No.: **231,256**

The ornamental design for an abrasive blasting wheel blade, as shown and described.

[22] Filed: **Feb. 3, 1981**

DESCRIPTION

[52] U.S. Cl. **D15/126**

[58] Field of Search **D15/124-126,
D15/138; 51/434, 435**

FIG. 1 is an end view of an abrasive blasting wheel blade showing my new design;

FIG. 2 is an end view of the end opposite that shown in FIG. 1;

FIG. 3 is a side view thereof;

FIG. 4 is a side view of the side opposite that shown in FIG. 3;

FIG. 5 is a top view thereof; and

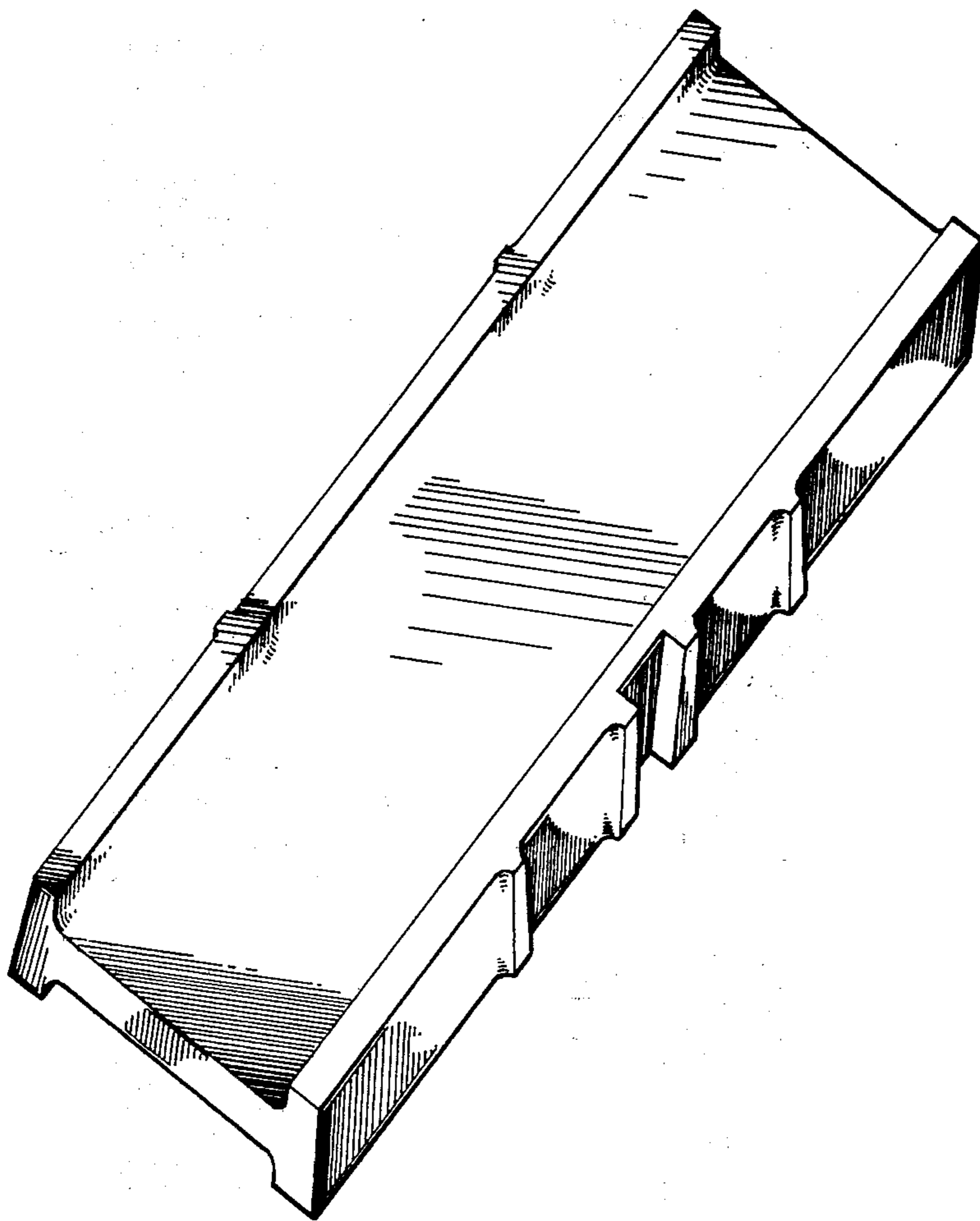
FIG. 6 is a bottom view thereof.

FIG. 7 is a top perspective view thereof.

[56] References Cited

U.S. PATENT DOCUMENTS

| | | | |
|-----------|---------|----------------|--------|
| 2,119,813 | 6/1938 | Kefer | 51/434 |
| 3,151,417 | 10/1964 | Hartman et al. | 51/435 |
| 3,242,615 | 3/1966 | Physioc | 51/434 |
| 4,069,025 | 1/1978 | Macmillan | 51/434 |



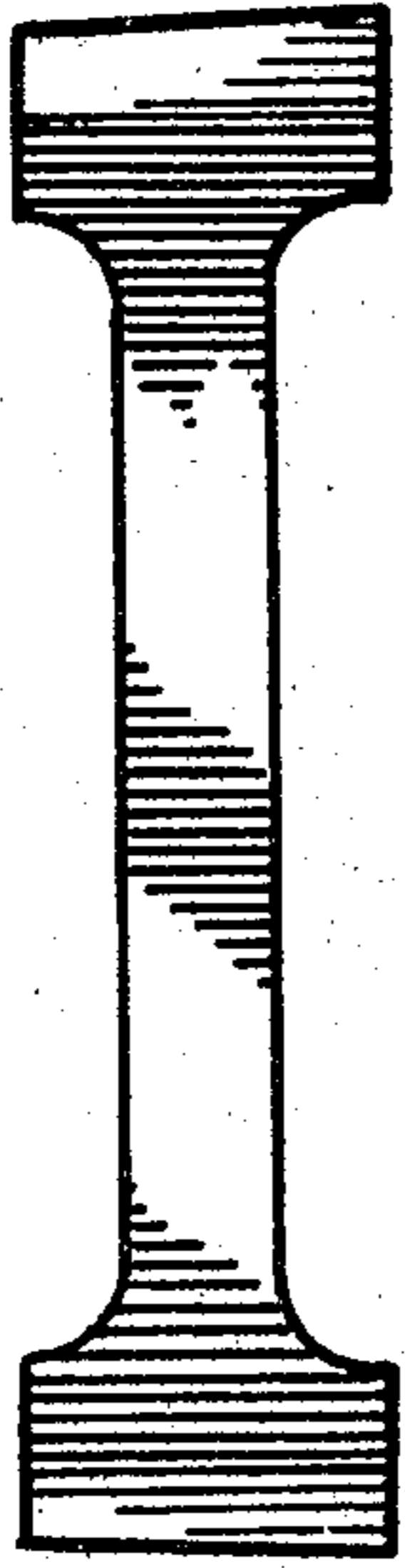


FIG. 1

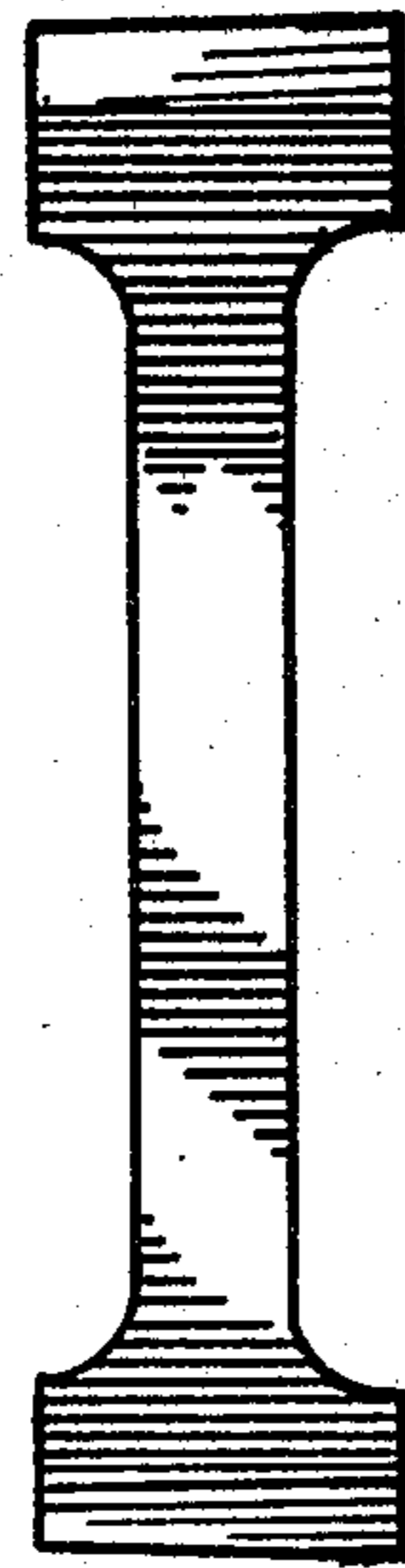


FIG. 2

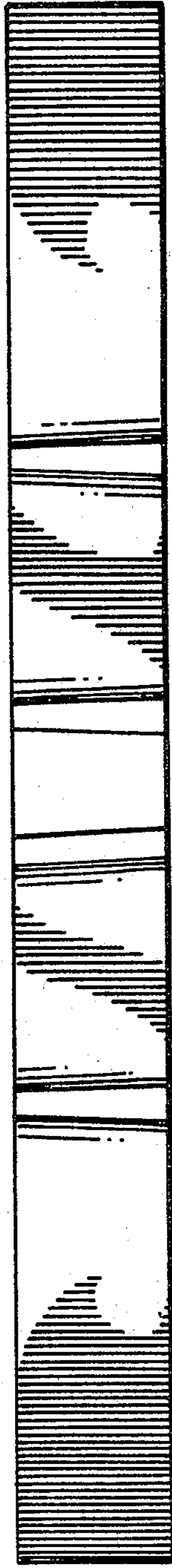


FIG. 3

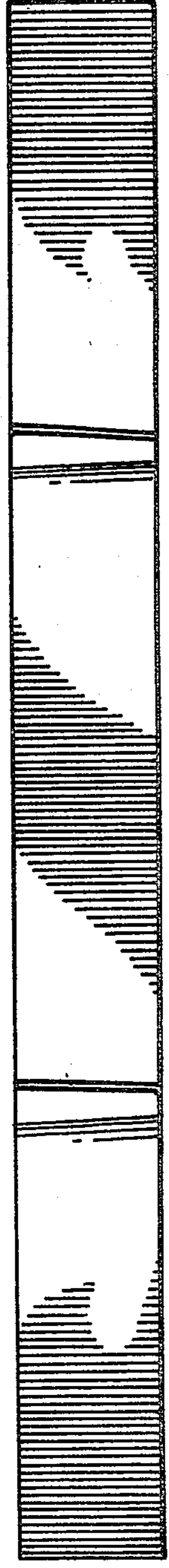


FIG. 4

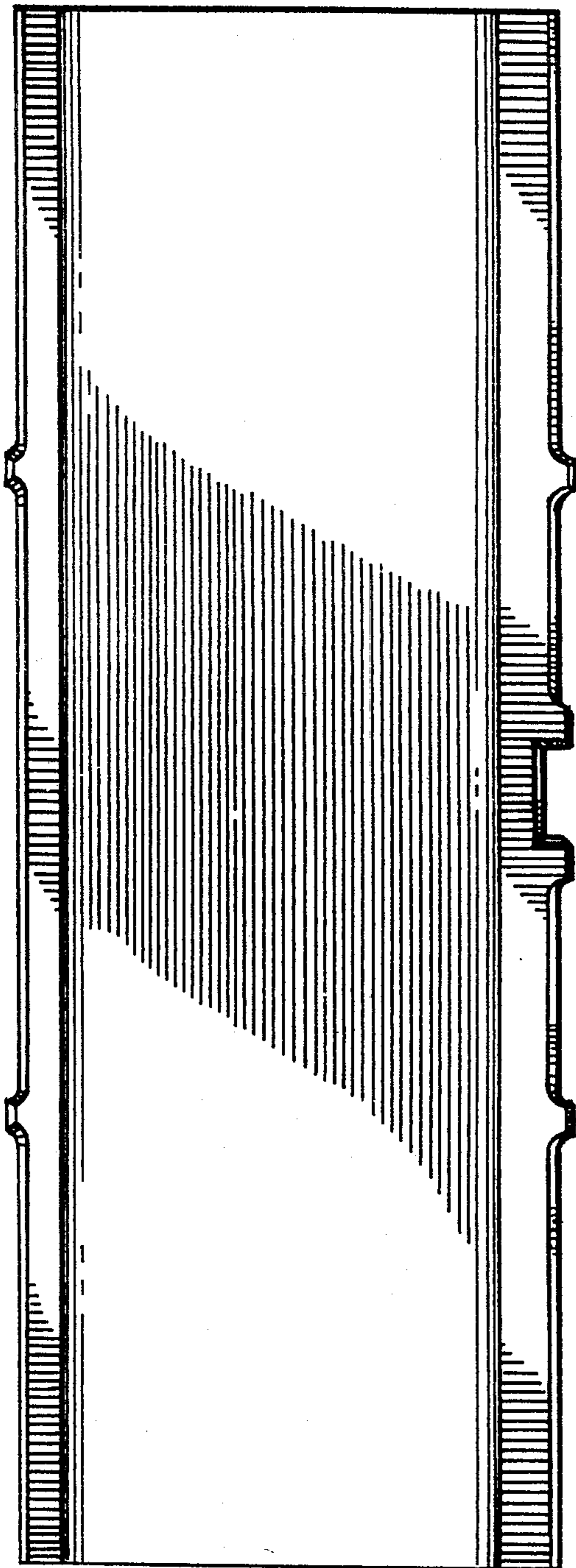


FIG. 5

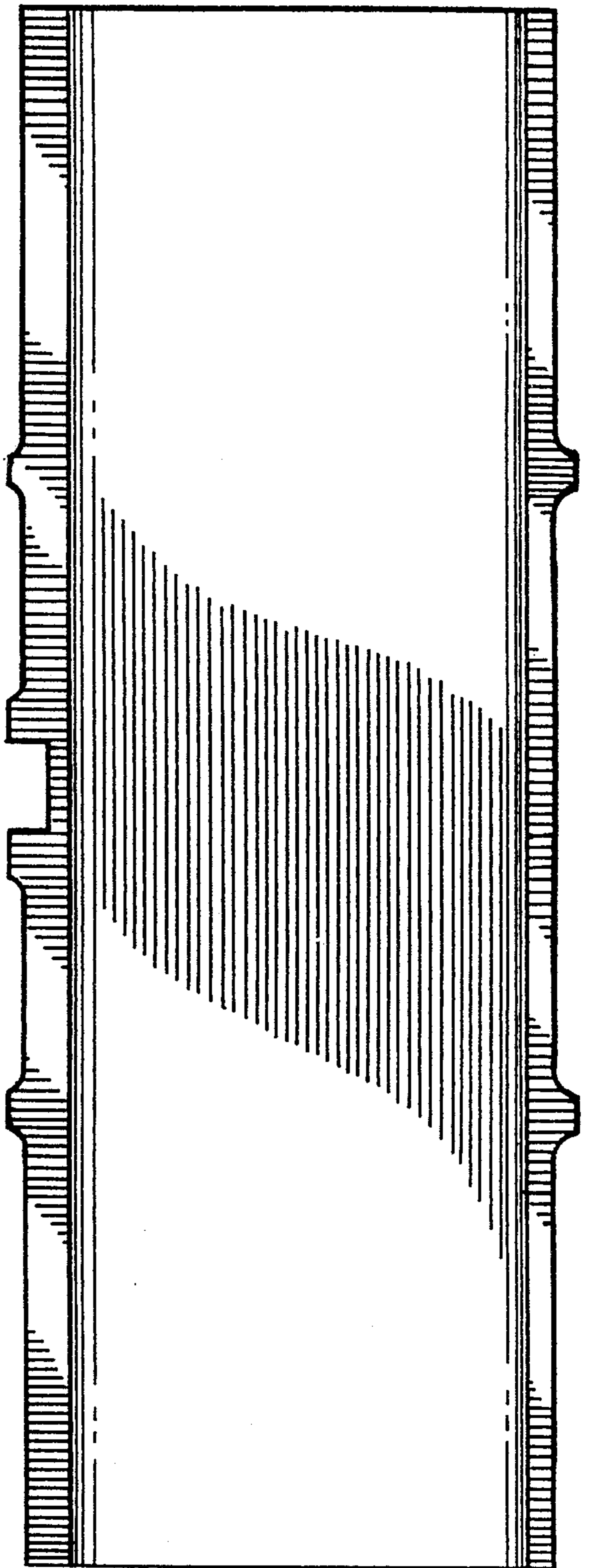


FIG. 6

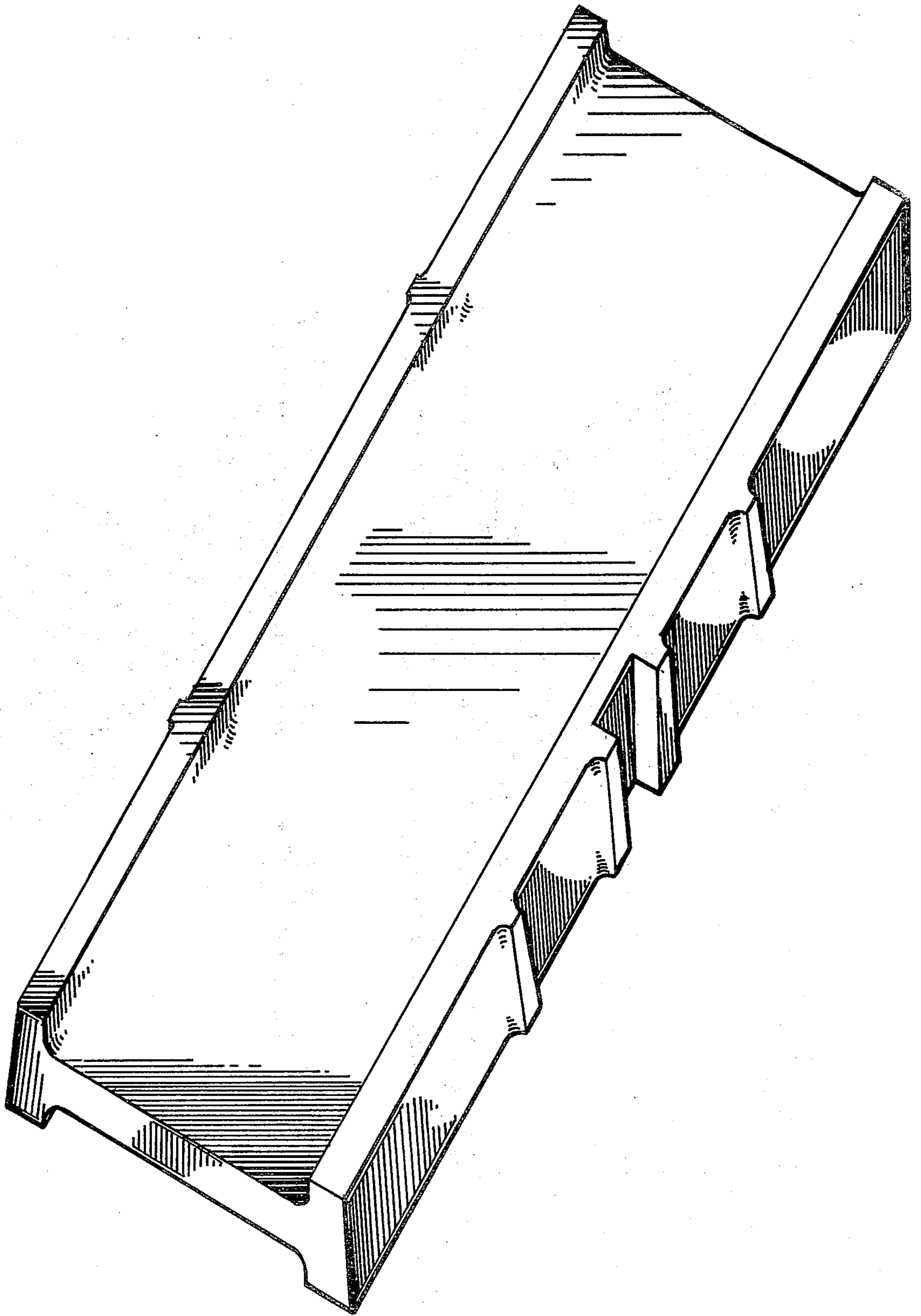


FIG. 7