

[54] ALL-PURPOSE ROW-CROP WHEEL TRACTOR

[76] Inventors: Stepan E. Koval, pereulok Pikhtovy, 3, kv. 40; Oleg D. Tkachenko, pereulok Pikhtovy, 7, kv. 29; Vladimir V. Baranov, prospekt K. Marxa 113, kv. 33; Alexandr I. Kedik, ulitsa Titova, 23, kv. 54; Valentin A. Artemenko, ulitsa Bolshevistskaya, 1 "b", kv. 144; Vladimir K. Drozdov, prospekt Kirova, 123, kv. 54, all of Dnepropetrovsk, U.S.S.R.

[**] Term: 14 Years

[21] Appl. No.: 261,533

[22] Filed: May 7, 1981

[52] U.S. Cl. D15/23

[58] Field of Search D15/23; 180/55, 89.1; 296/177, 194

[56] References Cited

U.S. PATENT DOCUMENTS

D. 258,509 3/1981 Funabashi D15/23

OTHER PUBLICATIONS

Implement & Tractor, vol. 92, #22, Belarus, top of the page, 1975.

Ford Buyer's Guide '72, p. 54, 1972, top of the page. Implement & Tractor, 3/21/73, p. 32, #7050, Allis-Chambers, top of page.

Implement & Tractor, 12/15/72, p. 48, top of the page. Implement & Tractor, p. A-37, 1/31/1978, top of the page, (V93, #3).

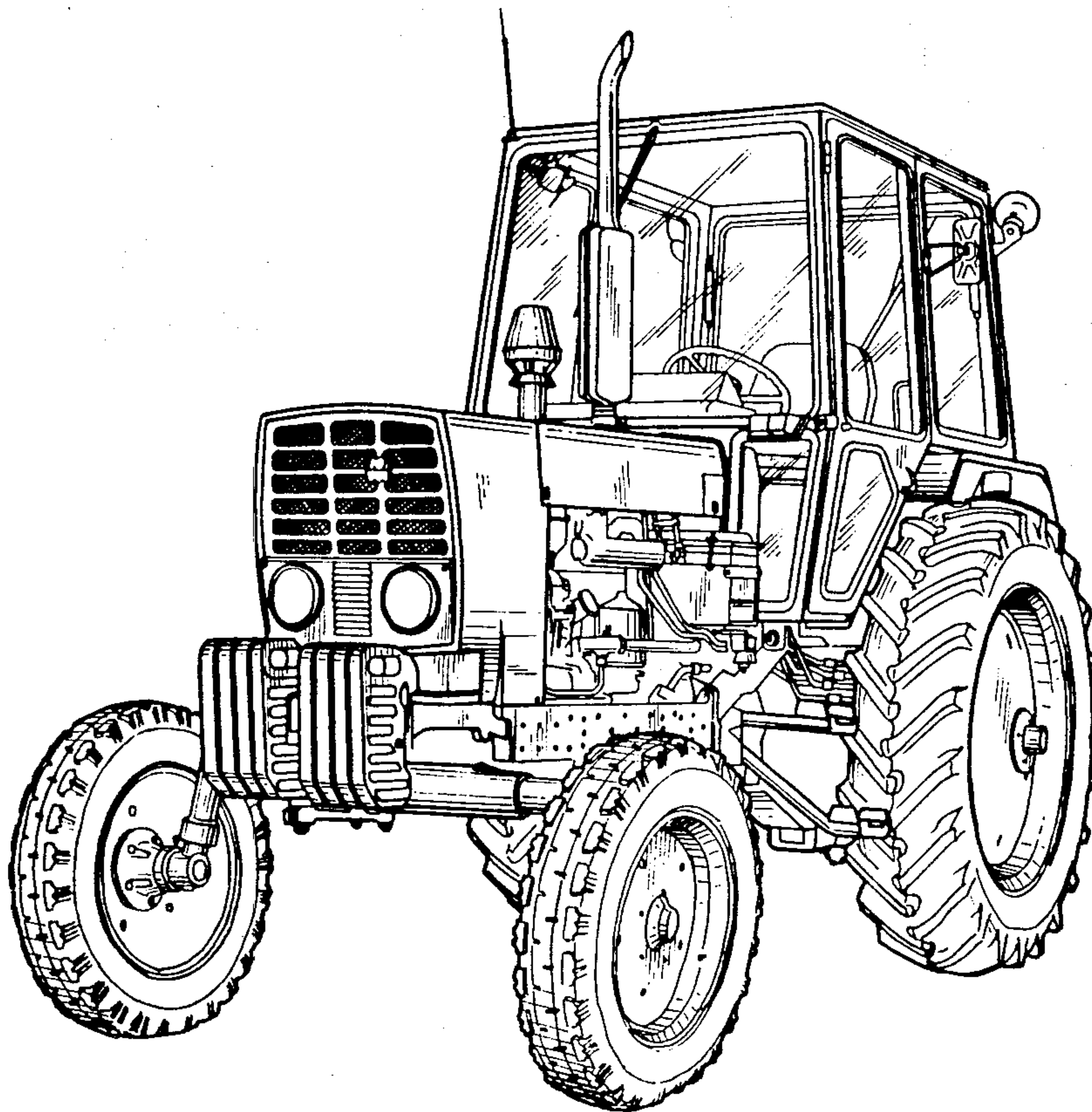
Primary Examiner—W. R. Burke
Assistant Examiner—Suzanne N. Gitlin
Attorney, Agent, or Firm—McAulay, Fields, Fisher, Goldstein & Nissen

[57] CLAIM

The ornamental design for an all-purpose row-crop wheel tractor, as shown.

DESCRIPTION

FIG. 1 is a perspective view of an all-purpose row-crop-wheel tractor showing our new design; FIG. 2 is a side elevational view taken from the right of FIG. 1; FIG. 3 is a front elevational view thereof, the antenna is omitted for convenience of illustration; FIG. 4 is a side elevational view taken from the left of FIG. 1; FIG. 5 is a rear elevational view thereof; and FIG. 6 is a top plan view thereof.



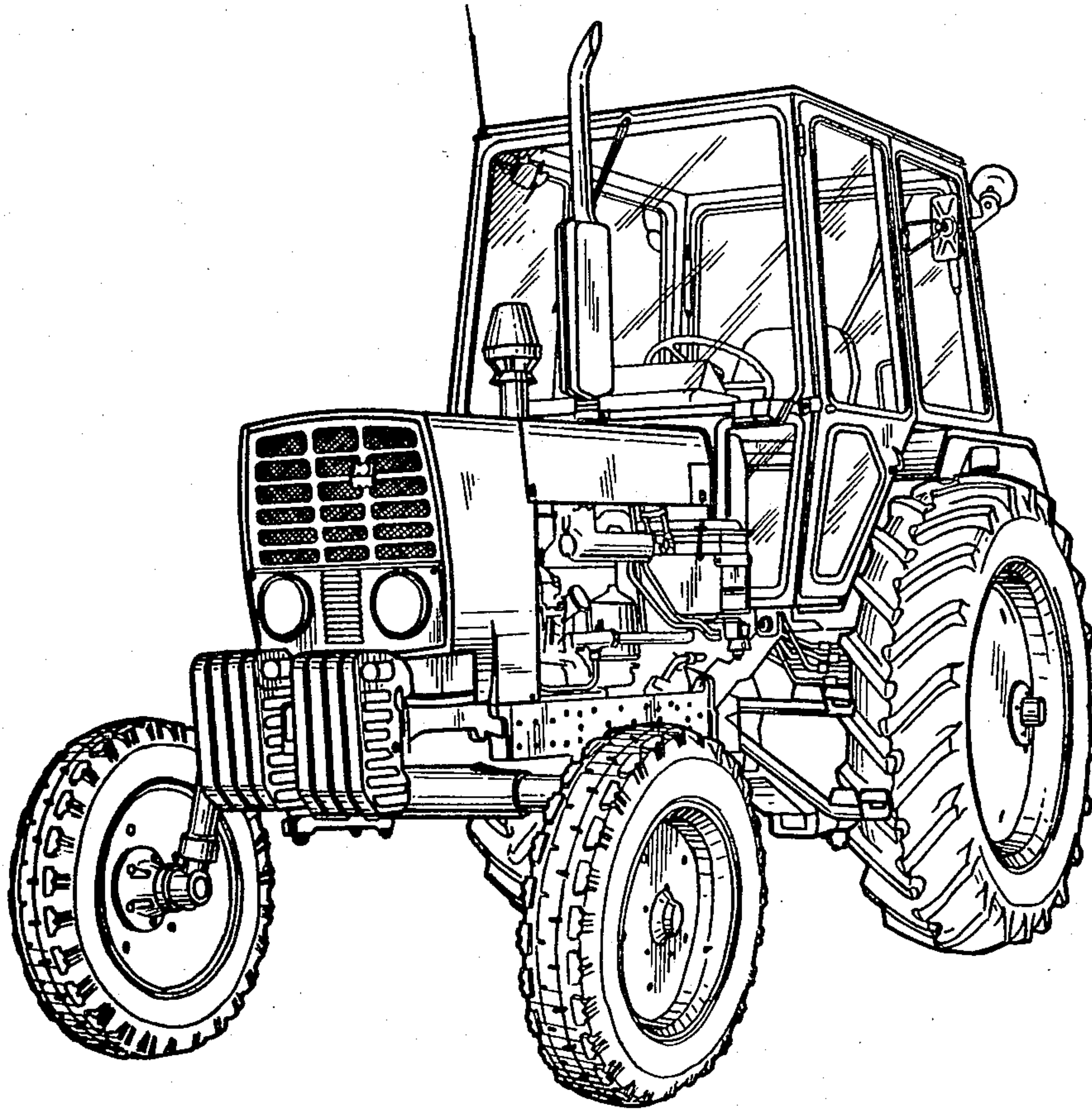


FIG. 1

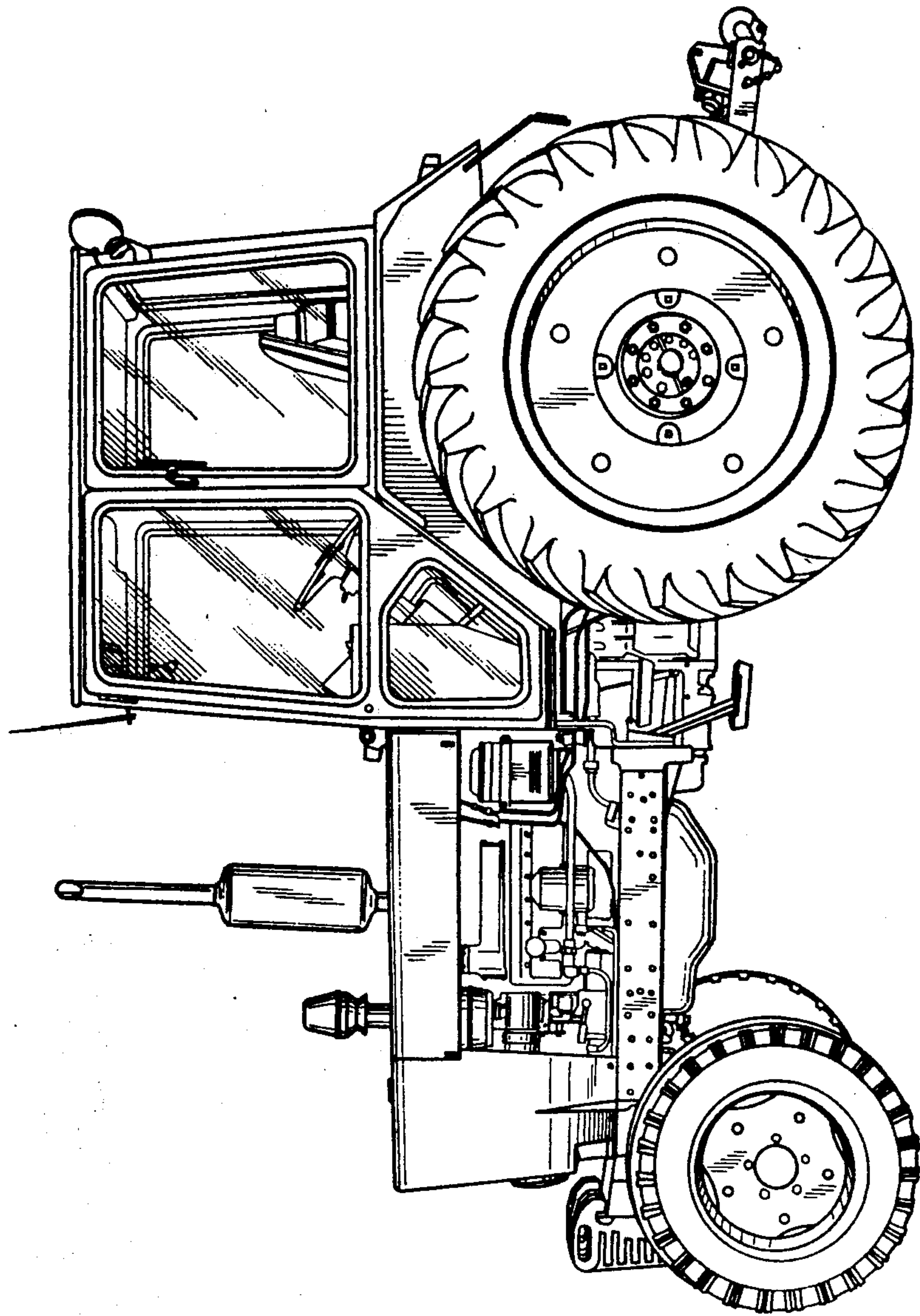


FIG. 2

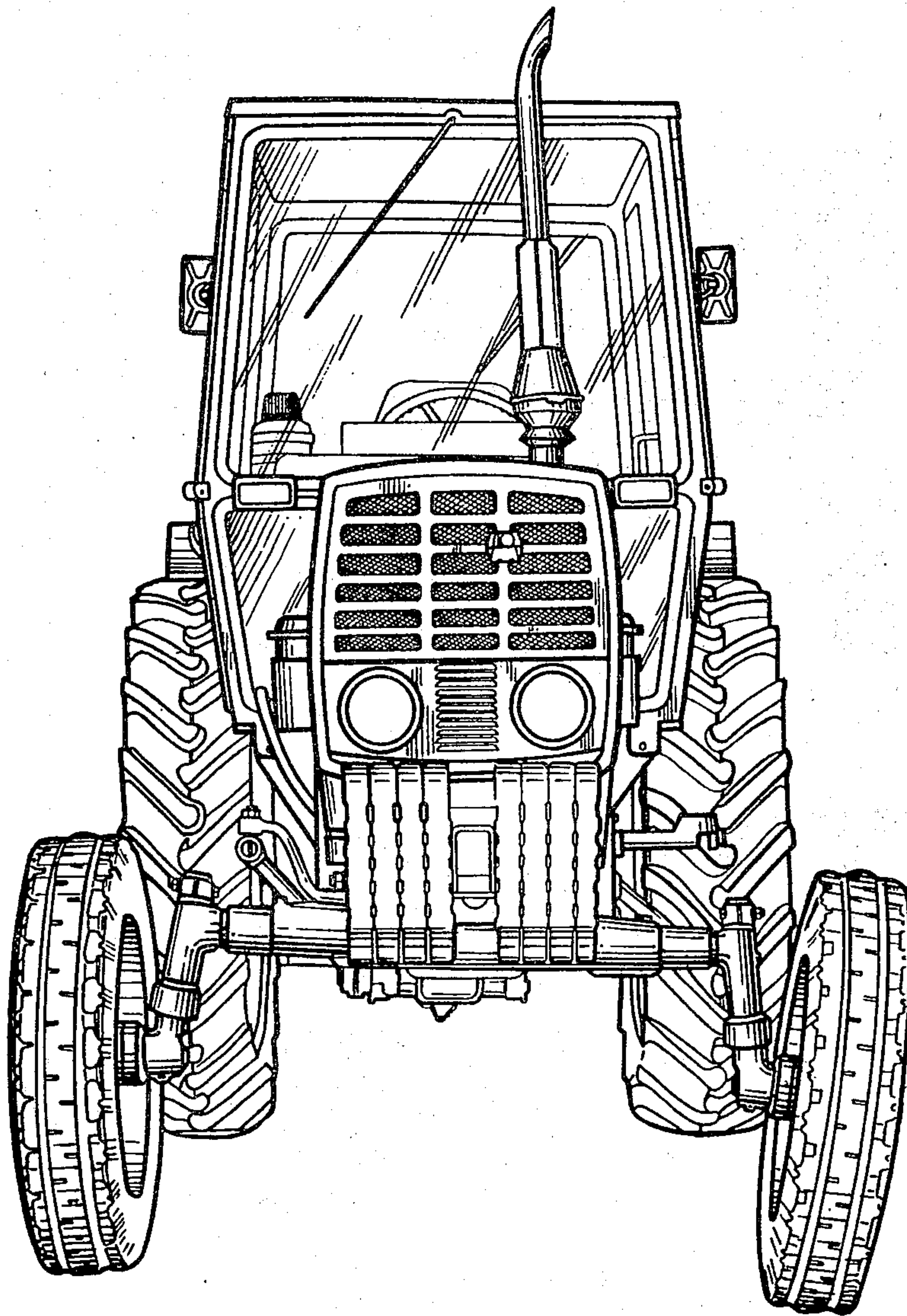


FIG. 3

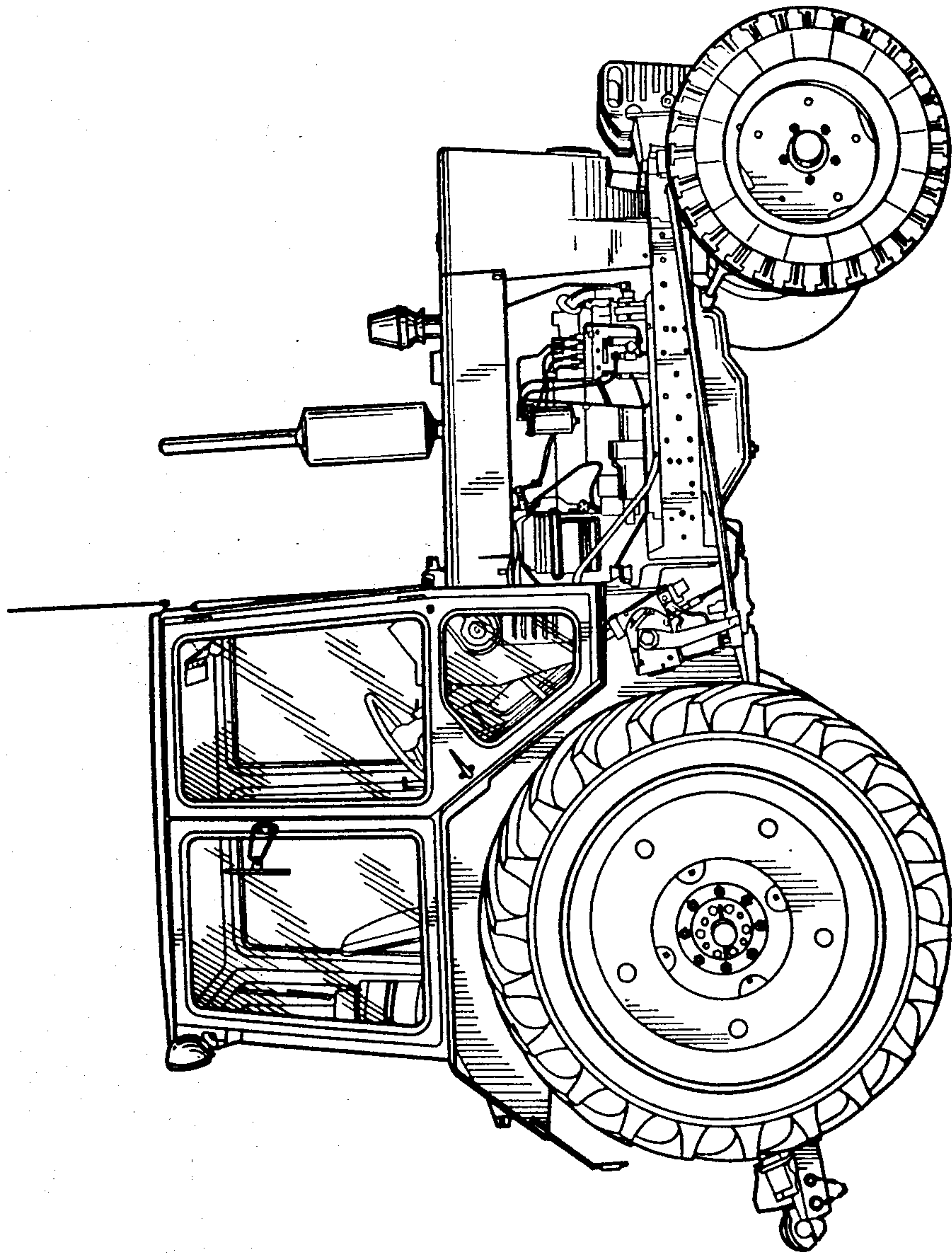


FIG. 4

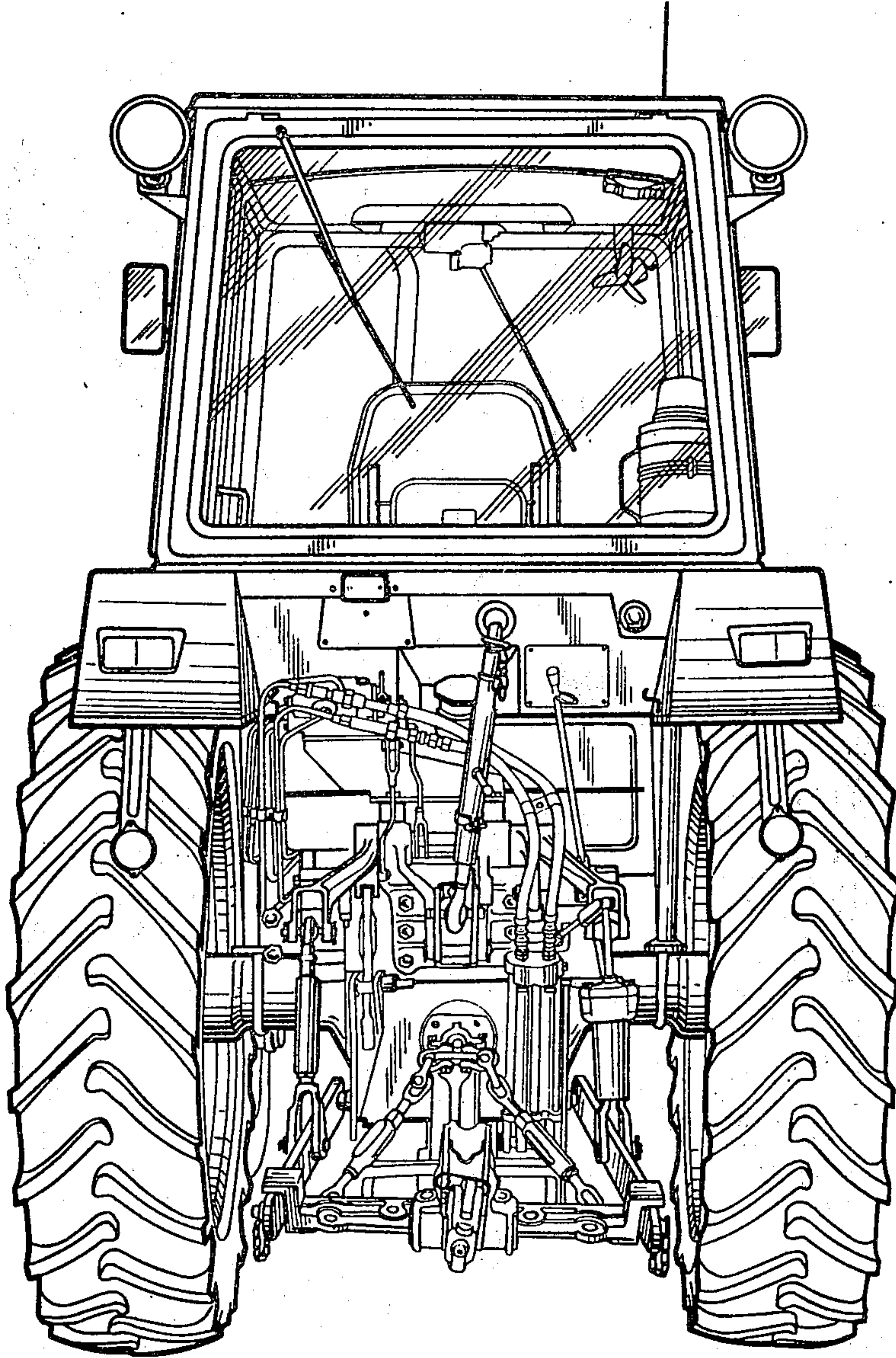


FIG. 5

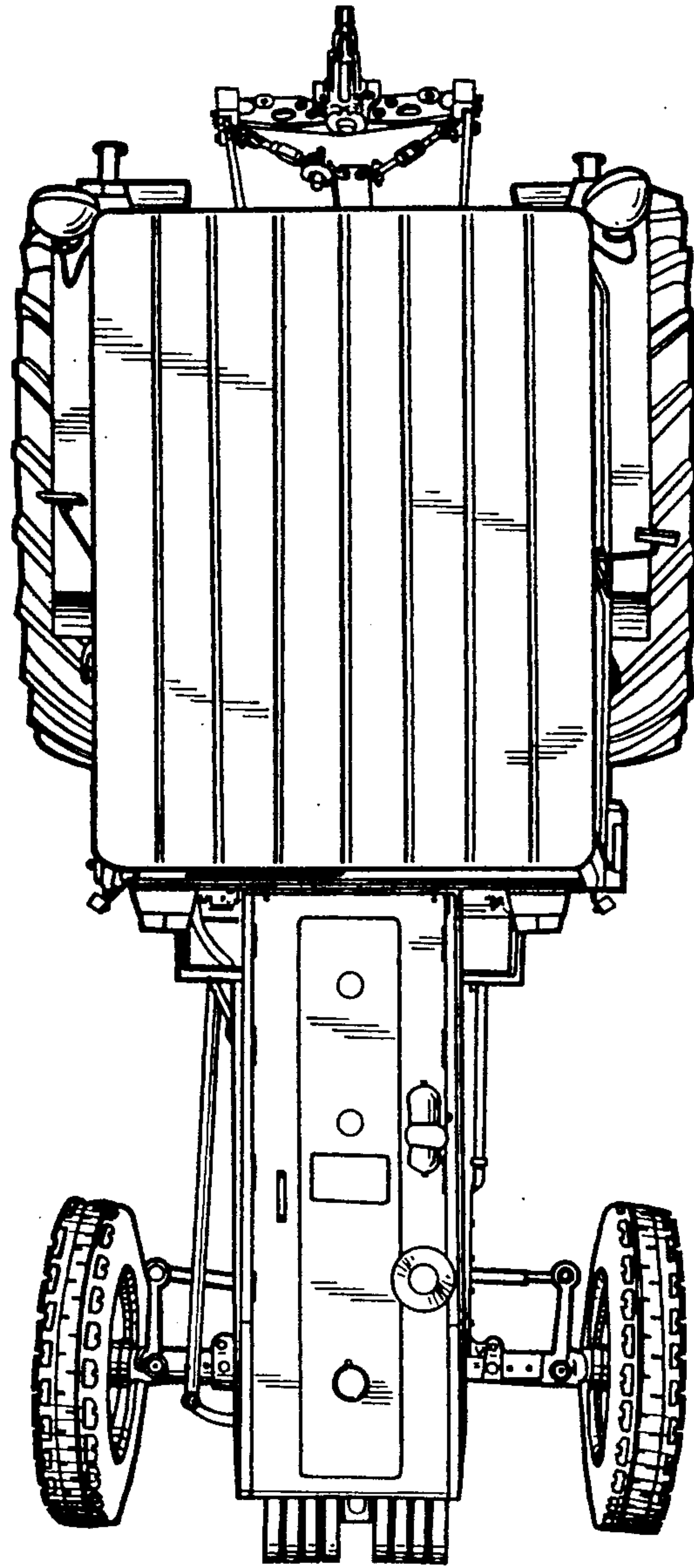


FIG. 6